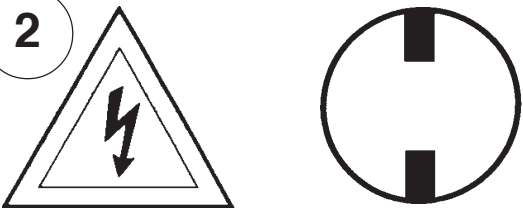


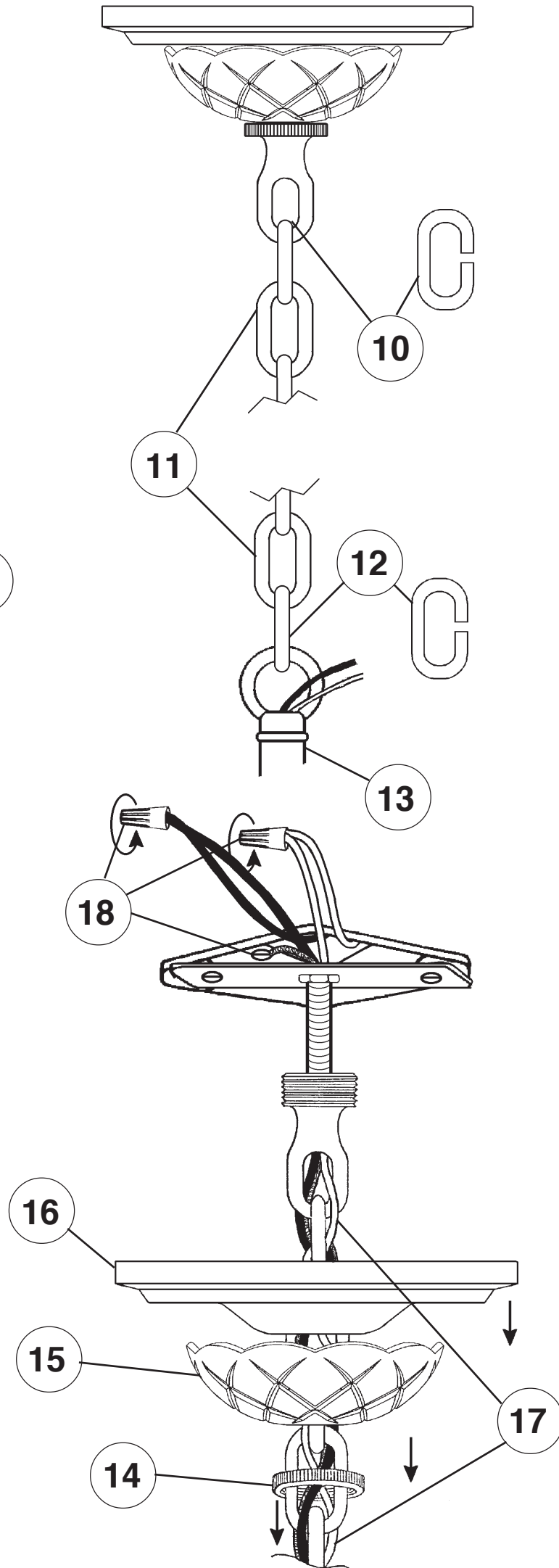
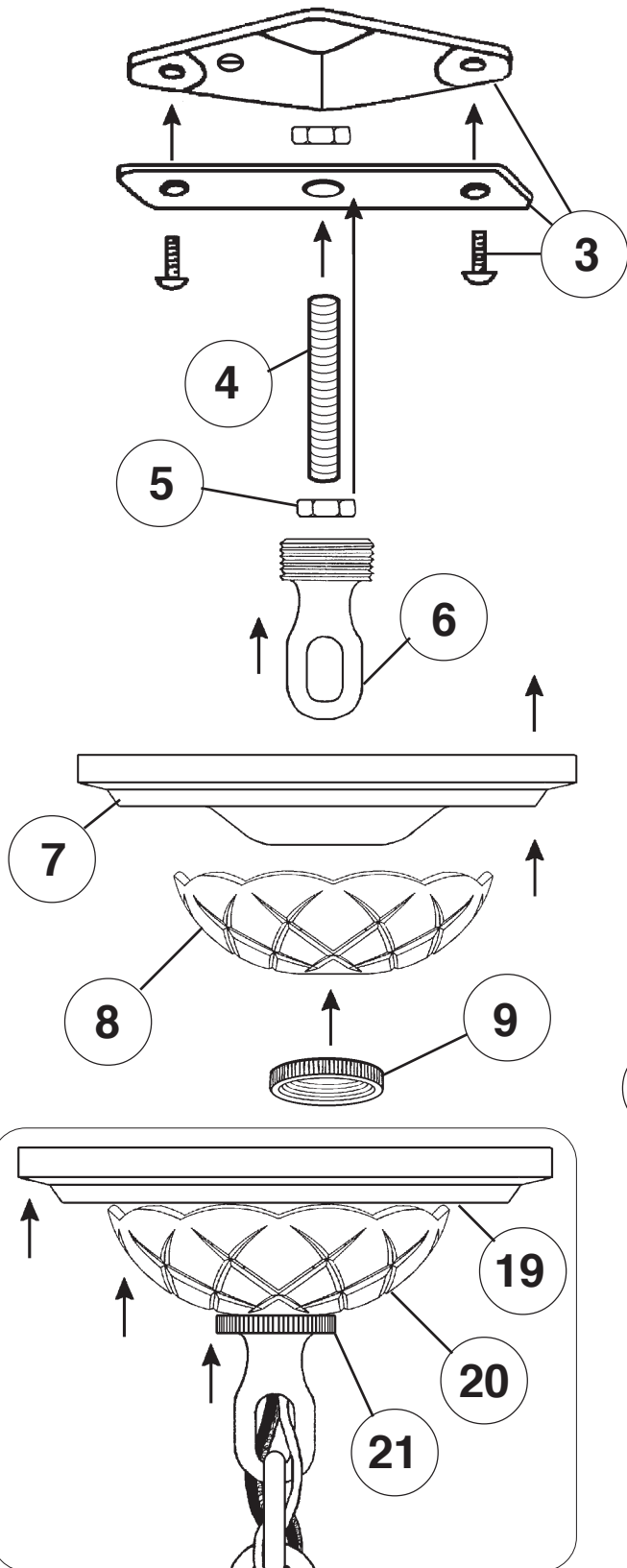
**Instructions for electrician**  
**STEPS 2 - 21**

**WARNING:**

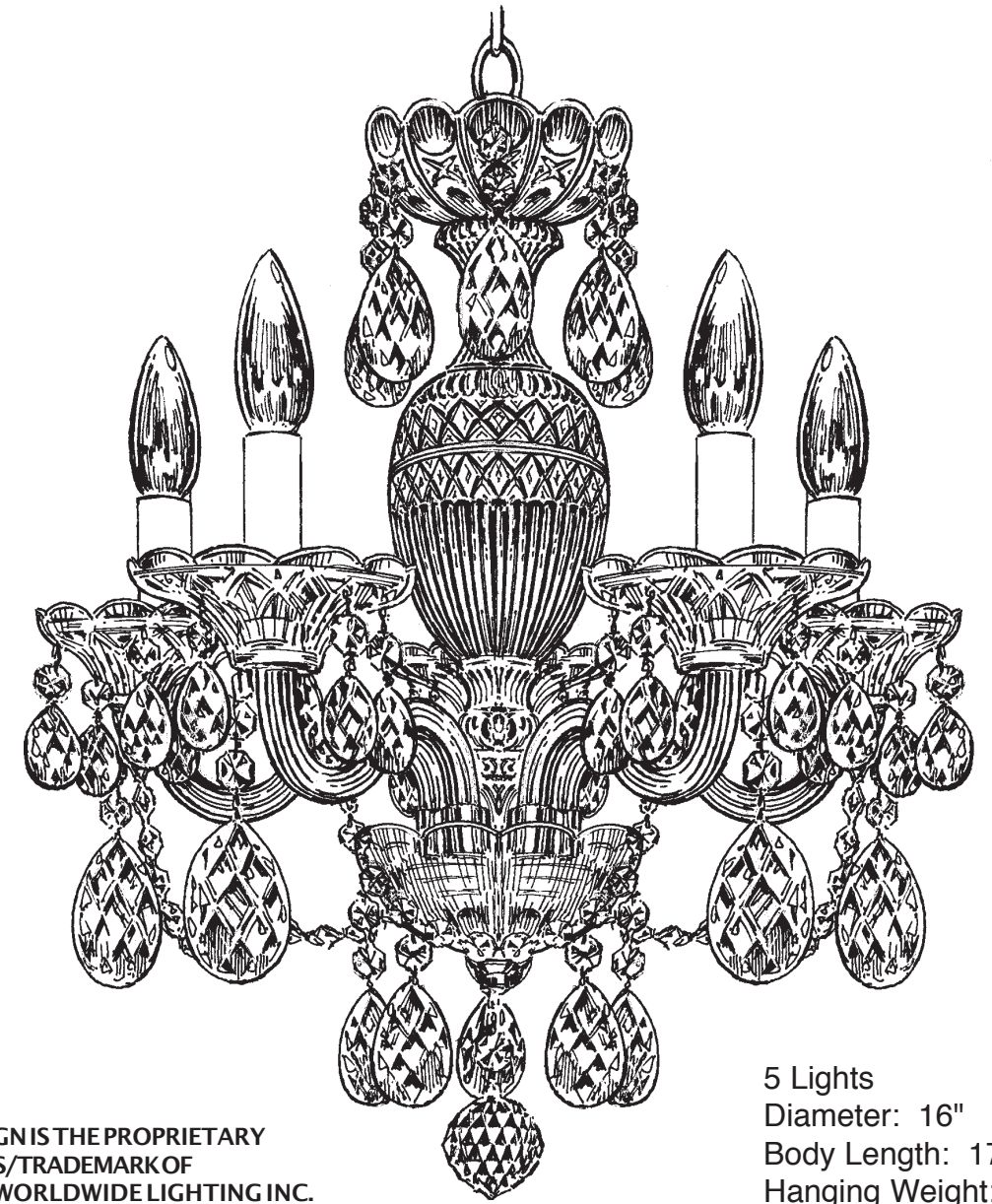


**Electrical Danger Turn Power Off**

All electrical components must be installed by a licensed electrician in accordance with the National Electric Code and the appropriate local electrical codes.



**CHANDELIER 2999-\_\_\_\_H TRIM DIAGRAM**  
(Finish Option)



5 Lights  
Diameter: 16"  
Body Length: 17-1/2"  
Hanging Weight: 10 pounds

**T**HIS DESIGN IS THE PROPRIETARY TRADE DRESS/TRADE MARK OF SCHONBEK WORLDWIDE LIGHTING INC.

**SCHONBEK®**

**See diagram on back page**  
**Follow steps in exact order**  
**Save this trim diagram for future reference**

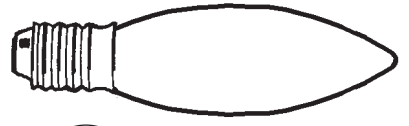
**1**

**IMPORTANT**  
**Person who opens carton should record the following information for future service.**

CODE # \_\_\_\_\_ Four-digit number on outside of carton.  
PACKER # \_\_\_\_\_ See crystal package label.  
ORDER # \_\_\_\_\_ See crystal package label.

# Instructions for crystal trimming

## STEPS 22 - 29




**23**

You will need 5 - C10  
25 Watts Recommended  
60 Watts Max

**Install bulbs and be sure to test fixture BEFORE trimming.**

**22** Install arms into the holes on the washer. Line up holes in arms with dimple in washer. Use lock tapered nut to secure arms in place.

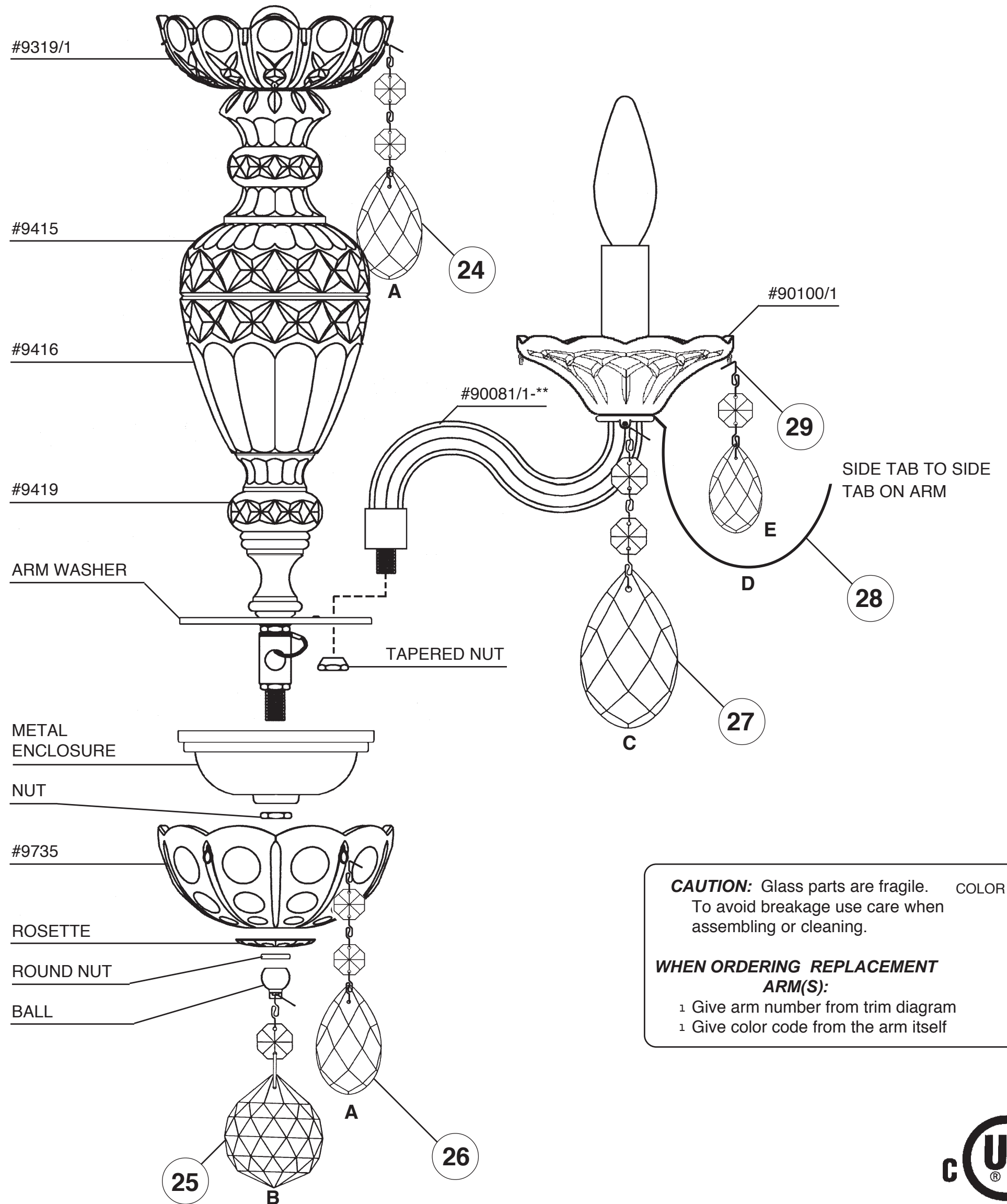


**This end goes up against washer.**

Connect ground wire in each arm to ground wire in center column. **NO MORE THAN 5-WIRES PER WIRE NUT.** Use electrical tape to secure wire nuts. Connect white arm wires to neutral column wire (ribbed or marked is neutral). Connect black arm wires to the power wire in column. Carefully press wires as close as possible to the underside of washer.

Install bobeches, bulbs, connect power and test the fixture **BEFORE** attaching glass assembly. If any of the bulbs do **NOT** light - **DISCONNECT POWER.** Double check the wire connections.

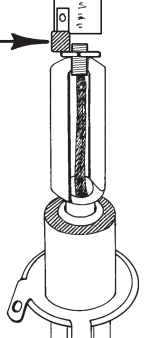
Install running thread into hex coupling. Attach glass assembly with rosette, round nut and ball.



**CAUTION:** Glass parts are fragile. To avoid breakage use care when assembling or cleaning.

**WHEN ORDERING REPLACEMENT ARM(S):**

- 1 Give arm number from trim diagram
- 1 Give color code from the arm itself



COLOR →

