

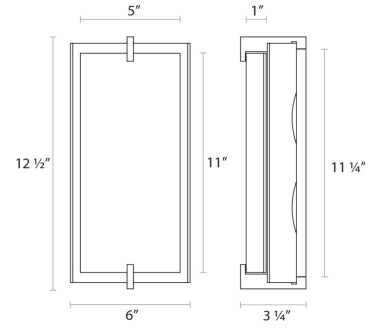
Project:

Double Arc LED Sconce Spec Sheet

SKU: 2452.01 Learn more at:
<https://sonnemanlight.com/double-arc-led-sconce>

Description: Smart sophistication in a modern mood.

Type #:



Dimensions

Height:	12.5"
Width:	6"
Extends:	3.25"
Minimum Extension:	3.25"
Maximum Extension:	3.25"
Size:	Tall
Canopy/Backplate/Base Depth:	5
Canopy/Backplate/Base Height:	11.25

Electrical Specs

Bulb(s) Included?:	Yes
Bulb 1 Type:	Integral LED
Input Voltage:	120VAC
Wattage:	11
Initial Lumens:	720
Color Temperature:	3000K
CRI:	80
Power Supply Type:	120VAC w/Surge Protection
Power Supply Location:	Outlet Box
Dimming Type:	TRIAC/ELV
Bulb Max Wattage:	11

Installation

Installation:	Licensed electrician required
Installation Orientation:	Vertical

Shipping

Carton 1 L x W x H:	15" X 8" X 8"
Carton 1 Gross Weight:	4 LBS

Shade

Shade 1 Material:	Etched Glass
-------------------	--------------

Available Finishes

Available Finishes: Polished Chrome (.01)

General Listings

Certification:	C-ETL-US
Color/Finish:	Polished Chrome (.01)
Dark Sky Friendly:	N