

SPECIFICATIONS:

DESCRIPTION

Outdoor wall sconce features handcrafted European glass.

LAMPING

Standard: 75W A19 120V, *lamps not included.*

CFL: 18W CFL 120V, *lamps not included.*

GU24 CFL: Self-ballasted GU24 lampholders. 18W max, 120V, *lamps not included.*

DIFFUSER

Glass diffuser is hand-painted in various decors with Opal Glossy glass. The Black and Bronze finishes are opaque, while the White is semi-translucent for increased light output. Dimensions are 7" W x 11" H x 4.75" D.

CONSTRUCTION

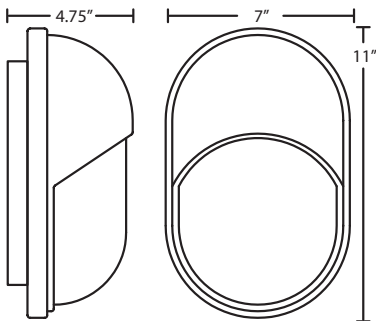
Stamped Stainless steel fitter. Glass is secured by stainless steel set screws.

MOUNTING

Installs directly to a 4" octagonal outlet box, centered on fixture. 75°C supply wire required for incandescent lamping.

LABELS

UL or ETL Listed. Suitable for Wet Locations. May be used in Interior or Exterior applications.



309155
Black



309199
Bronze



309107
White

ORDERING:

3 | 0 | 9 | 1 | | - | | | | |

DECOR

- 07** White/Opal
- 55** Black/Opal
- 99** Bronze/Opal

LAMPING

- (Blank)** 1x 75W A19 (Incan)
- F1** 1x 18W CFL
- GU24** 1x GU24, 18W max

Project Information:

All dimensions provided are nominal. Allowance must be made for dimensional tolerance in handcrafted glasses.