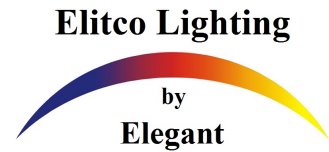


Elitco Lighting

Headquarter: 500-550 E. Erie Avenue Philadelphia, PA 19134
Toll-Free:1-888-388-3390 Tel:(215)423-8880 Fax:(215)423-8882



INSTALLATION INSTRUCTIONS READ THIS FIRST KEEP THESE INSTRUCTIONS

MODEL: W121

Please read these instructions carefully. Luminaires must be installed in accordance with the National Electrical Code (NEC) and local codes. Failure to do so will void the warranty and may result in serious injury and/or damage to the luminaire.

SAFETY WARNING: Luminaire can become very hot depending on lamp wattage used. Lens and metal around lamp can become hot enough to blister hands. Particular care should be taken not to locate luminaires where small children can reach them if high wattage lamps are used.

WARNING: Debris must be kept clear from top and interior of inground fixtures. Excessive heat could occur that may create a fire hazard and/or harm the fixture components. Specific attention must be made to never install inground fixtures in mulch, wood chips or other potentially ignitable materials. For installation in potentially ignitable materials, such as mulch and wood chips, installer must use an above-ground mounted fixture. Failure to do so will void the warranty and may result in serious injury and/or damage to the fixture and/or property.

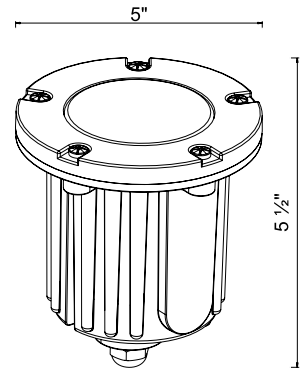
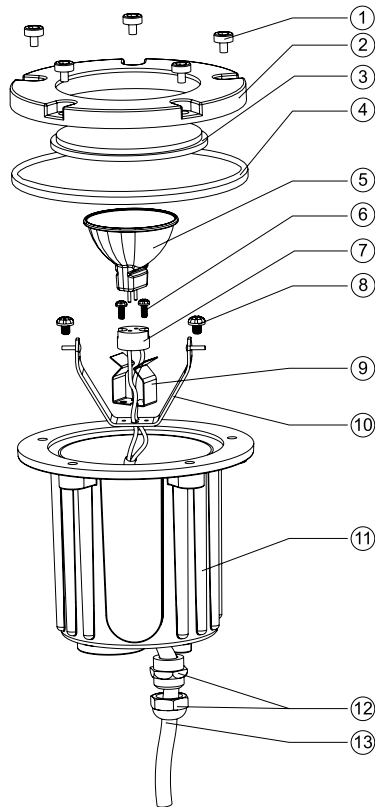
NOTE: LUMINAIRES ARE NOT TO BE INSTALLED WITHIN 10 FT. (3.05M) OF A POOL OR SPA. SECONDARY CABLE IS NOT TO BE BURIED MORE THAN 6" . WHEN USING MULTIPLE LUMINAIRES, LOAD IS NOT TO EXCEED THE TOTAL WATTS OF TRANSFORMER RATING. DO NOT USE EXTENSION CORDS ON POWER UNITS.

NOTE: Always use UL recognized wire connectors for connections.

ASSEMBLY AND INSTALLATION

1. Determine desired location for mounting Luminaires.
2. To prevent electrical shock, disconnect transformer from electrical supply before installation or service.
3. With a screwdriver, loosen cover screws and install lamp into socket. Then put the cover back and tighten the screws.
4. Dig a hole approximately 10" diameter by 8" deep. This allows approximately 3" of pea gravel or sand to surround ABS housing.
5. Strip the two leads from luminaire pigtail wire. Using the wire connectors (not included), connect the leads from the luminaire to the main supply cable leads.
6. Install luminaire in hole and backfill hole after installation with pea gravel or sand.
7. Provide power to luminaire and check for proper operation.

FIXTURE DETAILS:



1. Top Screws 2. Cover 3. Flat Lens 4. Gasket 5. MR16 Halogen/Gu5.3 LED Lamps(Not included)
6.Socket Screws 7. Socket 8. Bracket Screws 9. Lamp Clip 10. Bracket(adjustable)
11.Fixture Housing 12.Wire Connection 13. Wire

IMPORTANT SAFETY INSTRUCTIONS THE LIGHTED LAMP IS HOT!!!

WARNING: TO REDUCE THE RISK OF FIRE, OR INJURY TO PERSONS:

1. Turn off/unplug and allow to cool before replacing lamp.
2. Lamps get hot quickly! Contact only switch/plug when turning on.
3. Do not touch hot lens, guard or enclosure.
4. Keep lamp away from material that may burn.
5. Do not touch the lamp at any time. Use a soft cloth. Oil from the skin may damage lamp.
6. Do not operate luminaire fitting with a missing or damaged cover.

LAMP INSTALLATION/REPLACEMENT:

CAUTION: Do not exceed maximum wattage marked on luminaire label.

1. To prevent electrical shock, disconnect transformer from electrical supply before service.
2. Take the cover out from the ABS housing.
3. Replace lamp with correct wattage and type marked on fixture label.
4. Install the lamp to socket, and then put the cover back to housing, tighten screws evenly and securely.