

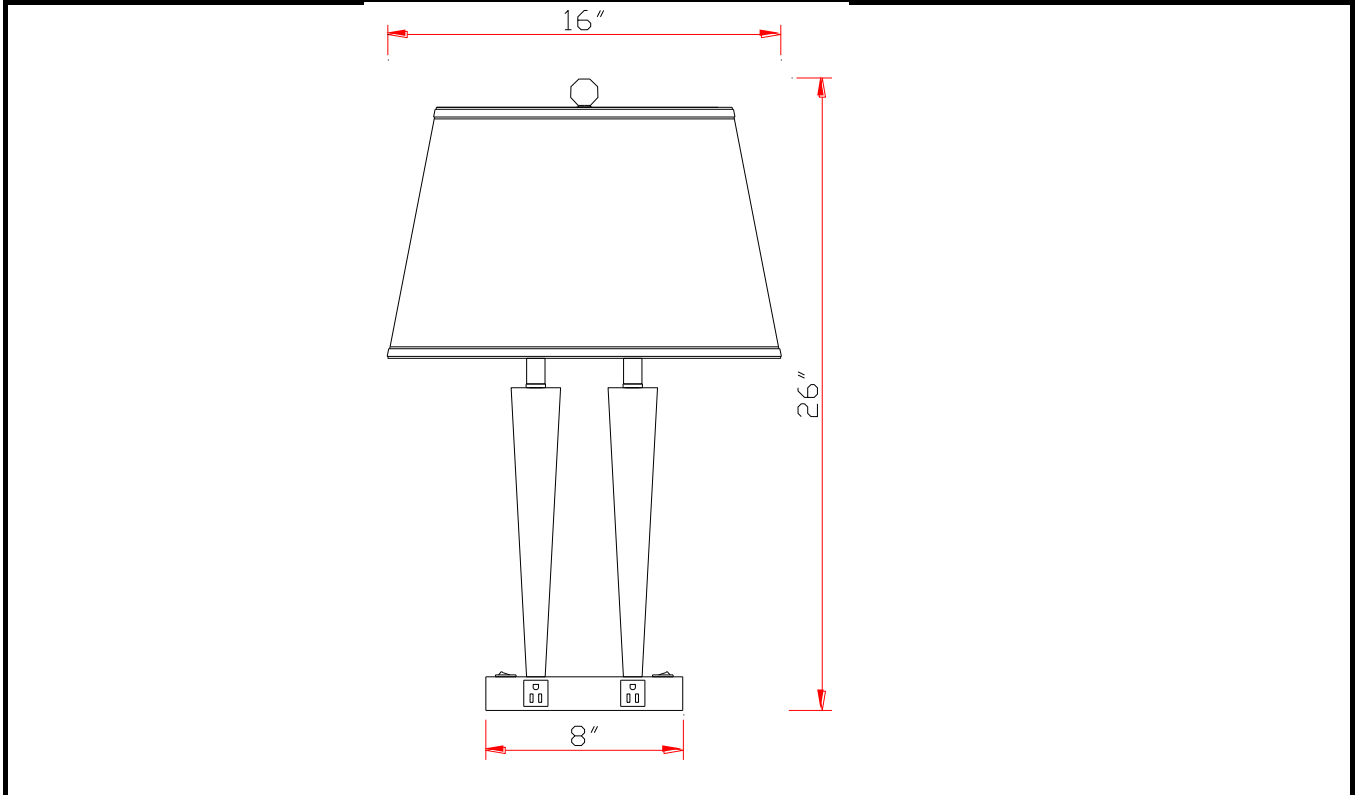


# CAL LIGHTING

3625 E. Philadelphia St. Ontario CA. 91761 • Tel: 909.947.5200 • Fax:  
909.947.5673 • www.calighting.com • service@calighting.com • Specifications  
subject to change without notice

Type: \_\_\_\_\_  
Project: \_\_\_\_\_  
Catalog No.: \_\_\_\_\_  
Lamp/Wattage: \_\_\_\_\_

## Drawing:



**Model No:** LA-2025DK-2RBW  
**Description:** 60Wx2 Murcia metal desk lamp rocker base switch  
**Material:** Metal  
**Finish :** Brushed Steel/Wood  
**Height:** 26"  
**Base Width:** 8" x 6"  
**Harp Size:** N/A  
**Wattage :** 60W x 2  
**Socket :** Medium Base (E26) x2  
**Switch:** Rocker base switch  
**Bulb:** Incandescent, CFL  
**Power Outlet:** 2  
**Ethernet Jack:** None  
**Cord:** SVT 18#  
**Cord Length:** 6'  
**Cord Color:** BLACK  
**Shade No:** SH-1263  
**Material:** Fabric  
**Shade size:** (12"+9")\*(16"+12")\*10 1/2"

**Certificate :**

