



CAL LIGHTING

3625 E. Philadelphia St. Ontario CA. 91761 • Tel: 909.947.5200 • Fax:
909.947.5673 • www.calighting.com • service@calighting.com • Specifications
subject to change without notice

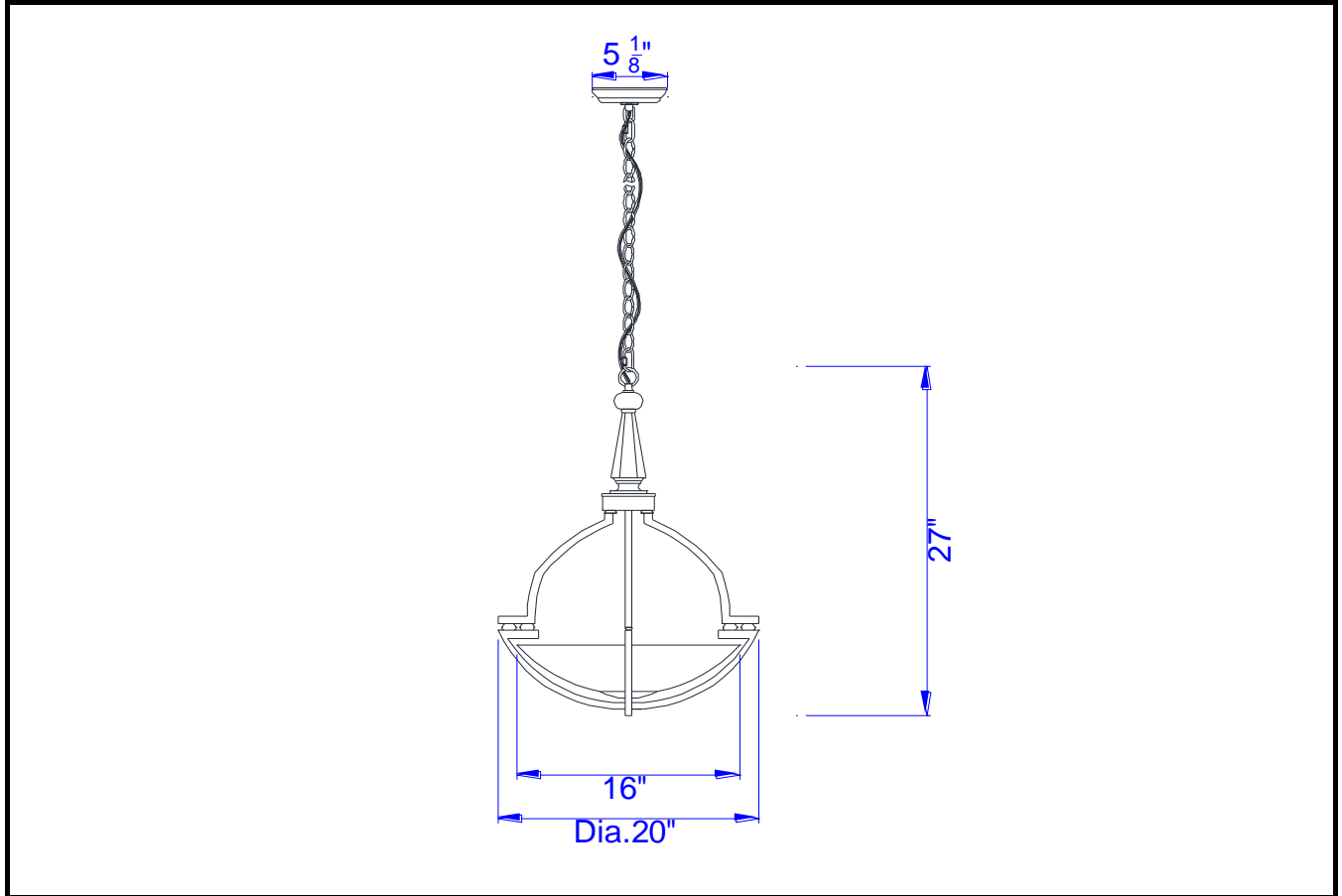
Type: _____

Project: _____

Catalog No.: _____

Lamp/Wattage: _____

Drawing:



Model No: FX-3552/1P
Description: Hand-forged Iron Beverly Pendant Fixture with Glass Shades
Material: Metal/Glass
Finish : Oil Rubbled Bronze
Height: 27"
Width: 20"
Wattage : 60W x 3
Socket : Medium Base (E26)
Bulb: Incandescent
Chain Length: 6'
Wire Length: 10'
Wire Color: Black
Shade No:
Material: Glass
Shade size: Dia.16"

Certificate :

