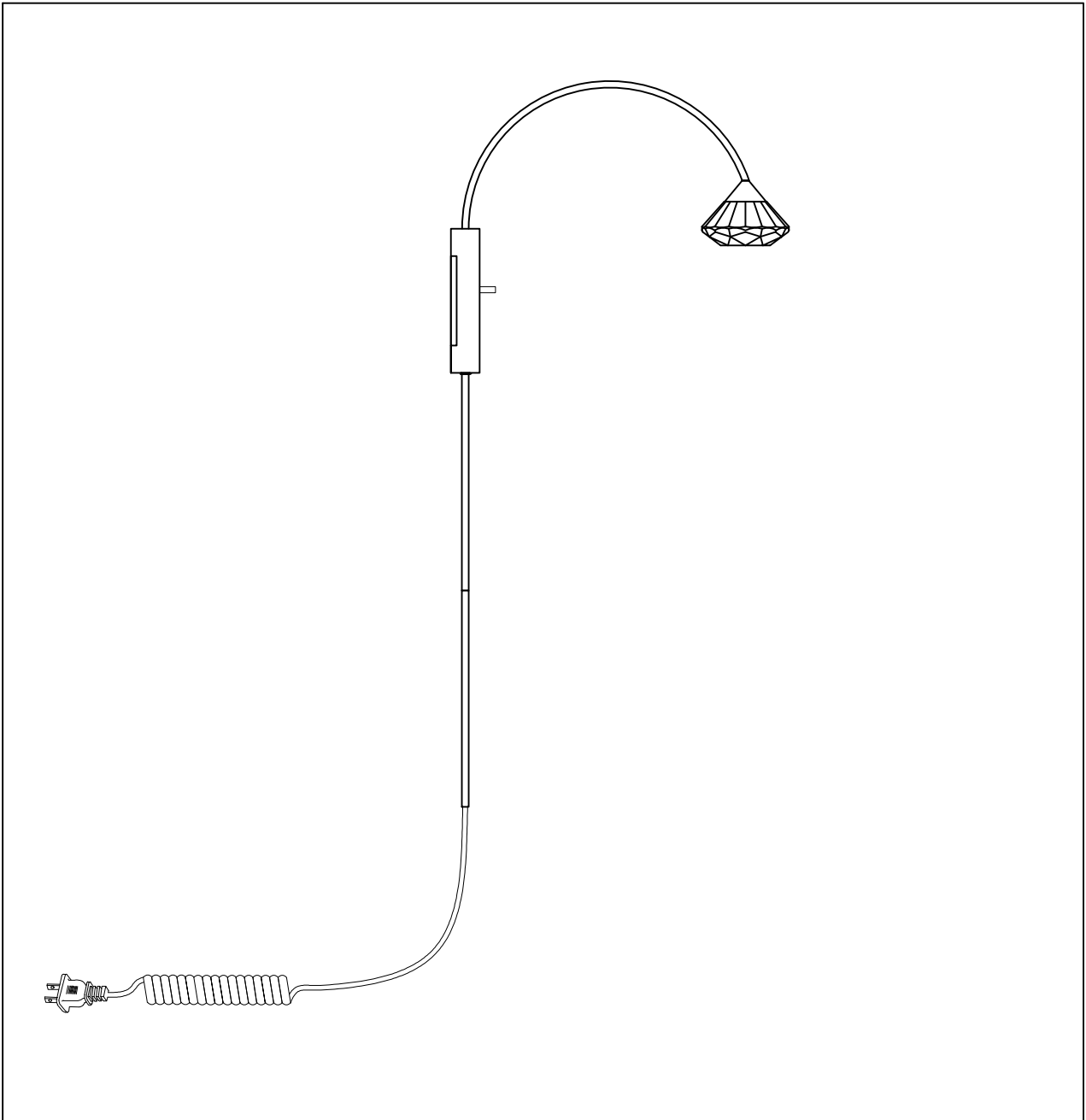


Contemporary Lighting™

PRODUCT NAME: Hope 1LT Wall
ITEM NUMBER: E24809

Please consult your electrician for hanging fixture and wiring.



Bulbs (Included):1*LED*3W

IMPORTANT: Turn off the power at the main fuse or circuit breaker box before starting installation



Bracket (A)

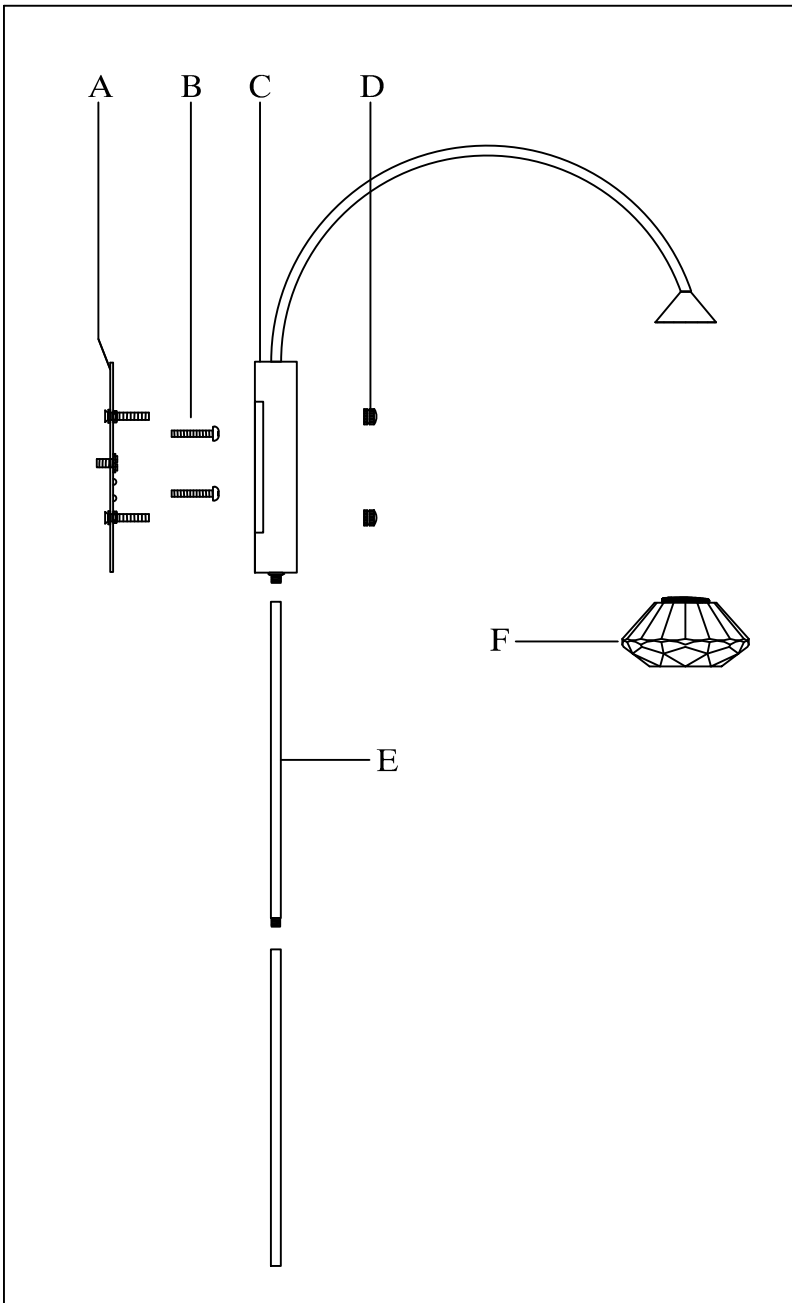


Mounting Screws(B)

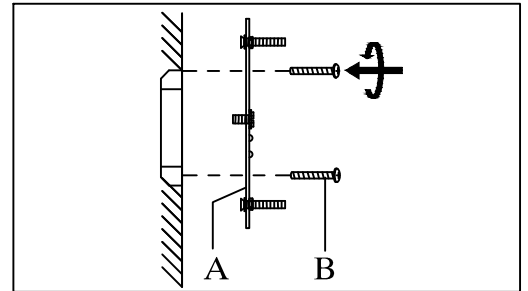


Back plate(C)

Locate all hardware & components before discarding packaging

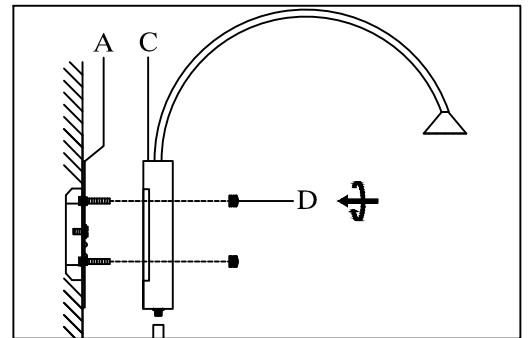


1.)



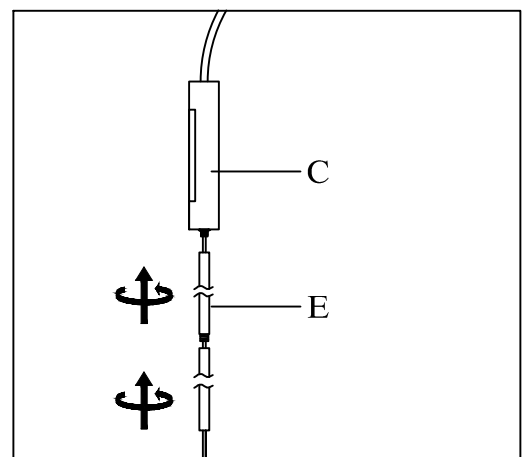
Step1 :Remove mounting bracket from fixture and install to electrical box.

2.)



Step3 :Install fixture to bracket(A) and Decorative Nut(D) at the ends of the Back plate(C) to secure.

3.)



Step4 :Install Hanger(E) into Back plate(C).

Cleaning & Care:
Clean with soft cloth and a mild detergent.
Do not use abrasive cleaner.

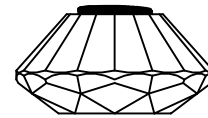
IMPORTANT: Turn off the power at the main fuse or circuit breaker box before starting installation



Decorative Nut(D)

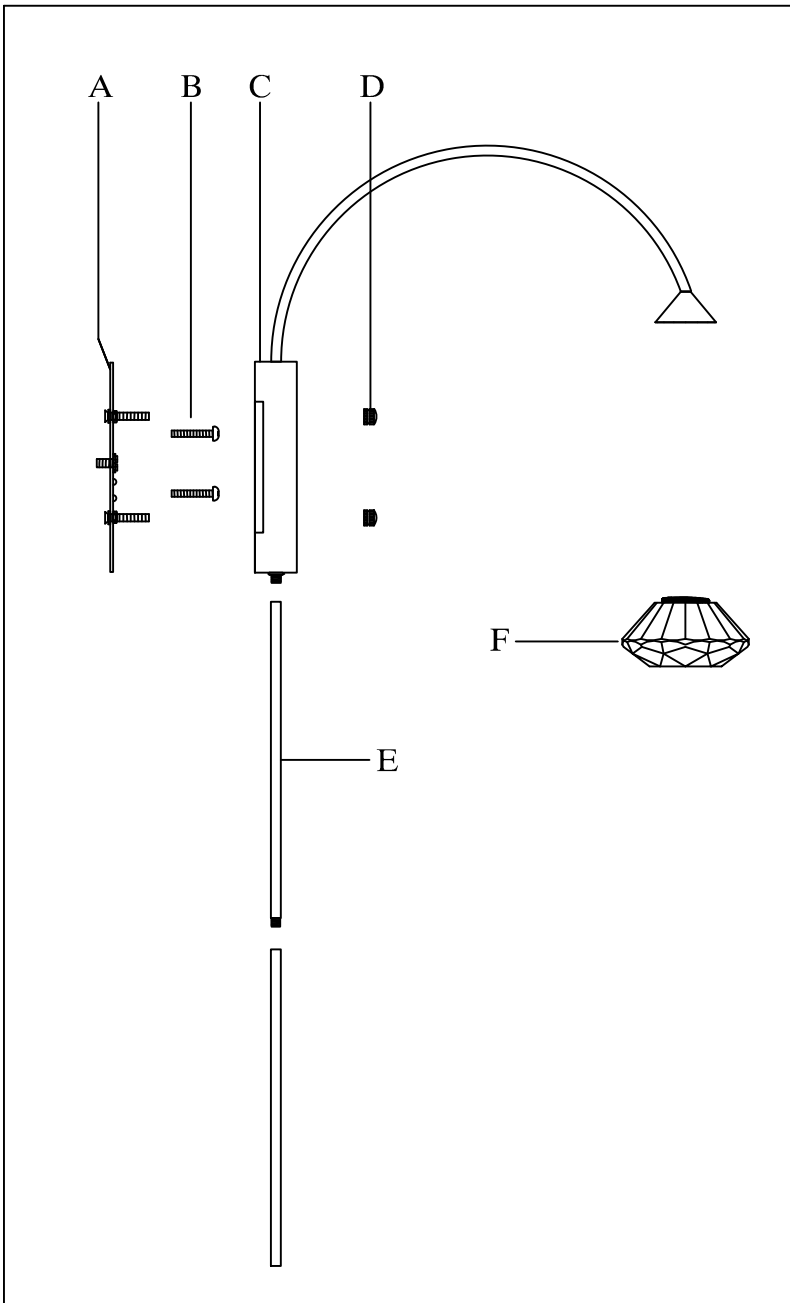


Hanger (E)

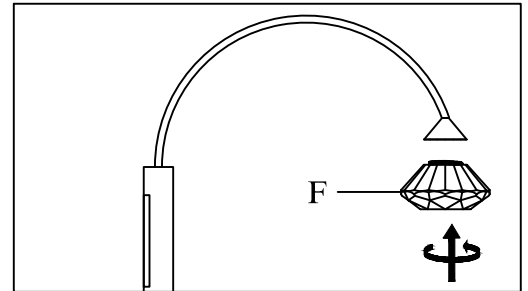


Acrylic(F)

Locate all hardware & components before discarding packaging

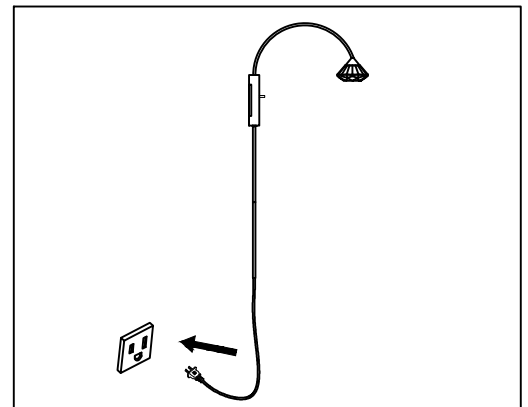


4.)



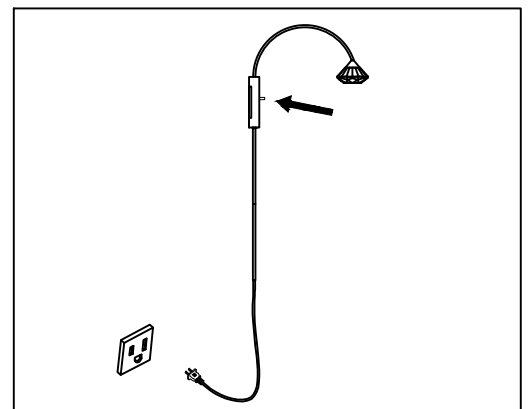
Step4 :Attach acrylic (G) shade to light source.

5.)



Step 5: Use plug to power Wall lamp

6.)



Step 6: Press switch to operate lamp

Cleaning & Care:
Clean with soft cloth and a mild detergent.
Do not use abrasive cleaner.