

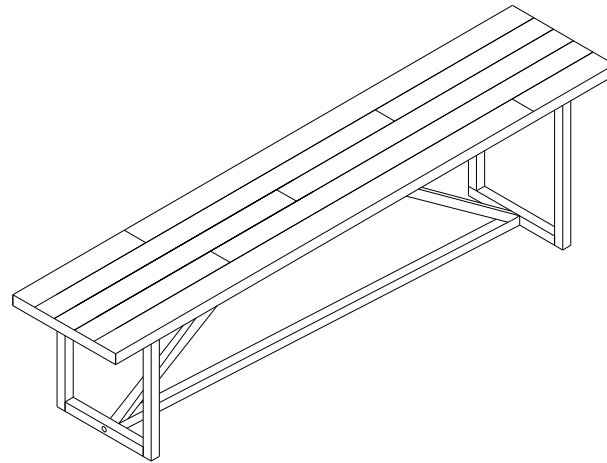
MOE'S

home collection

ASSEMBLY INSTRUCTIONS.

SIERRA BENCH





FR-1018-23









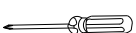
THANK YOU FOR YOUR PURCHASE!

PARTS AND HARDWARE.

PARTS LIST

NO.	DESCRIPTION	IMAGE	Q'TY
P1	SEAT FRAME		1
P2	LEGS FRAMES		2
P3	SUPPORT BAR		2
P4	STRETCHER		1

HARDWARE LIST

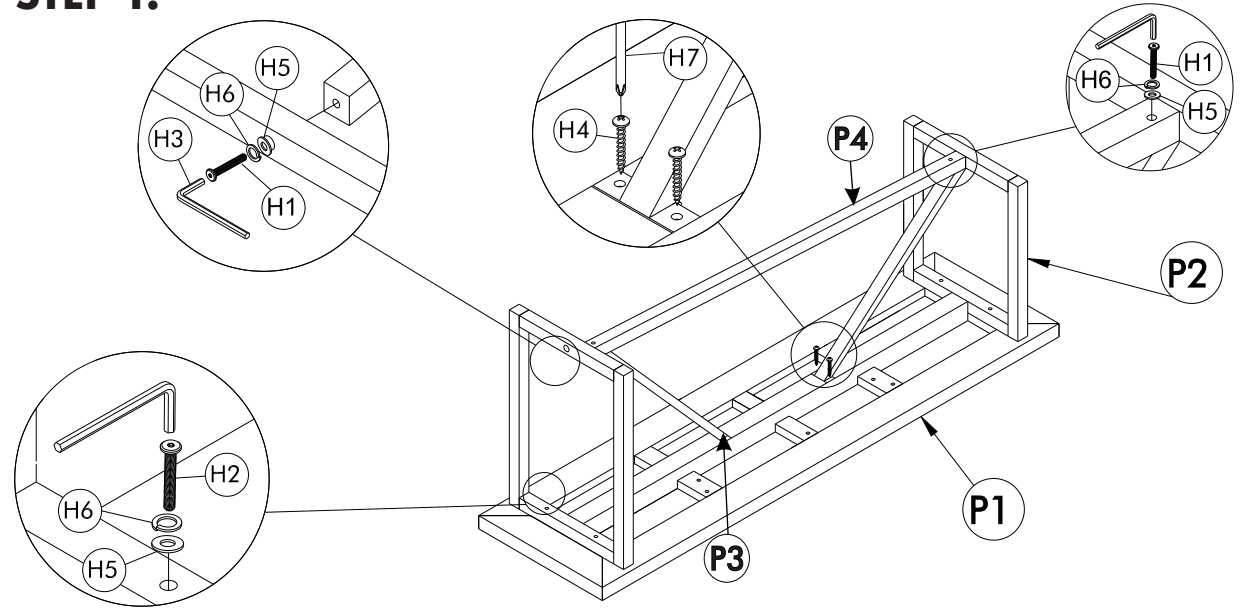
NO.	DESCRIPTION	IMAGE	Q'TY
H1	BOLT M8x40		4
H2	BOLT M8x50		4
H3	ALLEN KEY M4		1
H4	SCREWS Ø4x25		4
H5	FLAT WASHER M8		8
H6	SPRING WASHER		8
H7	SCREW DRIVER		NOT PROVIDE

NOTES.

Thank you for purchasing this quality product! Be sure to check all packing material carefully for small part that may have come loose inside the carton during shipping.

CAUTION: The item is heavy, assembly should be performed by two people.

STEP 1.



STEP 2.

