



CAL LIGHTING

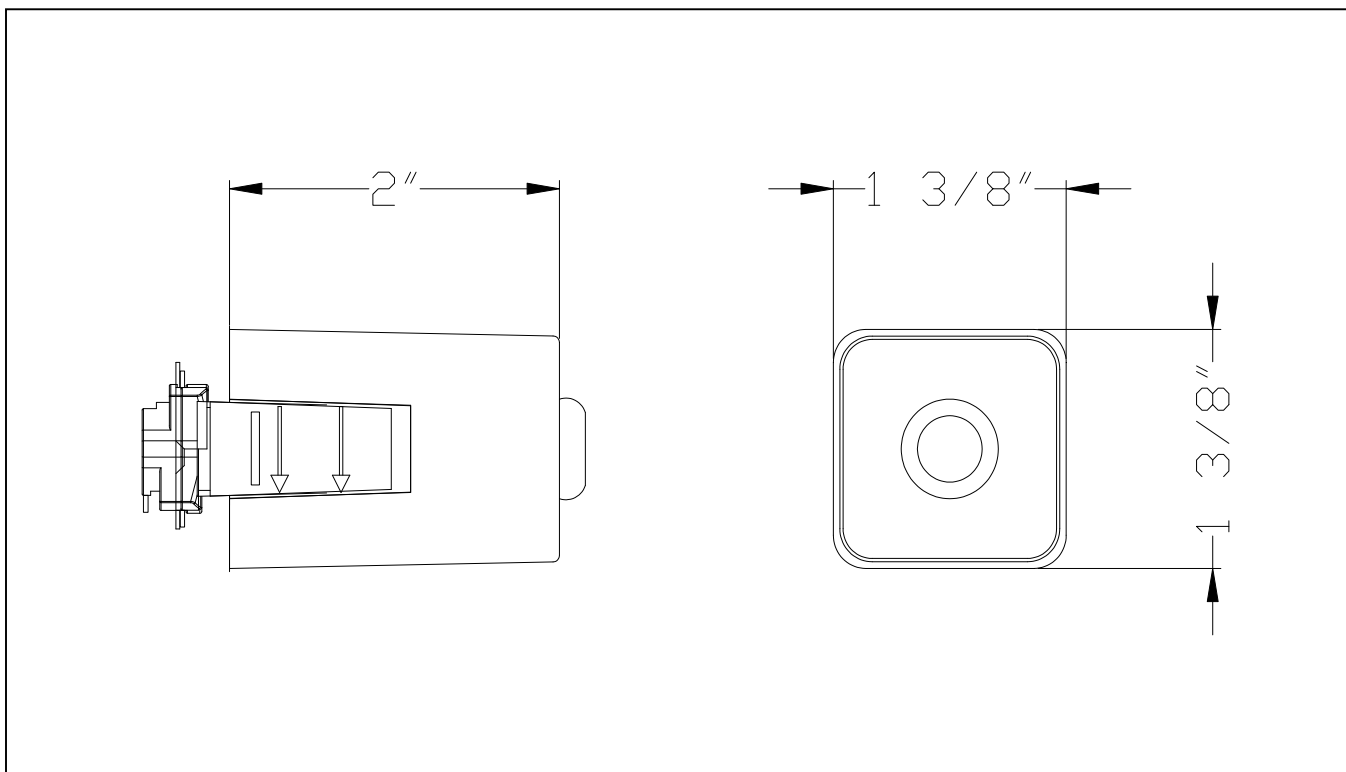
3625 E. Philadelphia St. Ontario CA. 91761 • Tel: 909.947.5200 • Fax:
909.947.5673 • www.calighting.com • service@calighting.com •
Specifications subject to change without notice

Type: _____

Project: _____

Catalog No.: _____

Lamp/Wattage: _____



Model No. : HT-PN-ADOPT

Description : 8 LBS 100Watt pendant cord adapter

Voltage :

Ampere:

Finish : BK (black), WH (white), RU (rust), DB (dark bronze), BS (brushed steel)

Certificate : 