
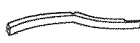






Assembly Instructions

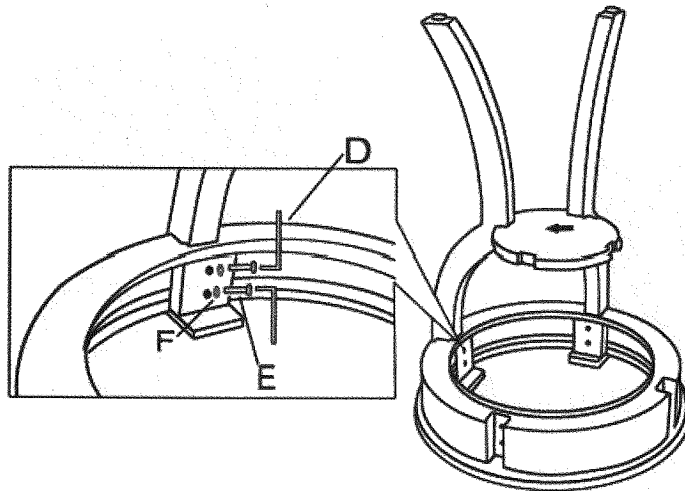
Description: Flower stand

Take out all the parts and hardware and identify each part as shown. It may help you as you assemble the flower stand.

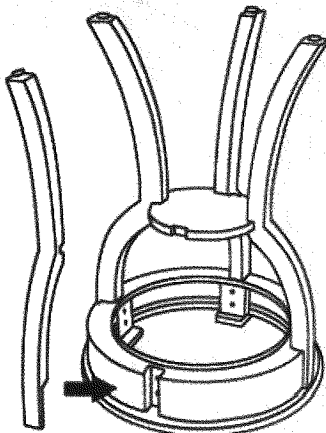
ITEM	PART	DESC.	QTY
A		Top	1
B		Wood Leg	4
C		wood shelf	1

ITEM	PART	DESC.	QTY
D		Allen Wrench	1
E		Screw	8
F		Flat Washer	8

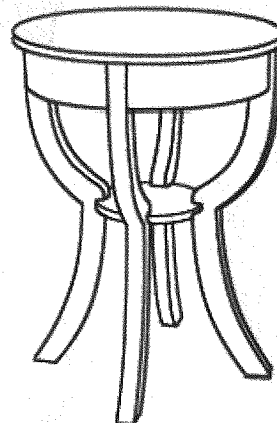
STEP ONE



STEP TWO



STEP THREE



Finished product