



# CAL LIGHTING

3625 E. Philadelphia St. Ontario CA. 91761 • Tel: 909.947.5200 • Fax:  
909.947.5673 • www.calighting.com • service@calighting.com •  
Specifications subject to change without notice

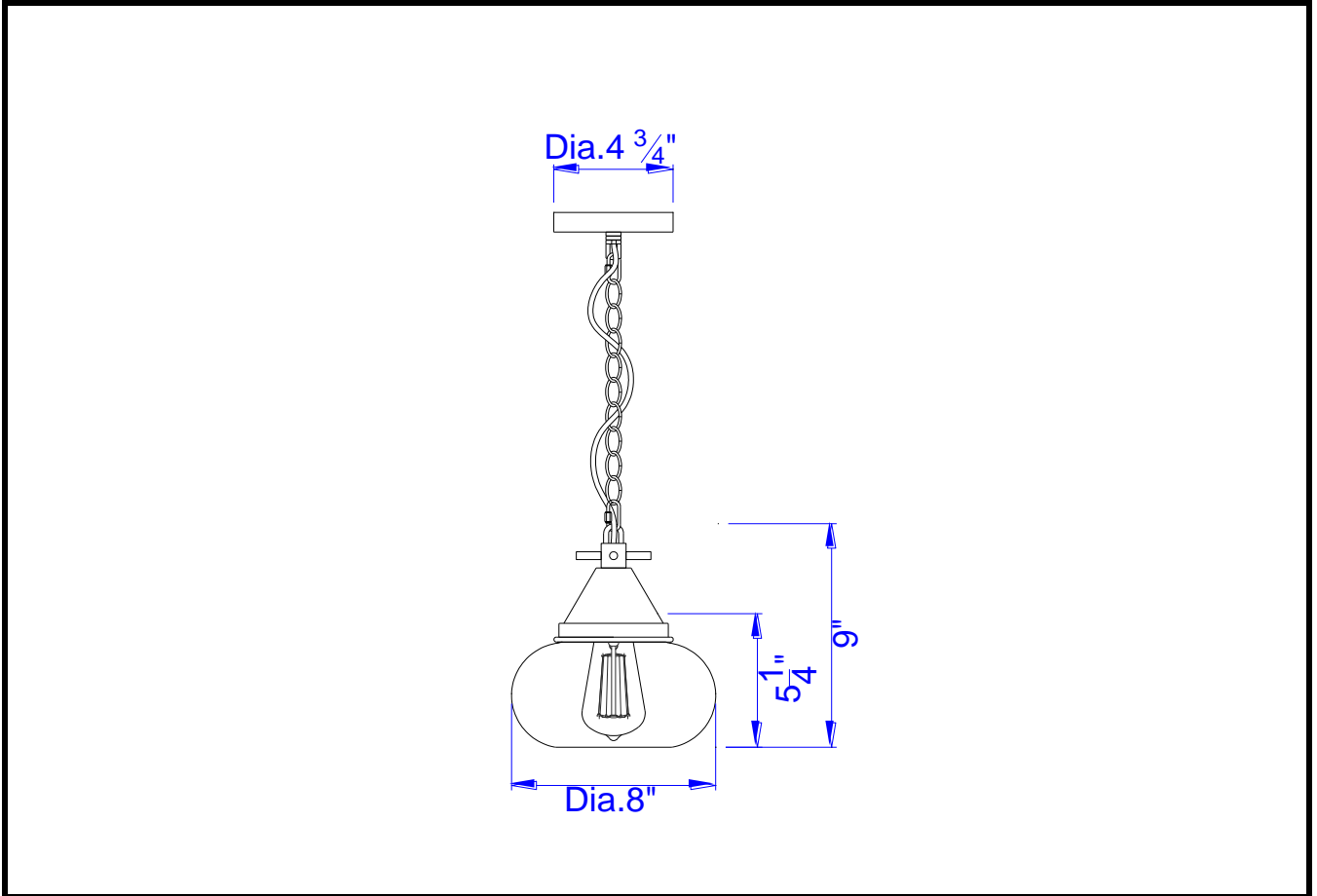
Type: \_\_\_\_\_

Project: \_\_\_\_\_

Catalog No.: \_\_\_\_\_

Lamp/Wattage: \_\_\_\_\_

Drawing:



**Model No:** FX-3624-1P  
**Description:** 60W Maywood glass mini pendant  
**Material:** Metal  
**Finish :** Chrome  
**Height:** 9"  
**Width:** 8"  
**Wattage :** 60W  
**Socket :** Medium Base (E26)  
**Bulb:** Incandescent,CFL  
**Chain Length:** 6'  
**Wire Length:** 10'  
**Wire Color:** Silver  
**Shade No:**  
**Material:** Glass  
**Shade size:** Dia8" x H5 1/4"

**Certificate :**

