

Stock Code: **52042LEDDL-BS**

Collection: Viper

PRODUCT INFORMATION

Base: 52042 Parent: 52042LEDDL
Mounting Type: Ceiling UPC: 641594211054
Finish: Brushed Steel
Diffuser: N/A

PRODUCT MEASUREMENTS

FIXTURE	BACKPLATE / CANOPY
Length: 51.5"	Length 5.25"
Width: 5.25"	Width: 8"
Diameter	Diameter:
Height: 10"	Height: 1.5"
Extension:	
Overall Height:	

TECHNICAL SPECIFICATIONS

SPECIFICATIONS

Frame Material: Metal
 Diffuser Material: N/A
 Lamping Type: GU-10 (Replaceable LE Jbox: Standard
 Lamping Base: GU-10 Lamp Wattage: 5.3 W
 Lamp Quantity: 5 Total Wattage: 26.5 W
 Voltage: 120v Lamps Included: Yes

QUALIFICATIONS

Location Rating Dry
 Certification: ETL (US/Canada) Listed
 ADA Compliant: No Energy Star: No
 JA8 Compliant: No Emergency Lighting: No
 Marine Grade: No Warranty: 1 Year

PHOTOMETRICS

Dimmable: Yes Nominal Lumens 1900 Lm
 CRI: 83 Delivered Lumens: N/A
 CCT: 3000K
 Recommended Dimmers:
 (TRIAC)LUTRON Diva DVCL-153P; (TRIAC)LUTRON Skylark S-600 or S-600P; (TRIAC)LUTRON Skylark S-603PG;
 (TRIAC)LEVITON Trimatron 6684; (TRIAC)LUTRON Toggler TG-600P; (TRIAC)LEVITON Surslide 6631

Additional Notes:

Custom Finish 100 Piece Minimum Order Quantity

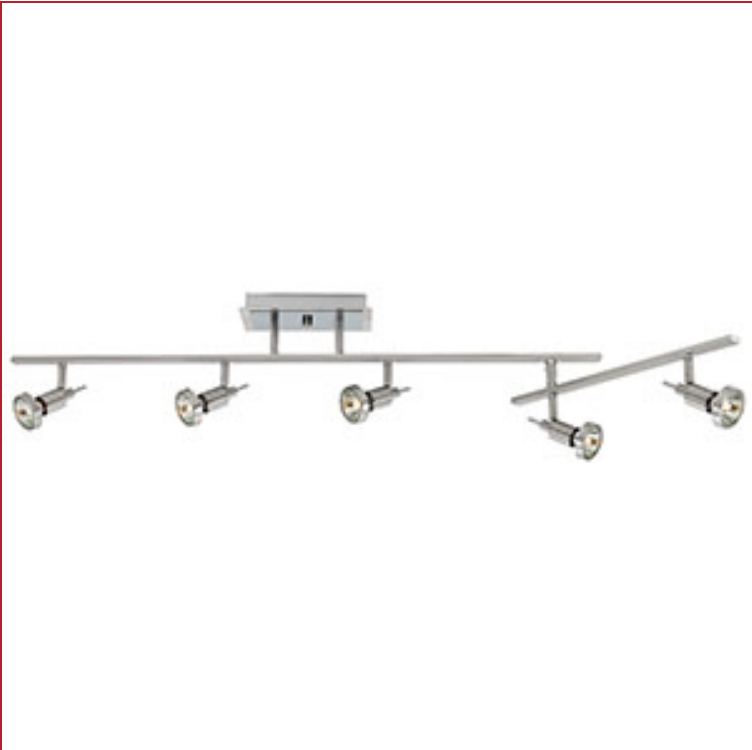
Project Name: _____

Location: _____

Type: _____

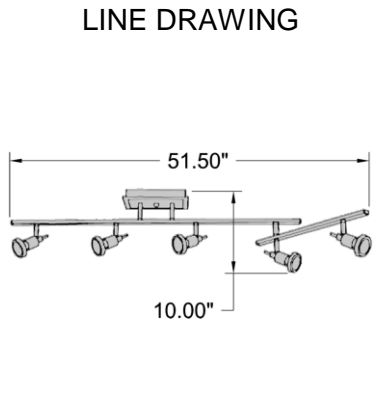
Quantity: _____

Notes: _____



LINE DRAWING

IES FILE



In addition to Access Lighting's purchase and warranty terms and conditions, by signing below or placing an order, you agree that you are authorized to bind the entity placing any order and acknowledge the following: All of sizes and measurements are approximate and all images are for illustrative purposes only. In the event of an inconsistency, the "Product Measurements" section controls. There also may be slight differences in the colors and designs compared to the displayed and printed images.

Signature: _____

Print Name _____ Date: _____

Toll Free 800-828-5483 www.AccessLighting.com

14410 Myford Road, Irvine, CA 92606

