



CAL LIGHTING

3625 E. Philadelphia St. Ontario CA. 91761 • Tel: 909.947.5200 • Fax:
909.947.5673 • www.calighting.com • service@calighting.com •
Specifications subject to change without notice

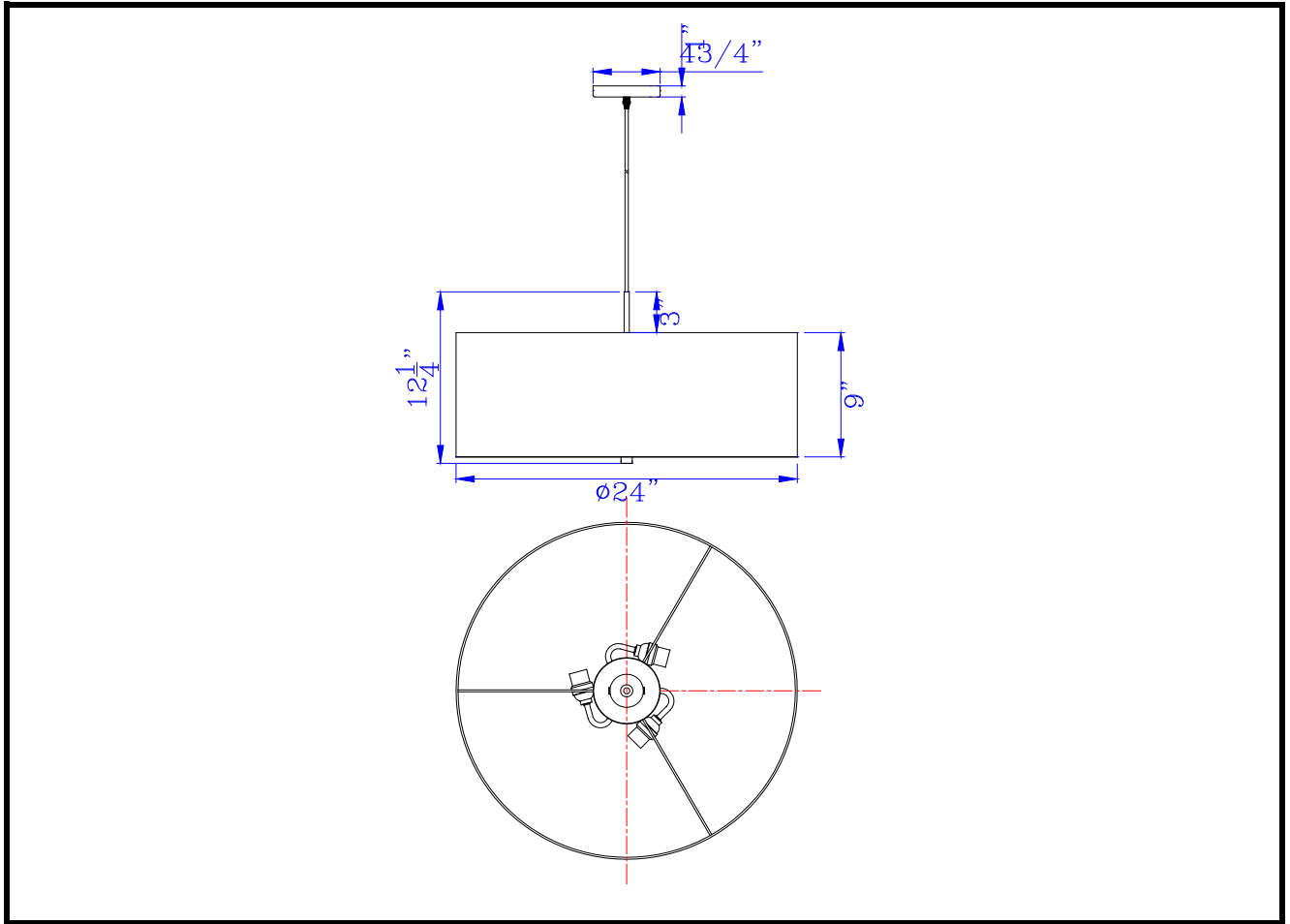
Type: _____

Project: _____

Catalog No.: _____

Lamp/Wattage: _____

Drawing:



Model No: FX-3627-3P
Description: 60W x 3 Addison drum pendant fixture. Dia:24"
Material: Metal
Finish : Brushed Steel
Height: 12 1/4"
Width: 24"
Wattage : 60W x 3
Socket : Medium Base (E26)
Bulb: Incandescent
Wire Length: 6'
Wire Color: Silver
Shade No:
Material: Burlap
Shade size: 24"x24"x9"
Shade Color: Burlap

Certificate :

