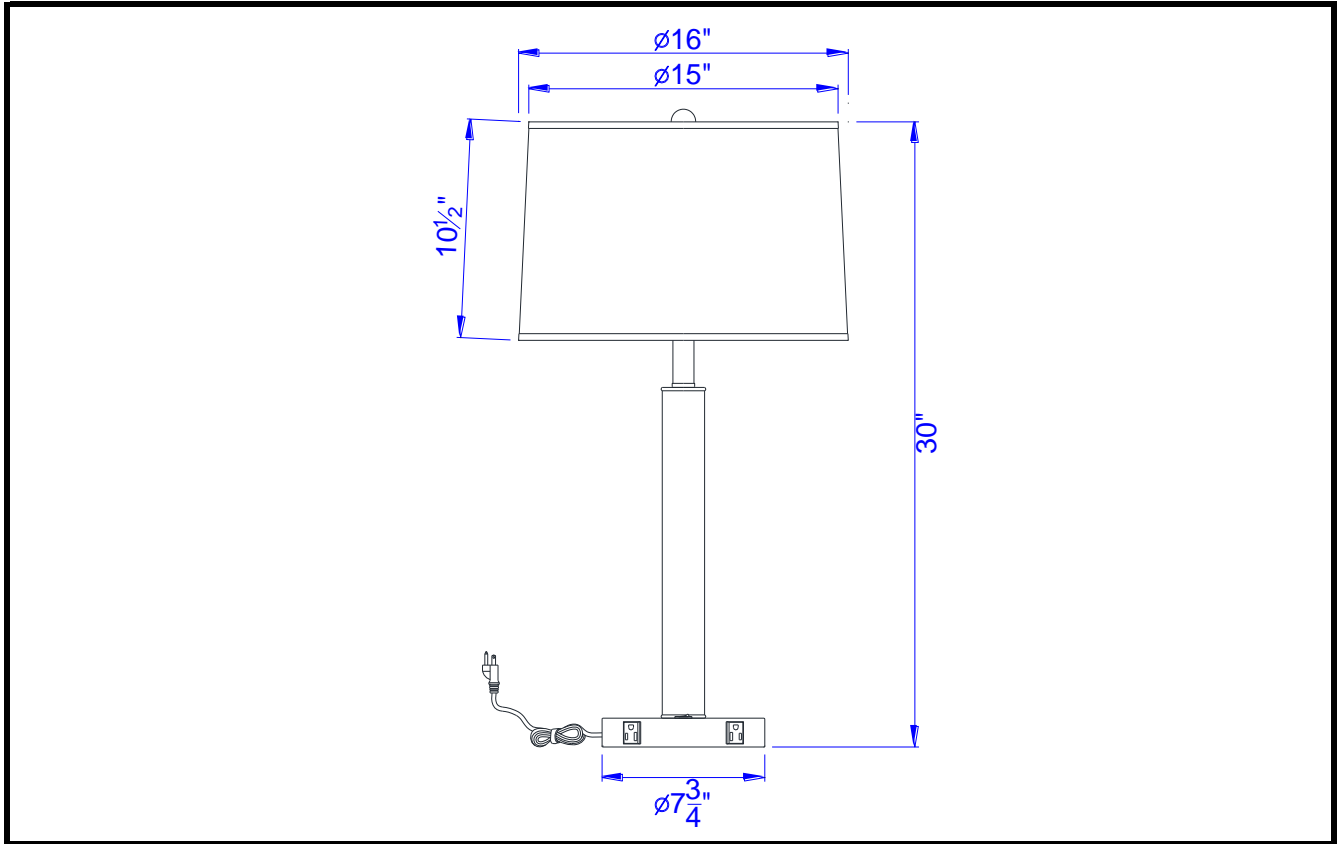




CAL LIGHTING

3625 E. Philadelphia St. Ontario CA. 91761 • Tel: 909.947.5200 • Fax:
909.947.5673 • www.calighting.com • service@calighting.com •
Specifications subject to change without notice

Type: _____
Project: _____
Catalog No.: _____
Lamp/Wattage: _____



Model No: LA-8020NS-1
Description: Table/Desk Lamp
Material: Metal
Finish : BS (Brushed Steel)
Height: 30"
Base Width: Dia.7 3/4"
Wattage : 100W
Socket : Medium Base (E27)
Switch: Rocker Switch
Bulb: Incandescent, CFL
Power Outlet: 2
Wire Length: 6'
Wire Color: Silver
Shade No: SH-1459
Material: Fabric
Shade size: 15"x16"x10 1/2"

Certificate :

