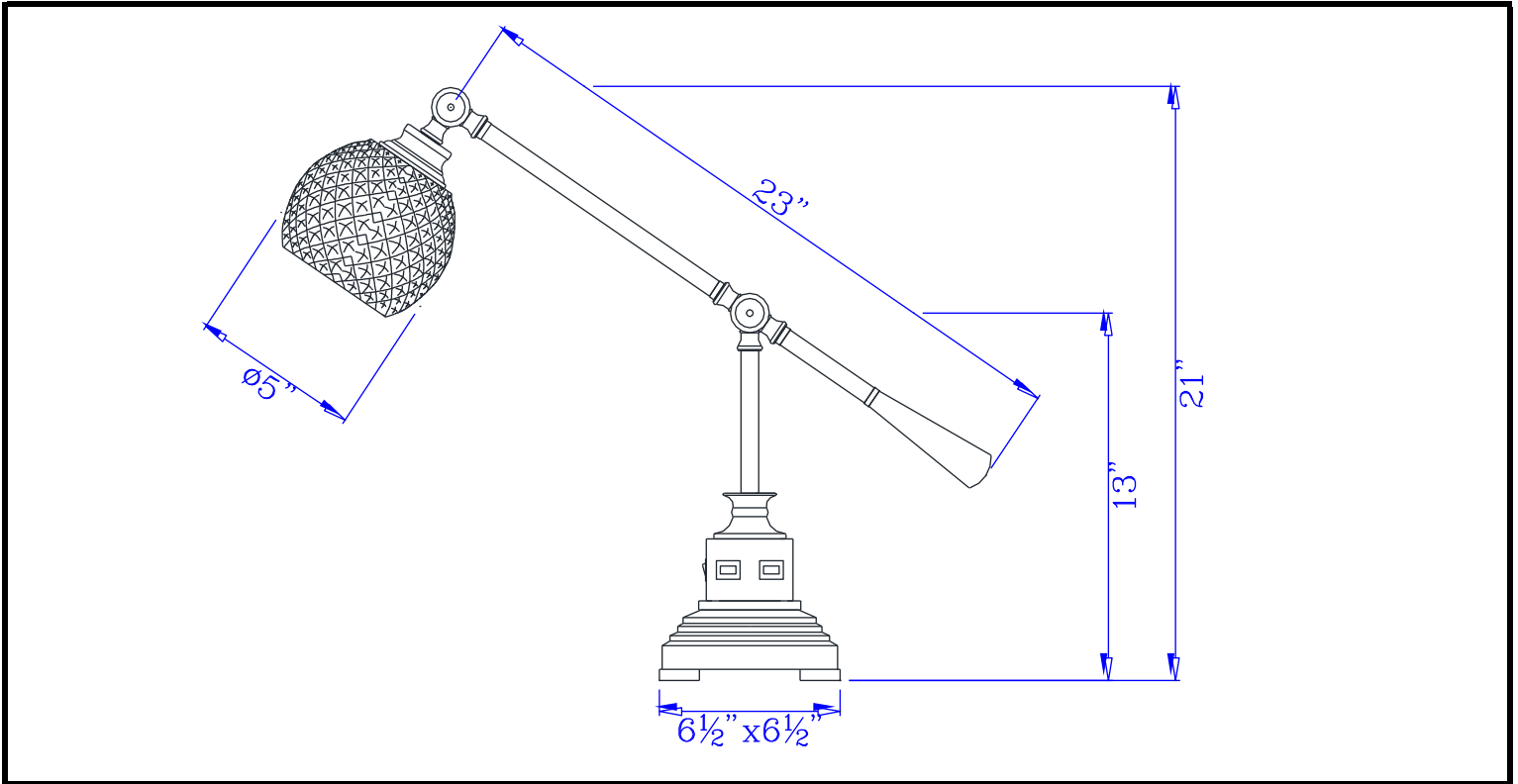




CAL LIGHTING

3625 E. Philadelphia St. Ontario CA. 91761 • Tel: 909.947.5200 • Fax:
909.947.5673 • www.calighting.com • service@calighting.com •
Specifications subject to change without notice

Type: _____
Project: _____
Catalog No.: _____
Lamp/Wattage: _____



- Model No:** BO-2777DK
- Description:** 60W Brandon metal desk lamp with glass shade and 2 USB outlets
- Material:** Metal
- Finish :** DB (Dark Bronze)
- Height:** 21"
- Reach:** 25"
- Base Width:** 6 1/2" x 6 1/2"
- Switch:** On/off
- Wattage :** 60W
- Socket :** Medium Base (E26)
- Bulb:** Incandescent, CFL
- Wire Length:** 6'
- Shade No:**
- Material:** Glass
- Shade size:** Dia.5"
- Certificate :** 