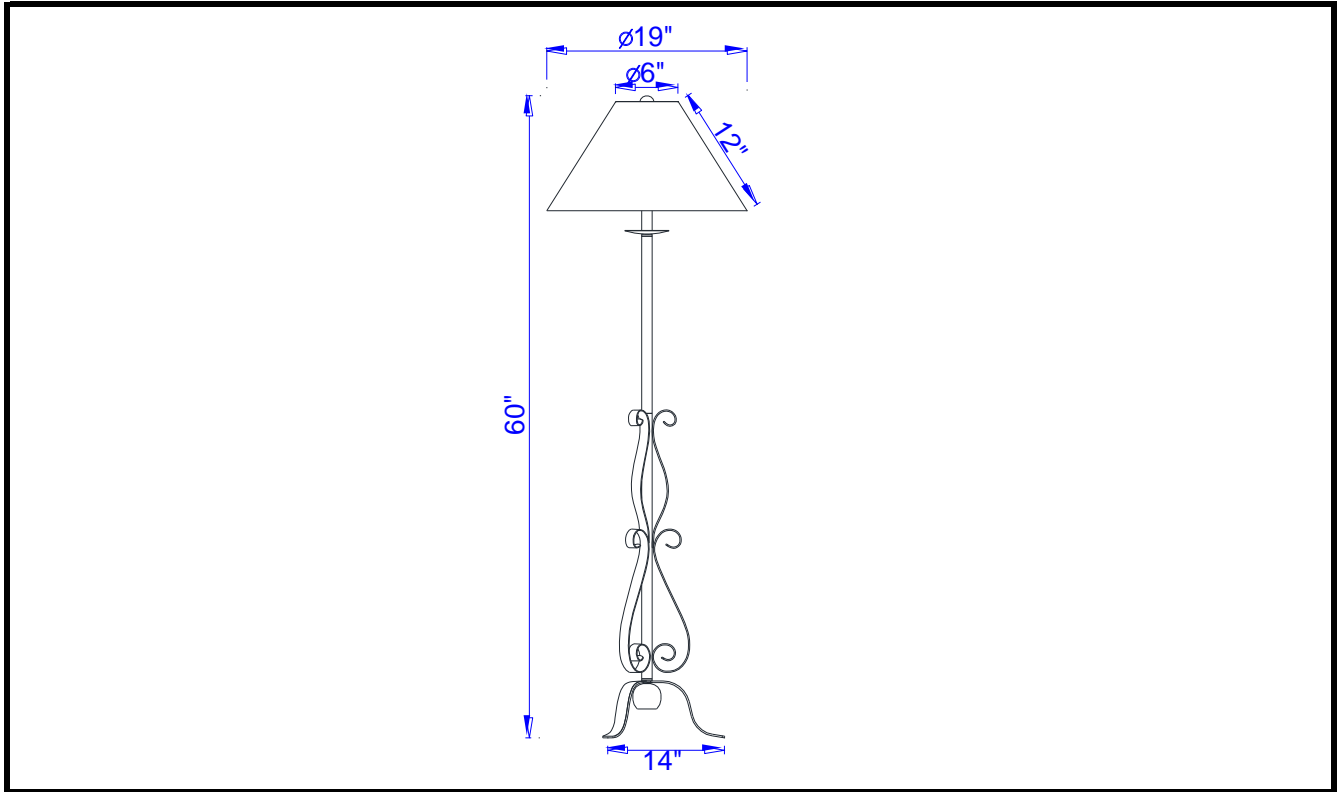




CAL LIGHTING

3625 E. Philadelphia St. Ontario CA. 91761 • Tel: 909.947.5200 • Fax:
909.947.5673 • www.calighting.com • service@calighting.com •
Specifications subject to change without notice

Type: _____
Project: _____
Catalog No.: _____
Lamp/Wattage: _____



- Model No:** BO-2703FL
- Description:** 150W 3 way Ekalaka wrought iron floor lamp with burlap shade
- Material:** Metal
- Finish :** Rust
- Height:** 60"
- Reach:** 19"
- Base Width:** 14"
- Wattage :** 150W
- Socket :** Medium Base (E26)
- Switch:** 3-Way
- Bulb:** Incandescent, CFL
- Wire Length:** 6'
- Wire Color:** Black
- Shade No:** SH-1480
- Material:** Burlap
- Shade size:** 6"x19"x12"
- Certificate :** 