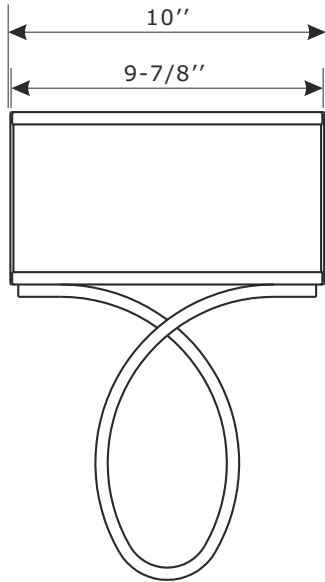


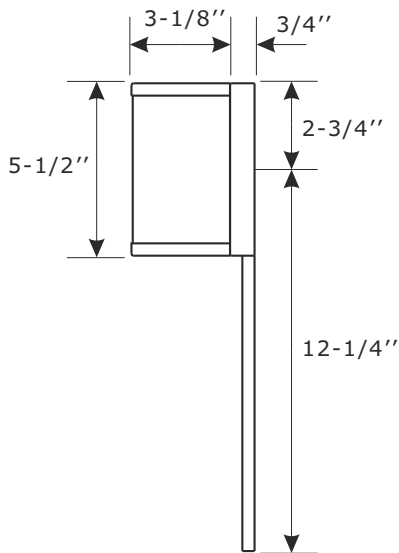
CRYSTORAMA

LIGHTING THE WAY FOR SIXTY YEARS

ASSEMBLY INSTRUCTION MODEL#BRK-A3702-PN



FRONT VIEW



SIDE VIEW

WARNING:



Electrical Danger



Turn Power off

All electrical components must be installed by a licensed electrician in accordance with the National Electric Code and the appropriate local electrical codes.



You will need 2- Candelabra Base Bulb
40 Watts Recommended 60 Watts Max.
USE LED BULBS FOR EXTENDED USE

How to install

1. Attach the decorative arm to the bottom of backplate with the lock washers and screws.
2. Install the mounting plate to the outlet box using two outlet box screws.
3. Install backplate onto the mounting plate, and secure with the ball nut.
4. Install the fabric shade onto the backplate, and secure with the finial.
5. Install the bulb(not included) into socket.

CRYSTORAMA

LIGHTING THE WAY FOR SIXTY YEARS

ASSEMBLY INSTRUCTION MODEL#BRK-A3702-PN

Part Number

Part Numbers

- A. (1)-Mounting hardware
- B. (1)-Backplate L10''xW5-1/2''xH3/4'' #XRF3702PNBKP10IN
- C. (2)-Ball nut #XRF3702PNBANUT
- D. (2)-Socket
- E. (2)-Finial #XRF3702PNFIN
- F. (1)-Fabric shade #XRF3702SHA9.875IN
- G. (2)-Screw
- H. (2)-Lock washer
- I. (1)-Decorative arm

