

**WARNING:** DISCONNECT POWER AT THE MAIN FUSE BOX BEFORE INSTALLATION.

**WARNING:**

This fixture is intended for installation in accordance with the National Electrical Code (NEC) and all local code specifications. If you are not familiar with code requirements, installation by a certified electrician is recommended.

Before assembly, remove all parts and part packages from box. If anything is missing, please contact the retailer from which the product was purchased.

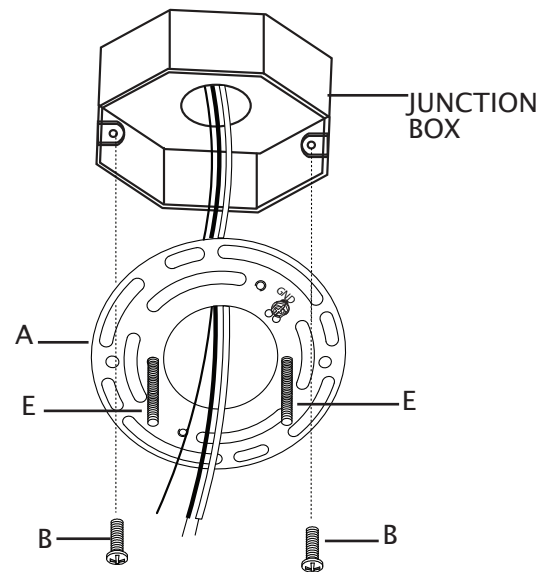
*elk* HOME

ANY QUESTIONS CALL: 800-613-3261  
M-F 8:00AM-6:00PM ET

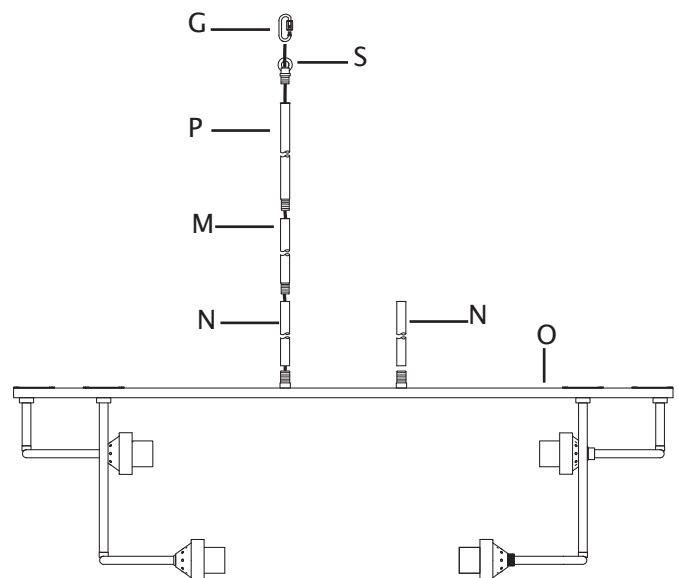
ITEM#: D4336

1. Carefully pull house wires out of junction box so they are easily accessible during installation.
2. Position mounting bracket (A) so threaded ends of attached fixture mounting screws (E) are facing down towards floor.
3. Carefully pull house wires through center hole in mounting bracket (A).
4. Align small holes in mounting bracket (A) with holes in junction box.
5. Thread each junction box screw (B) into appropriate holes in mounting bracket (A) and into holes in junction box. Tighten junction box screws (B) to secure mounting bracket (A) to junction box.

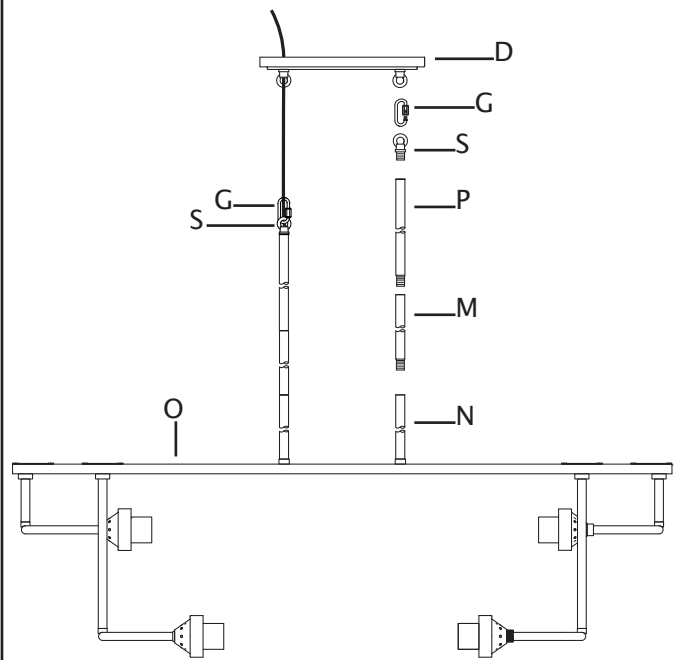
**CAUTION:** Make sure house wires are pulled completely through hole in mounting bracket. **DO NOT** pinch wires between mounting bracket and ceiling.



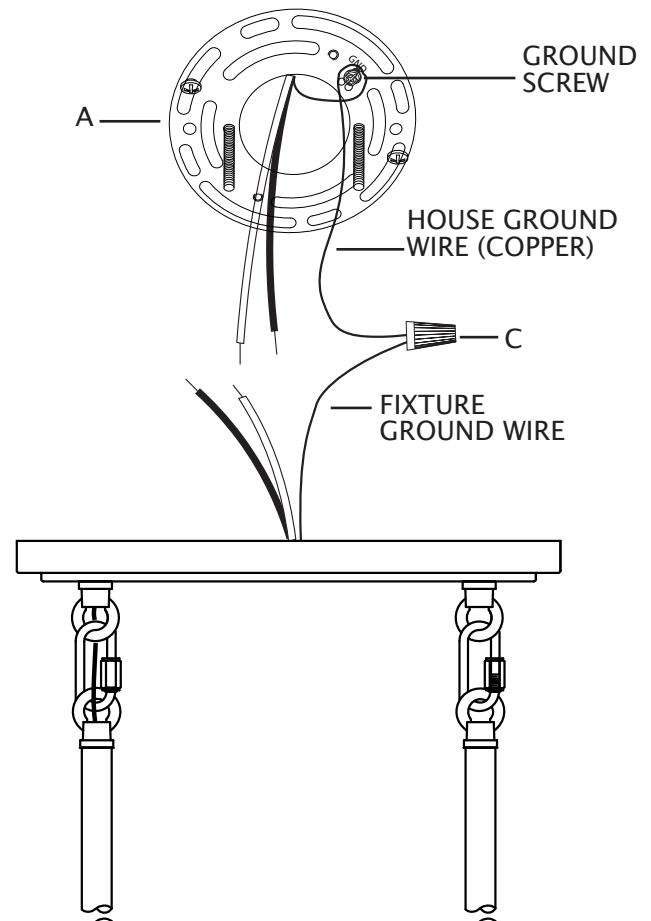
6. On the side of the fixture with the fixture wires, carefully push fixture wires up through bottom of one 6 inch stem (N). Pull fixture wires out of top of 6 inch stem (N). Pull fixture wires taut. Screw bottom of 6 inch stem (N) onto threaded pipe on top of fixture body (O).
7. On side of fixture without fixture wires, screw one 6 inch stem (N) onto threaded pipe on top of fixture body (O).
8. Determine desired hanging height of fixture. Choose the quantity of stems to achieve that height. **NOTE:** Ensure the total length of stems is equal for each side of fixture.
9. On side of fixture with wires, push fixture wires from top of 6 inch stem (N) up through bottom of stem (M or P). Pull fixture wires out of top of stem (M or P). Pull fixture wires taut. Screw bottom of stem (M or P) onto top of 6 inch stem (N). If using more stems (M or P), install remaining stem in this same manner.
10. Push fixture wires from top of last stem (M or P) up through bottom of small loop (S). Pull fixture wires out of top of small loop (S). Pull fixture wires taut. Screw threaded pipe on bottom of small loop (S) onto top of last stem (M or P).
11. Attach one locking link (G) to small loop (S) and to loop on canopy (D).



12. On side of fixture without wires, screw bottom of stem (M or P) onto top of 6 inch stem (N). If using more stems (M or P), install remaining stem in this same manner. Screw threaded pipe on bottom of small loop (S) onto top of last stem (M or P).
13. Push fixture wires up through hole in loop on canopy (D). Pull fixture wires through canopy (D). Attach locking link (G) on small loop (S) onto loop on canopy.
14. On each side of fixture without wires, attach one locking link to small loop (S) and to loop on canopy (D).



15. Strip 3/4" of insulation from ends of fixture wires.
16. Slightly loosen ground screw on mounting bracket (A). Do not completely remove ground screw. Wrap house ground wire (copper) around ground screw, leaving enough ground wire to attach to fixture ground wire. Twist end of fixture ground wire and end of house ground wire together. Twist wire nut (C) onto ends of wires. Completely tighten wire nut (C). Reference chart below for correct wire connections.



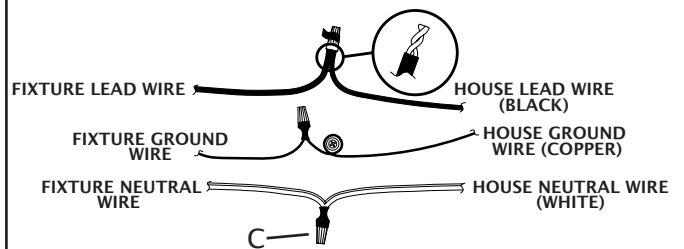
Connect Supply (House) Ground Copper Wire to:

- |                       |
|-----------------------|
| Bare Copper Wire or,  |
| Bare Silver Wire or,  |
| Green Insulated Wire. |

17. Twist end of house lead wire (black) and end of fixture lead wire together. Twist wire nut (C) onto ends of wires. Completely tighten wire nut (C). Twist end of house neutral wire (white) and end of fixture neutral wire together. Twist wire nut (C) onto ends of wires. Completely tighten wire nut (C). Reference chart to the right for correct wire connections.
18. Wrap electrical tape (not included) around wire nuts (C) and wires. Ensure wires are securely fastened into wire nuts.
19. Carefully push all wires and wire nuts into junction box.

Connect Black Lead Supply (House) Wire to:	Connect White Neutral Supply (House) Wire to:
Black Wire or,	White Wire or,
*Parallel Cord (Round and Smooth) or,	*Parallel Cord (Square and Ridged) or,
No printed words on wire insulation or,	Printed words on wire insulation or,
Insulated Wire (other than green) with Copper Conductor.	Insulated Wire (other than green) with Silver Conductor.

\*When parallel wire (SPT 1 & SPT 2) is used:  
The lead wire is round in shape or smooth.  
The neutral wire is square in shape or ridged.



20. Carefully raise fixture up to ceiling. Place canopy (D) over mounting bracket (A). Pass holes in canopy (D) over ends of fixture mounting screws (E).
21. Screw one threaded cap (F) onto end of each fixture mounting screw (E). Tighten threaded caps (F) to secure fixture to ceiling. DO NOT over tighten.
22. Screw recommended bulbs (E26 Edison bulb type, not included) into sockets. Verify correct bulb wattage marked on socket of fixture.  
**WARNING: DO NOT** exceed maximum bulb wattage.
23. Loosen threaded collar (R) below socket cup (T). Slide socket cup (T) down arm.
24. On the opposite arm, slide one end of glass tube (K) over socket. Carefully fit bottom of glass tube (K) into fixed socket cup.
25. On other end of glass tube (K), slide socket cup (T) over end of glass tube (K). Tighten threaded collar (R) to secure socket cup (T) in place. DO NOT over tighten.
26. Repeat steps 23–25 to install remaining glass tube (K).

