



CAL LIGHTING

3625 E. Philadelphia St. Ontario CA. 91761 • Tel:
909.947.5200 • Fax:

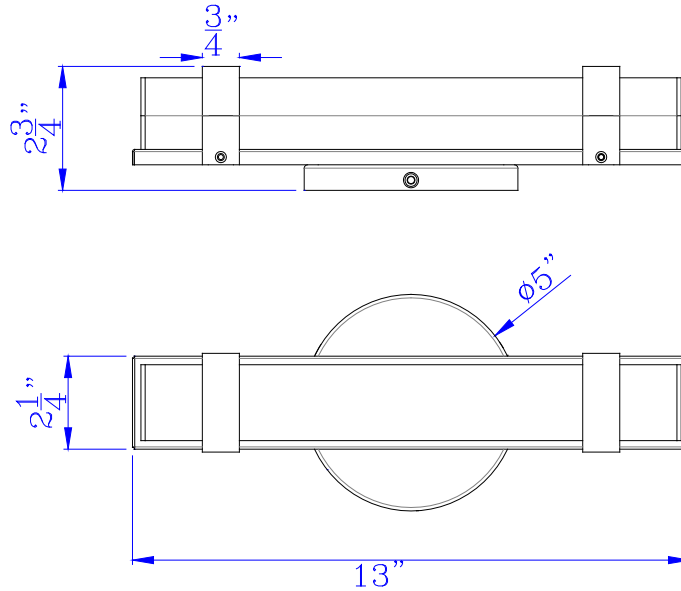
909.947.5673 • www.calighting.com • service@calighting.com •
Specifications subject to change without notice

Type: _____

Project: _____

Catalog No.: _____

Lamp/Wattage: _____



- Model No. :** LA-8601S
- Description:** 13W AC LED vanity light, L: 13"
- Finish :** Brushed Steel
- Height:** 2 1/4"
- Width:** 13"
- Reach:** 2 3/4"
- Voltage :** 120V
- Wattage :** 13W
- Dimming:** Dimmable
- CT:** 3000K
- Lumen :** 1040
- CRI :** 85
- FWHM :** None
- Rated Life :** 30,000 hours
- Warranty:** Three Years

Certificate : 