



**SCHONBEK®**

**BAGATELLE 1246- \_ \_ \_ \_ \_**



**T**HIS DESIGN IS THE PROPRIETARY TRADE DRESS/TRADemark OF SWAROVSKI LIGHTING, LTD.

6 + 1 Lights  
Diameter: 21"  
Body Length: 22-1/2"  
Hanging Weight: 13 lbs.

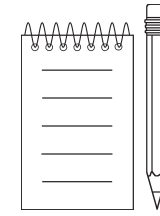
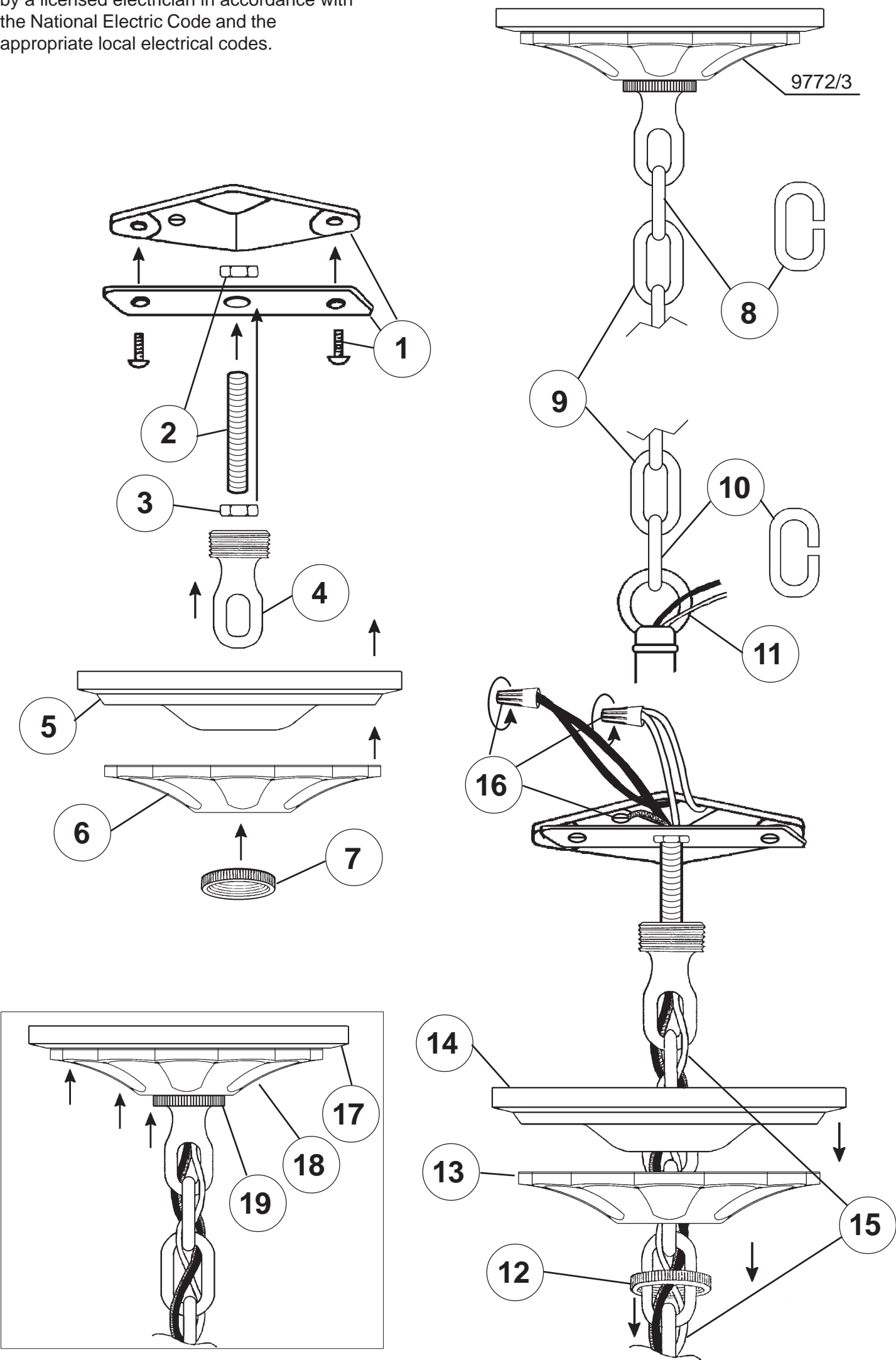


**SCHONBEK®**

MAX 60 W		110-120 V						

SCHONBEK® is a member of the Swarovski group.

All electrical components must be installed by a licensed electrician in accordance with the National Electric Code and the appropriate local electrical codes.

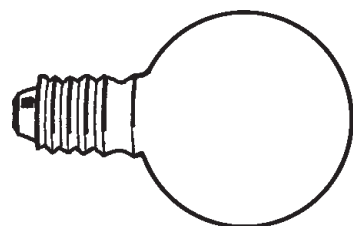






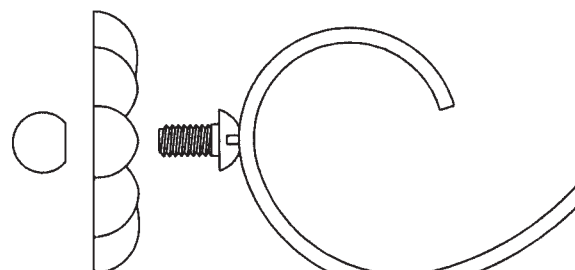
20

You will need 6 - B10  
25 Watts Recommended  
60 Watts Max



You will need 1 - G16-1/2  
25 Watts Recommended  
60 Watts Max

Install bulbs and be sure  
to test fixture **BEFORE**  
trimming.



21

Slide rosettes with flat side  
facing towards you onto the  
screws and secure with balls  
provided.

NOTE:  
Place smaller  
rosettes on  
these scrolls  
only.

Chain "F" swags from  
side loop on Drop "D"  
to the next side hole on  
the arm rosette.

