

PORTER

2803OZ

MEDIUM FLUSH MOUNT

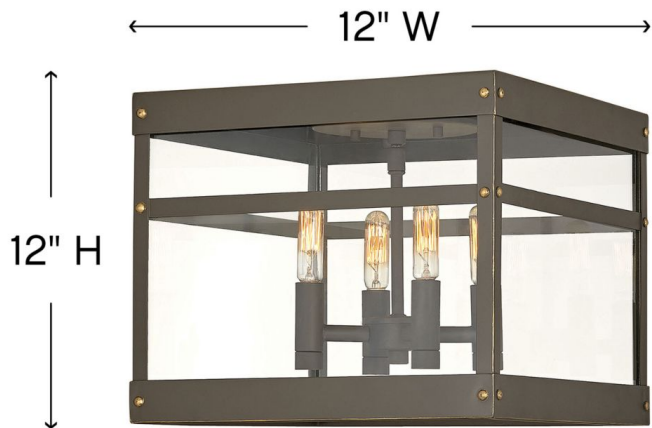
A fusion of chic styles makes Porter a design standout. Merging Modern Farmhouse, Industrial, and Arts and Crafts elements, the fine rivet details and a sturdy hanger loop create a stunning and distinctive statement.

DETAILS	
FINISH:	Oil Rubbed Bronze
MATERIAL:	Aluminum
GLASS:	Clear
DIMMABLE:	YES, WITH DIMMABLE LAMP (NOT INCLUDED)

DIMENSIONS	
WIDTH:	12"
HEIGHT:	12"
WEIGHT:	8.4lb

LIGHT SOURCE	
LIGHT SOURCE:	Socketed
WATTAGE:	4-5w Cand. LED, 60w Equiv.
VOLTAGE:	120v

SHIPPING	
CARTON LENGTH:	14.8
CARTON WIDTH:	14.8
CARTON HEIGHT:	13
CARTON WEIGHT:	11



PRODUCT DETAILS:

- Suitable for use in damp locations as defined by NEC and CEC. Meets United States UL Underwriters Laboratories & CSA Canadian Standards Association Product Safety Standards.
- Our Estate Collections boast a breadth of fixtures defined by coordinating composition, enduring architecture, and time-honored craftsmanship, designed to meet the needs of expansive properties with extended outdoor living spaces. From the entrance of your driveway to the depths of your backyard, these collections provide cohesive design for stately exteriors.
- 2-year finish warranty
- The stylish Open Air collection includes outdoor-rated chandeliers, pendants and sconces that provide design-conscious solutions to a variety of exterior environments.
- The Lisa McDennon Collection offers a striking mix of edgy, sculptural silhouettes that incorporate modern, organic elements and luxe materials, brought to life by her innovative and original point of view.
- Sophisticated and streamlined design, durable construction and a timeless finish complement any architectural style

HINKLEY

HINKLEY
33000 Pin Oak Parkway
Avon Lake, OH 44012

PHONE: (440) 653-5500
Toll Free: 1 (800) 446-5539

hinkley.com