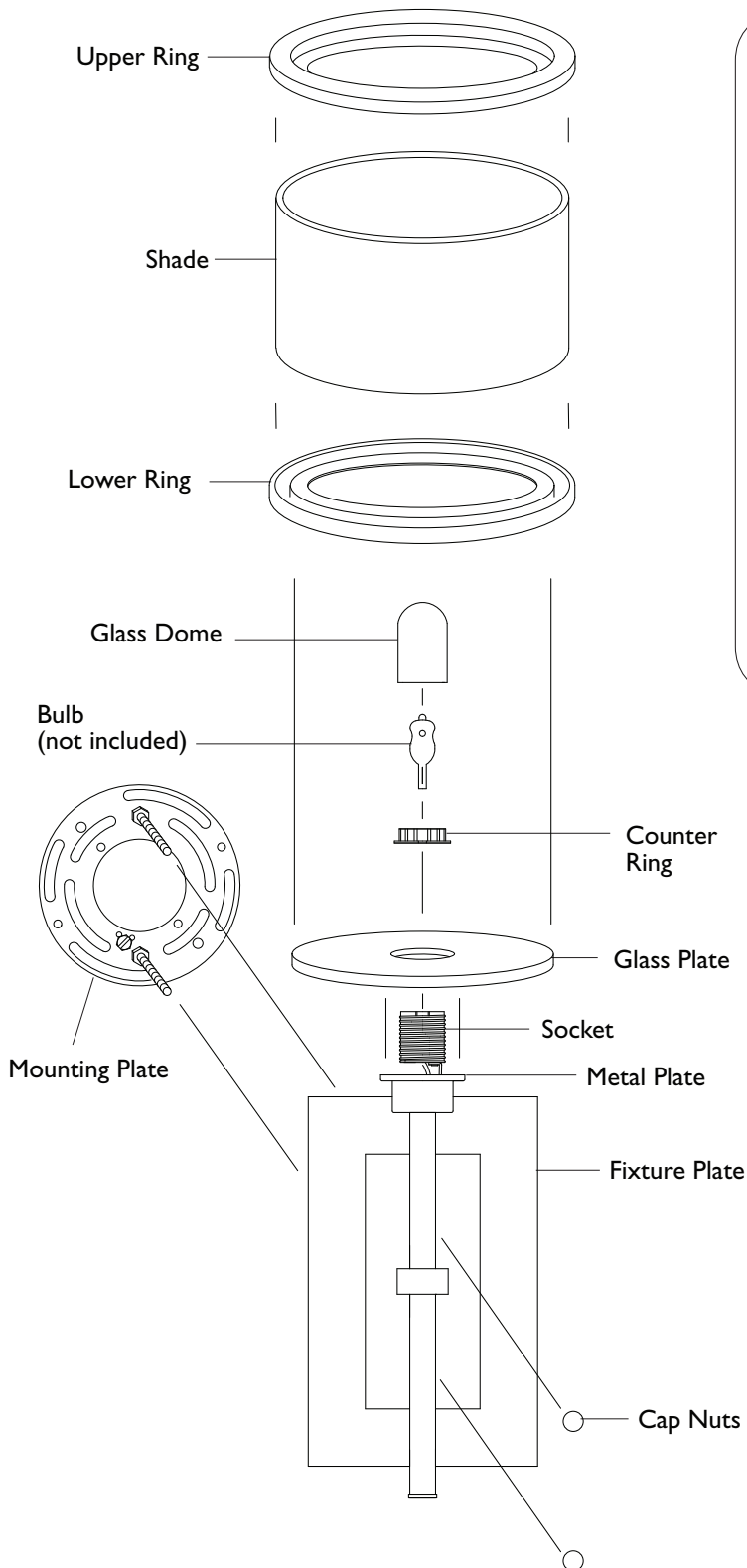


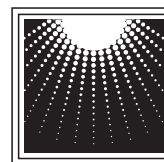
# Assembly Instructions For **WB1378** (E) 4/08



**IMPORTANT  
TURN OFF THE POWER AT THE MAIN FUSE OR  
CIRCUIT BREAKER BOX  
BEFORE STARTING INSTALLATION**

Carefully unpack and identify all parts before assembly. Bulb not included.

1. Follow enclosed supplement installation instructions for electrical and fixture installation onto house outlet box. If you do not have an outlet box at desired location to attach the fixture than hire a qualified electrician to create one.
2. Install shade and bulb:
  - A. Place round glass plate over round metal plate.
  - B. Secure with counter ring. Do not over tighten.
  - C. Install bulb (not included). See relamping label located near socket area for type and maximum allowed wattage. **NOTE:** Make certain not to handle lamp with bare hand since this will cause lamp to shatter at high heat. Handle with clean soft cloth.
  - D. Place lower ring onto glass plate.
  - E. Place shade onto lower ring.
  - F. Place upper ring onto shade.
  - G. Install shade by placing over glass plate.



**MURRAY  
FEISS**

Generation Brands™