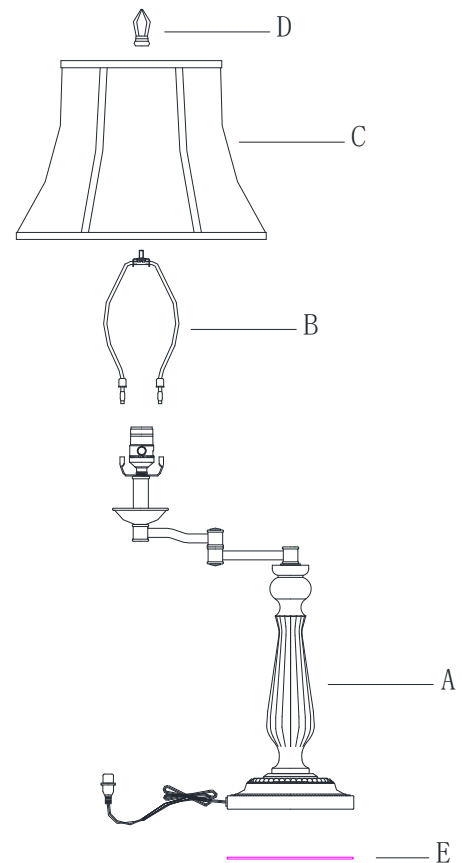


## ASSEMBLY INSTRUCTIONS:

### ITEM NO.: BO-581TB

1. CAREFULLY UNPACK AND PLACE ALL PARTS ON A SMOOTH SURFACE AND LINE THEM UP AS PER THE SKETCH.
2. CAREFULLY PULL THE EXTRA WIRE FROM THE BOTTOM OF THE BASE BEFORE SCREW IN THE SWING ARM TO THE LAMP BODY.
3. SCREW IN THE SWING ARM TO THE LAMP BODY.
4. PLACE THE FELT PAD TO COVER THE BOTTOM OF THE BASE.
5. INSERT HARP (B) INTO THE SADDLE AT THE TOP OF SOCKET (A).
6. PLACE THE SHADE (C) (NOT INCLUDED) ONTO HARP (B), AND SCREW FINIAL (D) ONTO HARP (B) TO SECURE THE SHADE.
7. INSERT THE POLARIZED PLUG INTO WALL OUTLET, TURN ON THE SWITCH AND ENJOY YOUR NEW LAMP.



**USE 3-WAY 150 WATTAGE  
(MAXIMUM) TYPE A BULB (BULB  
NOT INCLUDED)**

## IMPORTANT SAFETY INSTRUCTIONS:

THIS PORTABLE LAMP HAS A POLARIZED PLUG (ONE BLADE IS WIDER THAN THE OTHER) AS A SAFETY FEATURE TO REDUCE THE RISK OF ELECTRIC SHOCK. THIS PLUG WILL FIT IN A POLARIZED OUTLET ONLY ONE WAY. IF IT DOES NOT FIT FULLY IN THE OUTLET, REVERSE THE PLUG. IF IT STILL DOES NOT FIT, CONTACT A QUALIFIED ELECTRICIAN. NEVER USE WITH AN EXTENSION CORD UNLESS THE PLUG CAN BE FULLY AND EASILY INSERTED. DO NOT ATTEMPT TO ALTER THE PLUG.

**SAVE THESE INSTRUCTIONS FOR FUTURE REFERENCE.**