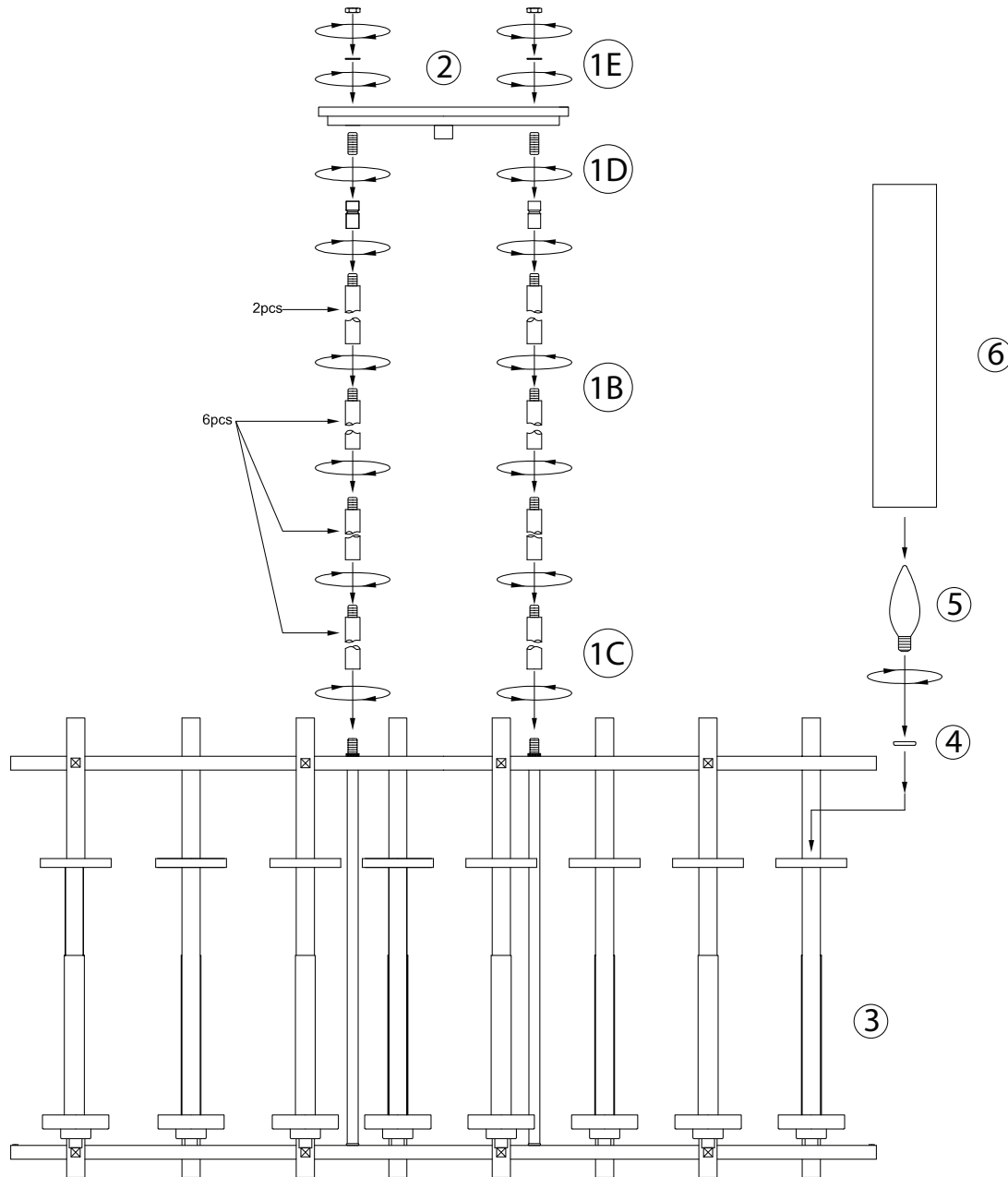


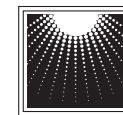
Assembly Instructions For **F2630/8** (E) 12/10



IMPORTANT TURN OFF THE POWER AT THE MAIN FUSE OR CIRCUIT BREAKER BOX BEFORE STARTING INSTALLATION

Carefully unpack and identify all parts before assembly.
Bulbs not included.

1. Install stems:
 - A. Choose desired installation height.
 - B. Thread fixture wires through stems to be used. Note correct position of stems from left diagram. Screw all stems together until secure.
 - C. Install bottom end of stem assembly by screwing into top of fixture.
 - D. Thread fixture wires through swivel. Then install swivel by screwing onto top end of stem assembly. Install swivel onto the canopy with hex nut and washer.
 - E. Measure 6" of wires from end of fixture plate and cut off remaining wires. Split wires and strip off 3/4" (20 mm) of insulation from each end.
2. Follow enclosed supplement installation instructions for electrical and fixture installation onto house outlet box. If you do not have an outlet box at desired location to attach the fixture than hire a qualified electrician to create one.
3. Install candle tube onto fitter.
4. Install candle tube rings onto candle tubes.
5. Install bulbs (not included). See relamping label located at socket area for type and maximum allowed wattage.
6. Install shades onto fitters.



**MURRAY
FEISS**

GENERATION
BRANDS™ 