

INSTALLATION INSTRUCTIONS

For Model 2405-06

READ AND SAVE THESE INSTRUCTIONS

These instructions are provided for your safety. It is very important that they are read carefully and completely before beginning installation of the lighting fixture. We strongly suggest that all direct wired fixtures be installed by a qualified, licensed electrician.

WARNING! SHUT POWER OFF AT FUSE OR CIRCUIT BREAKER.

BEFORE INSTALLATION

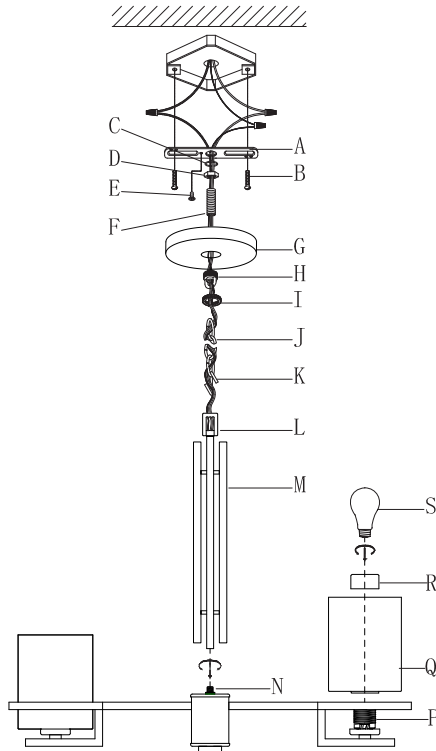
AVERTISSEMENT! COUPER LE COURANT AU NIVEAU DES FUSIBLES OU DU DISJONCTEUR.

ASSEMBLING THE FIXTURE

Screw decorative center piece (M) to connect with nipple (N) before twisting the fixture loop (L) onto decorative center piece (M). Determine the correct number of chain links needed for proper hanging height. Use a pair of pliers to open and remove or add any excess chain. Screw fixture loop (L) onto decorative center piece (M). Lace the fixture's wires through the chain (every three links or so) and pull until taut. Once ideal chain/wire length is achieved, attach top end of chain (J) to canopy loop (H) with a pair of pliers. Connect the other end of chain (K) to the fixture loop (L). Let canopy (G) and canopy loop ring (I) rest on the fixture body.

CONNECTING THE WIRES

Have an assistant support the weight of the fixture while completing wiring. Remove excess wire. Feed the fixture's wires through canopy loop (H) and nipple (F). Attach the fixture's wires to the power supply wires from the junction box. Connect black to black (or smooth); white to white (or ribbed); ground to ground (green or copper). Twist the ends of the wire pairs together, and then twist on a wire connector. Make sure all twists are in the same direction. If there is no ground wire (Green or copper) coming from the junction box, locate ground screw (E) on mounting bracket (A) and wrap the fixture's ground wire around the green ground screw (E). Use a screwdriver to secure ground screw (E) onto the mounting bracket. Tuck all wires neatly into the junction box.

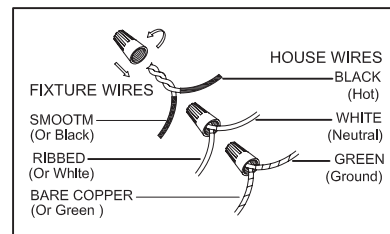


PREPARING FOR INSTALLATION

Remove all contents from the carton. See the important notes above. Shut off the power at the circuit breaker and completely remove the old fixture from the ceiling, including the old mounting bracket.

Remove the mounting bracket assembly from the bag. One end of nipple (F) should be attached to mounting bracket (A) with washer (C) and hex nut (D) in place. The other end should have canopy loop (H) attached.

Attach mounting bracket (A) to the junction box by securely tightening the mounting screws (B). Unscrew canopy loop ring (I) from canopy loop (H). Pass canopy (G) over the canopy loop (H) so that it's against the ceiling. Adjust position of nipple (F) on mounting bracket (A) so that canopy (G) covers at least half exterior threads on the canopy loop (H) while it's securely connected to nipple (F). Once ideal position of nipple (F) is determined, tighten up the washer (C) and hex nut (D) on the nipple (F) right underneath the mounting bracket (A) to secure the nipple in place.



FINISHING THE INSTALLATION

Push canopy (G) up to the ceiling and slide canopy loop collar (I) up beneath the canopy. Tightly thread canopy loop collar (I) onto canopy loop (H) to secure canopy (G) in place.

Secure glass (Q) onto the socket (P) by screwing socket ring (R) tightly. Install light bulb (not included) in accordance with the fixture's specifications. Do not exceed the maximum recommended wattage.

Your installation is now complete. Turn on the power and test the fixture.

CLEANING TIPS

Treat the fixture gently! Regular cleaning will reduce the need for deep cleaning. For regular cleaning, turn off the light and wipe down the fixture with a clean lint-free cotton or microfiber cloth. Never spray cleaner directly onto the fixture. Dry with a lint-free or microfiber cloth.