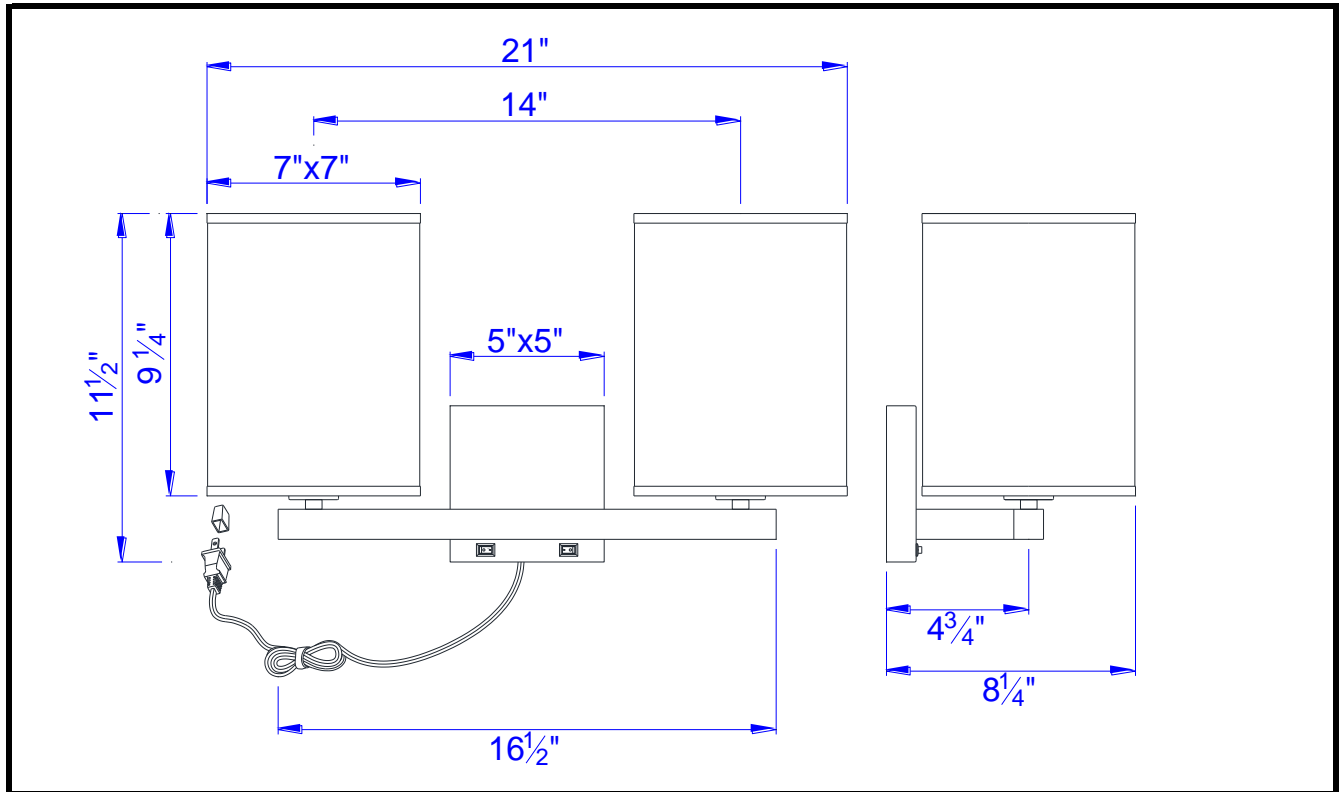




# CAL LIGHTING

3625 E. Philadelphia St. Ontario CA. 91761 • Tel: 909.947.5200 • Fax:  
909.947.5673 • www.calighting.com • service@calighting.com •  
Specifications subject to change without notice

Type: \_\_\_\_\_  
Project: \_\_\_\_\_  
Catalog No.: \_\_\_\_\_  
Lamp/Wattage: \_\_\_\_\_



- Model No:** LA-8028W2L-1
- Description:** 2 Light Wall Lamp
- Material:** Metal
- Finish :** BS (Brushed Steel)
- Height:** 11 1/2"
- Base Width:** 5"x5"
- Reach:** 8 1/4"
- Wattage :** 60Wx2
- Socket :** Medium Base (E27)
- Switch:** Rocker Switch x2
- Bulb:** Incandescent, CFL
- Power Outlet:** N/A
- Wire Length:** 6'
- Wire Color:** Silver
- Shade No:**
- Material:** Fabric
- Shade size:** (7"x7")x(7"x7")x9 1/4"

**Certificate :**

