



ASSEMBLY INSTRUCTION MODEL#XAV-B8301-VG

WARNING:



Electrical Danger



Turn Power off

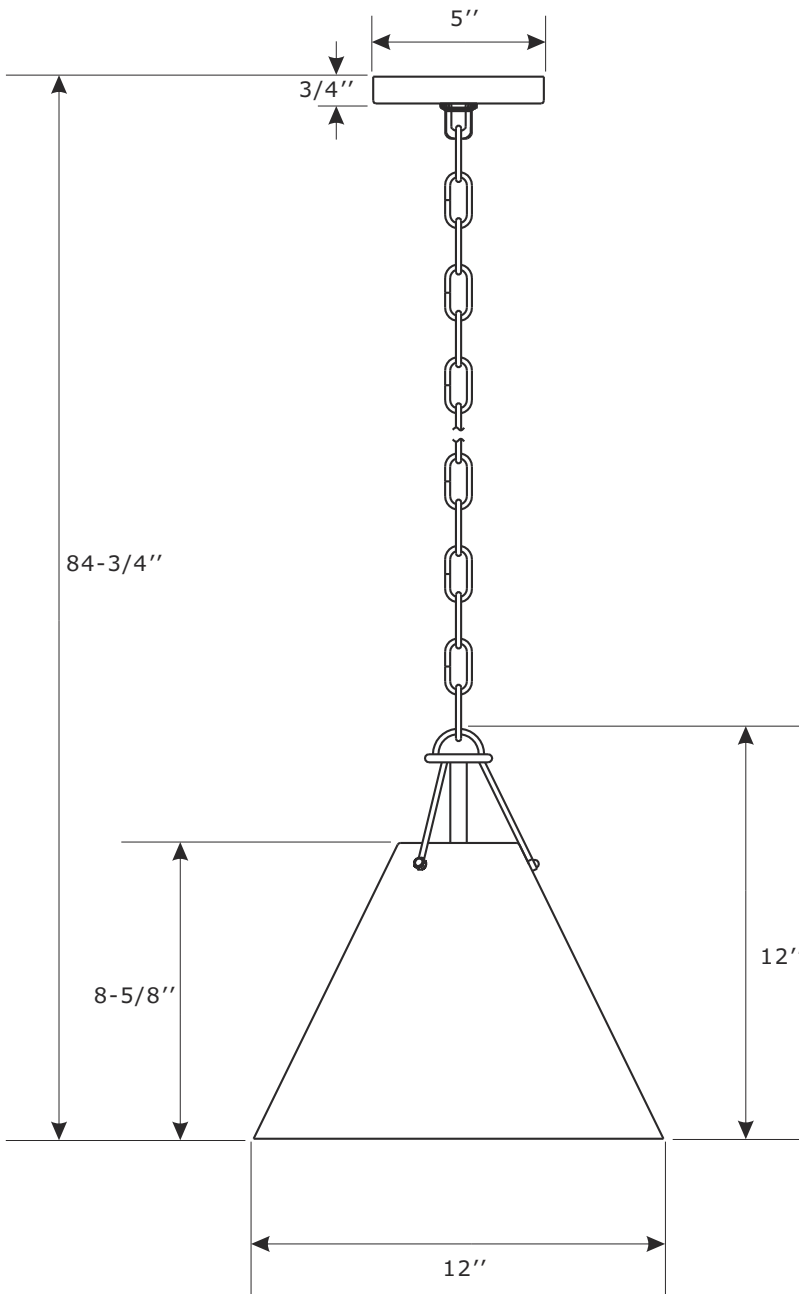
All electrical components must be installed by a licensed electrician in accordance with the National Electric Code and the appropriate local electrical codes.



You will need 1-Medium Base Bulb
60 Watts Recommended 100 Watts Max.
USE LED BULBS FOR EXTENDED USE
This fixture is Damp rated

How to install

1. Determine the preferred hanging height and adjust to the chain required.
2. Install the fixture onto outlet box.
3. Install the recommended bulb(not included)





PART NUMBER MODEL#XAV-B8301-VG

Part Number

Part Numbers

- A. (1)-Mounting hardware
- B. (1)-Canopy W5''xH3/4'' #XRF8301VGCAN5IN
- C. (1)-Collar Loop
- D. (1)-Collar ring
- E. (1)-Chain -L72'', 3.8mm thick #XRF8301VGCHA3.8MM
- F. (1)-Loop
- G. (1)-Socket
- H. (1)-Metal shade #XRF8301WSHA12IN

