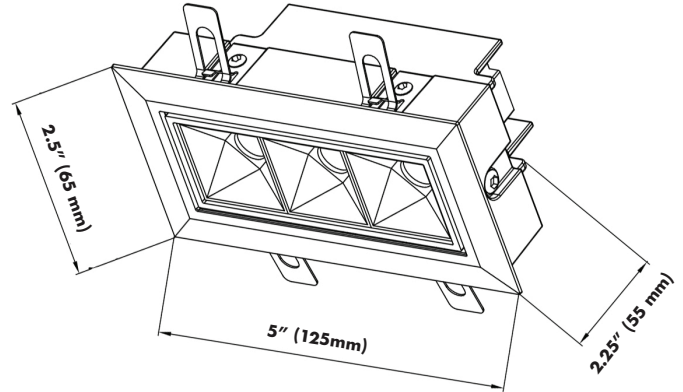
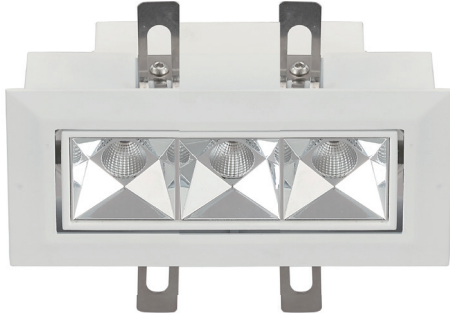


RUBIK SERIES

VMDL000603C009WH



PROJECT:	TYPE:	CATALOG #:	DATE:
----------	-------	------------	-------



NOMINAL STANDARD SPECIFICATIONS

SKU:	VMDL000603C009WH
FINISH:	WHITE
LUMEN OUTPUT:	576.06
INPUT VOLTAGE:	100 - 277V
COLOR TEMPERATURE:	3000K
CRI:	90
DIMMING:	0-10V
POSITIONING:	ADJUSTABLE LEFT 15°, RIGHT 15°
BEAM ANGLE:	34°
WATTAGE:	8.6 W
CUT OUT:	4.75" L (120.6 mm) x 2.25" W (57.15 mm)
ENVIRONMENT:	DRY / IP20
MOUNTING:	RECESSED

FEATURES

- LED Adjustable trim downlight, RUBIK Series
 - Aluminum body structure available in White finish
 - Integrated LED 3-spot fixture, recessed installation
 - IC Rated
 - Adjustable 15° to the left or right
 - DIMENSIONS: 5" L x 2.5" W x 2.25" H
 - HOLE SIZE: 4.75" L x 2.25" W
 - ETL, cETL, Title 20 Compliant, Title 24 Compliant, Prop 65 Compliant, Energy Star Compliant
 - 3 Year Limited Warranty
- ***THE MEASUREMENTS ARE ROUNDED TO THE NEAREST 1/4"***

SAMPLE ORDERING SKU

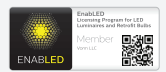
1	2	3	4	5	6
VMDL000603C009WH	03	WH	30K	B34	
1 - SKU	2 - WATTAGE	3 - FINISH	4 - COLOR TEMP.	5 - BEAM ANGLE	6 - OTHER OPTIONS
VMDL000603C	009 - 8.6 W	WH - White BL - Black*	27K - 2700* 30K - 3000 35K - 3500* 40K - 4000*	B12 - 12°* B20 - 20°* B34 - 34° B48 - 48°*	EMD - EMERGENCY DRIVER EMC - EMERGENCY CIRCUIT

NOTES

*ANY CUSTOM MODIFICATION WILL SUBJECT TO MINIMUM ORDER QUANTITY. (M.O.Q.)

RELATED PRODUCTS AVAILABLE:

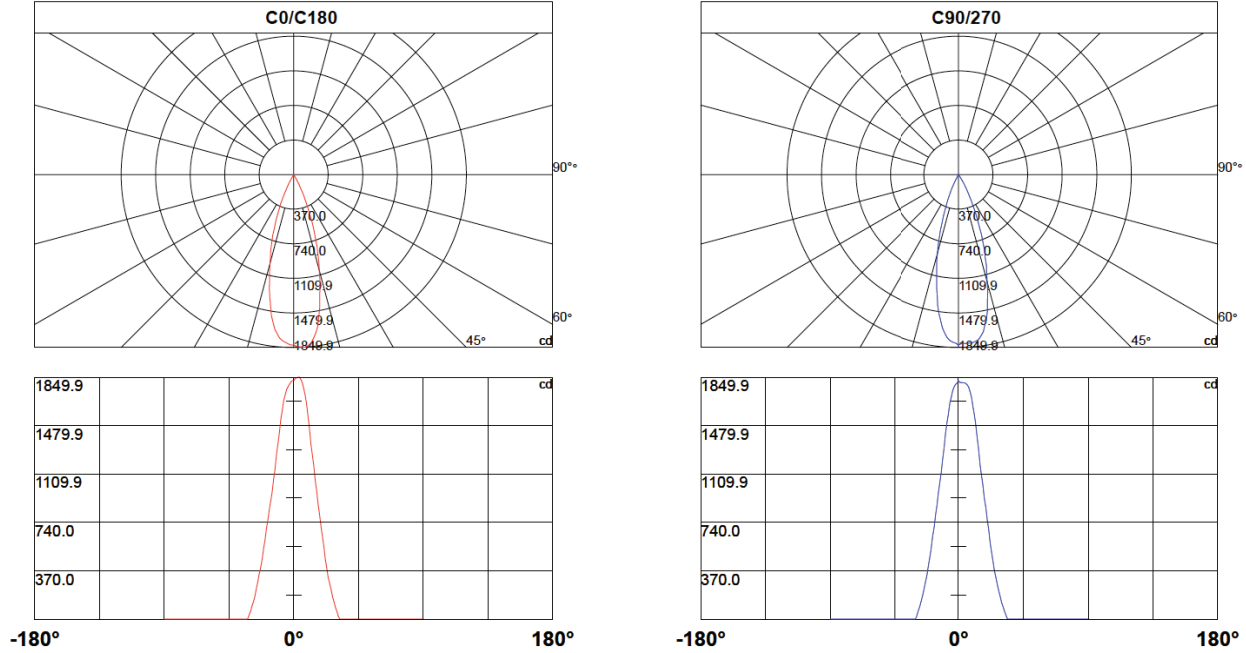
- VMDL000603A009WH
- VMDL000603B009WH
- VMDL000603R009WH
- VMDL000603R009BL



PROJECT: _____ TYPE: _____ CATALOG #: _____ DATE: _____

PHOTOMETRICS

30K - 3000 - STANDARD



BEAM ANGLE

30K - 3000 - STANDARD

