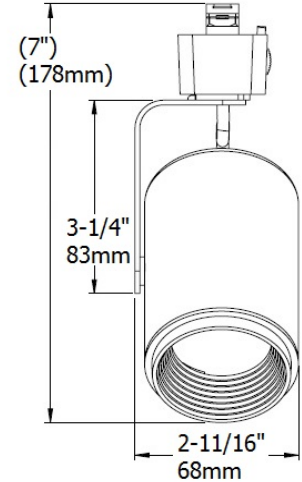
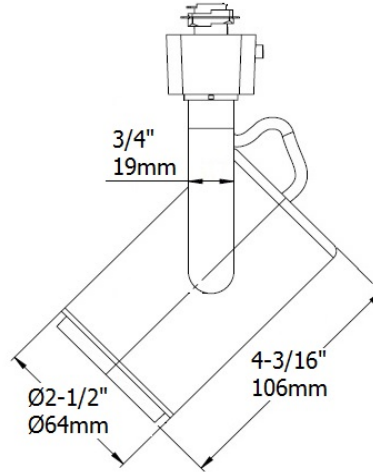
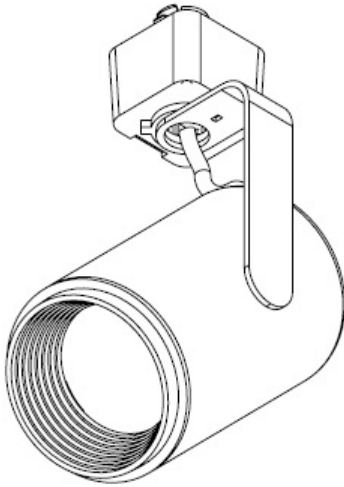




HV610

MINI FLAT BACK TRACK LUMINAIRE

| | |
|-------------|--|
| Type | |
| Project | |
| Catalog No. | |



DESCRIPTION

GU10 Halogen or LED track fixture in a simple yet detailed and functional design. No visible screw or rivet. Detailed yoke with smooth transition line. Suitable for residential application or any small spaces with low mounting height.

CONSTRUCTION

- Molded polycarbonate track fitting.
- Spring loaded locking tab.
- Steel yoke and lamp housing.
- Die-cast aluminum step baffle w/ accessory holder.
- Powder coat paint.
- 350° horizontal, ±90° vertical aim adjustment.

MOUNTING

Selection of three track fittings. Provides electrical and mechanical connection to single or two circuit track systems.

ELECTRICAL

Porcelain GU10 socket. Integral ON/OFF switch.

DIMMING

JESCO HV610 track luminaire is compatible with most dimming protocols prevalent in the United States. Please consult lamp manufacturer for latest compatibility information.

LAMPS

Halogen or LED. GU10 base 120V 50W max.

OPTICS

Accommodates 1 lens. The included clear lens should be discarded when using LED lamp for maximum heat dissipation.

LABELS

cULus Listed

WARRANTY

18 months

ORDERING INFORMATION

| SYSTEM | SERIES | FINISH |
|---|--------------|--|
| H2 = Jesco H1 Track or Halo ¹ Power-Trac L2 = Jesco L Track or Lightolier ² Lytespan Track J2 = Jesco J1, J2 or Juno ³ Trac-Master | HV610 | BK – Black WT – White |
| | HV610 | |

Notes:
¹Halo is a registered trademark of Cooper Lighting.
²Lightolier is a registered trademark of Philips Lighting.
³Juno is a registered trademark of Juno Lighting.



www.jescolighting.com
support@jescolighting.com
Tech Support: 855.592.0029

15 Harbor Park Drive
Port Washington, NY 11050
Main Line: 800.527.7796
Fax Line: 855.265.5768

219 South 6th Ave
City of Industry, CA 91746
Main Line: 855.654.0110
Fax Line: 626.333.2955

Specifications subject to change without notice.