

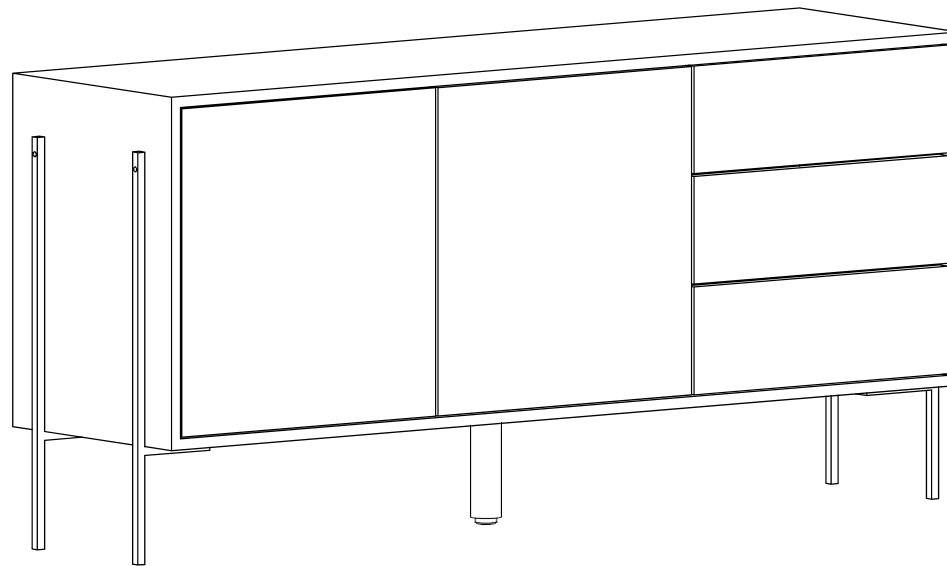
# MOE'S

home collection

## **ASSEMBLY INSTRUCTIONS.**

TOBIN SIDEBOARD CHARCOAL

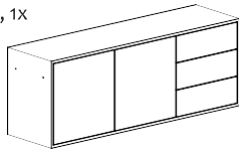
**JD-1005-07**



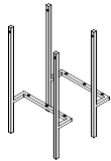
THANK YOU FOR YOUR PURCHASE!

## PARTS AND HARDWARE.

(A) Top , 1x



(B) Leg , 2x



(C) Center Leg, 1x



(D) Allen bolt , 4x



16mm x 6 mm

(E) Allen bolt , 4x



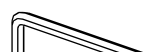
20mm x 6 mm

(F) Allen bolt , 4x



25mm x 6 mm

(G) Allen Key , 1x



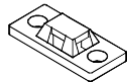
(5mm)

(H) Shelf Holder Pin , 4x



(32x6mm)

(I) Wall Clip , 2x



(J) Zip Tie , 2x

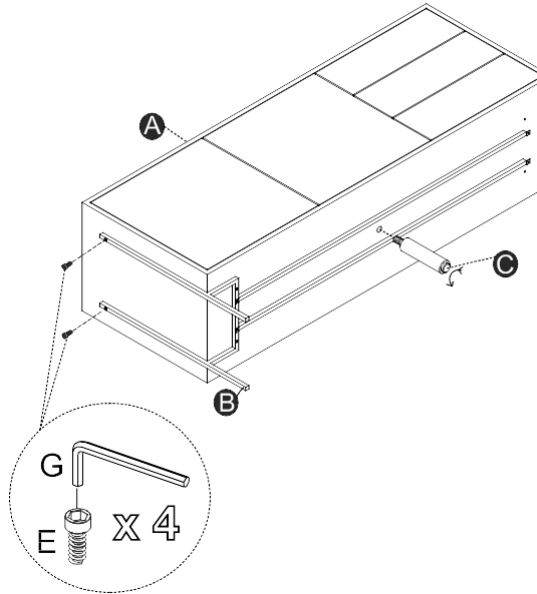


## NOTES.

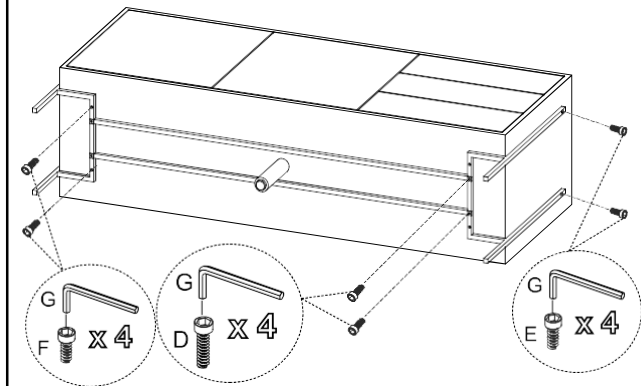
Thank you for purchasing this quality product! Be sure to check all packing material carefully for small part that may have come loose inside the carton during shipping.

**CAUTION:** The item is heavy, assembly should be performed by two people.

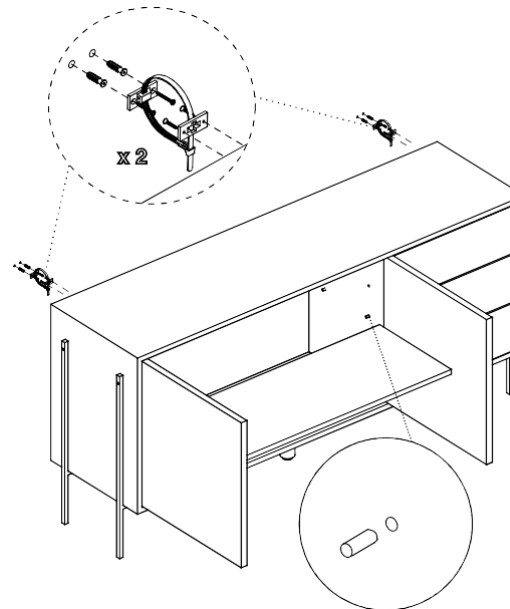
## STEP 1.



## STEP 2.



## STEP 3.



## STEP 4.

