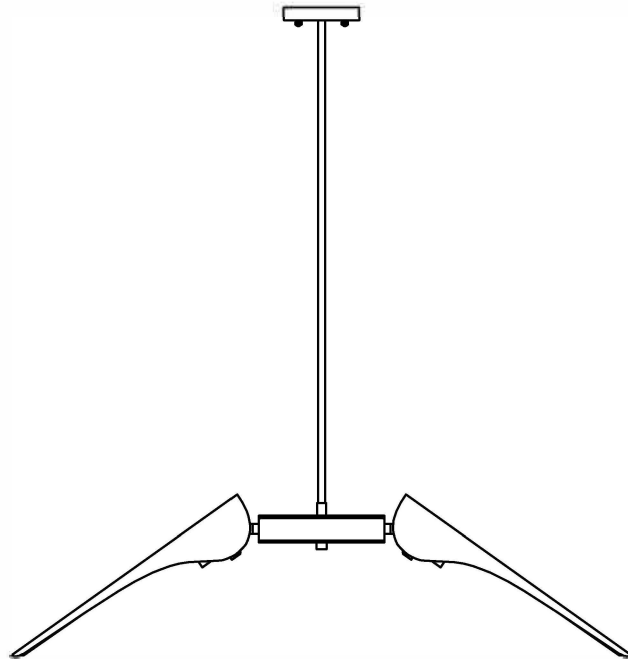


**Trade Mark:
CRYSTAL WORLD INC**

**Product Name: Pendant lamp
Model :1019P43-6-143
120Vac, 60Hz,AC ONLY
Lamp Size:D43**H3"**



PENDANT LAMP ASSEMBLY INSTRUCTIONS

1. Install bulbs (NOT INCLUDED).USE 120V E26  6*60W Max.

