



# CAL LIGHTING

3625 E. Philadelphia St. Ontario CA. 91761 • Tel:  
909.947.5200 • Fax:

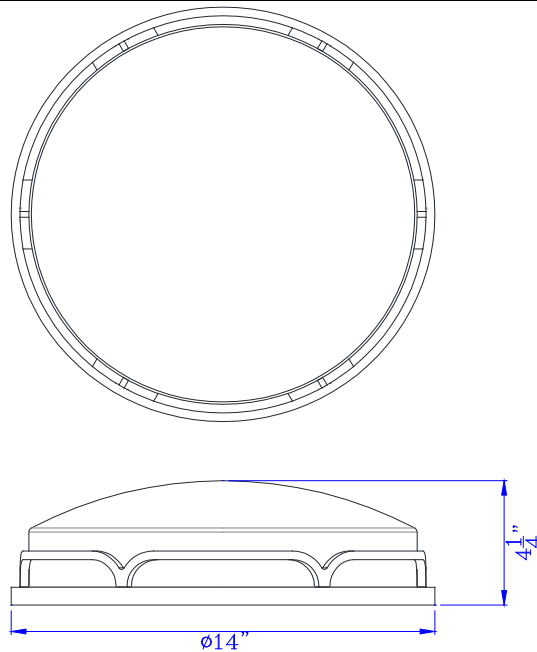
909.947.5673 • www.calighting.com • service@calighting.com •  
Specifications subject to change without notice

Type: \_\_\_\_\_

Project: \_\_\_\_\_

Catalog No.: \_\_\_\_\_

Lamp/Wattage: \_\_\_\_\_



- Model No. :** LA-702
- Description:** Integrated LED 26W, 1800 lumen, 80 CRI, ceiling flush mount w/ acrylic diffuser
- Material:** Acrylic/Metal
- Finish :** Painted Steel
- Length:** Dia.14"
- Width:** Dia.14"
- Reach:** 4 1/4"
- Voltage :** 120V
- Wattage :** 26W
- Dimming:** Dimmable
- CT:** 3000K
- Lumen :** 1800Lumen
- CRI :** 80
- Beam Angle:** None
- Rated Life :** 30,000 hours
- Warranty:** Three Years

**Certificate :**

