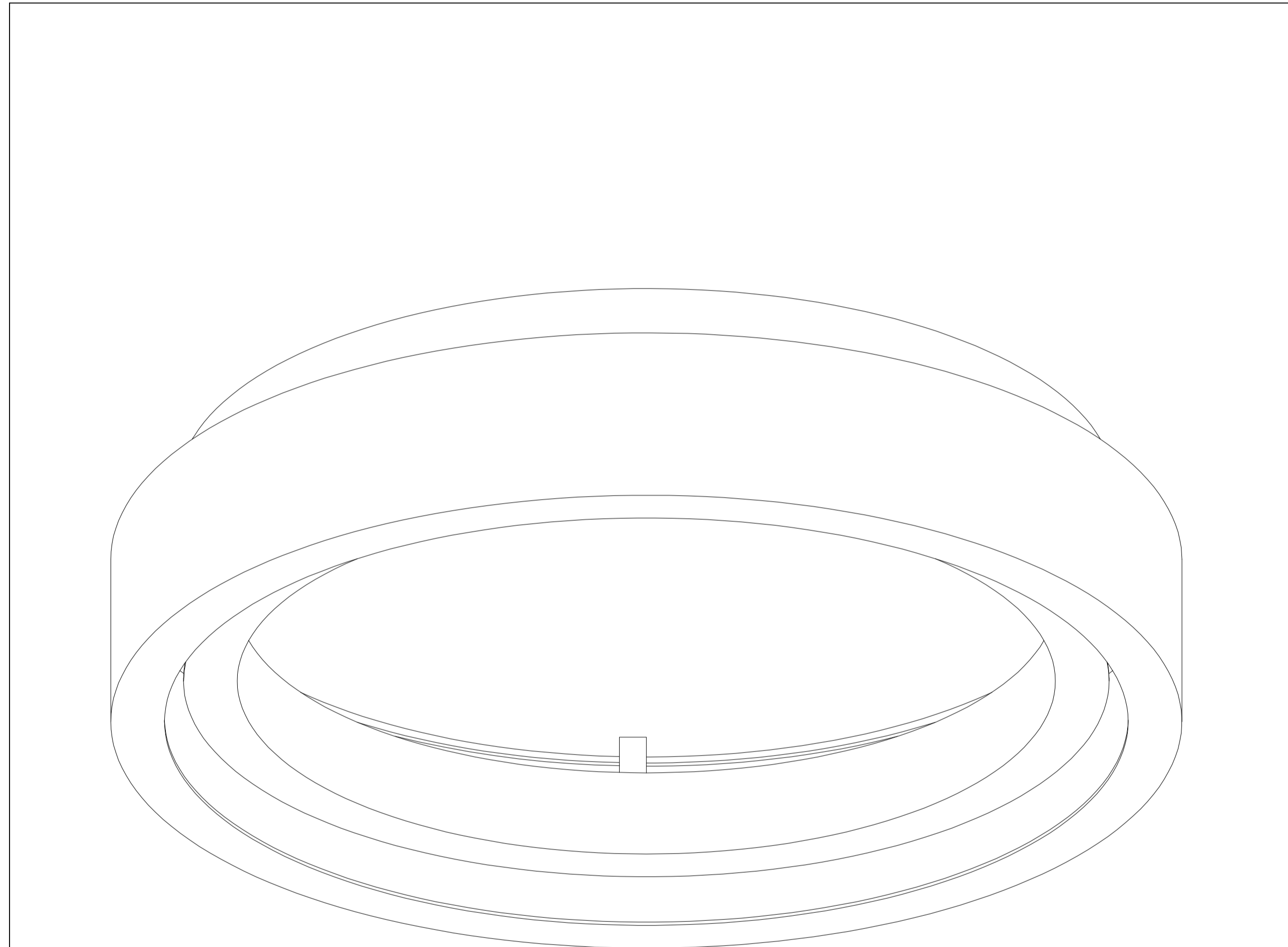


# Contemporary Lighting

Product Name: I-Corona  
Item Number: E35001-MW

Please consult a licensed electrician for hanging and wiring.



Dimmable only with Hue compatible devices.  
Requires Philips Hue Bridge for smart control or Philips Hue Wireless Dimmer Switch  
Please remove (wall or cord) dimmers between mains and luminaire or use the luminaire where no dimmers are in place.  
A dimmer will impact the performance and lifetime of the Product.  
Dimming up or down of the luminaire is to be done only with Hue compatible devices

**WARNING:** Wires need to be connected to driver found in canopy and should not be connected directly to power source or a short may occur .

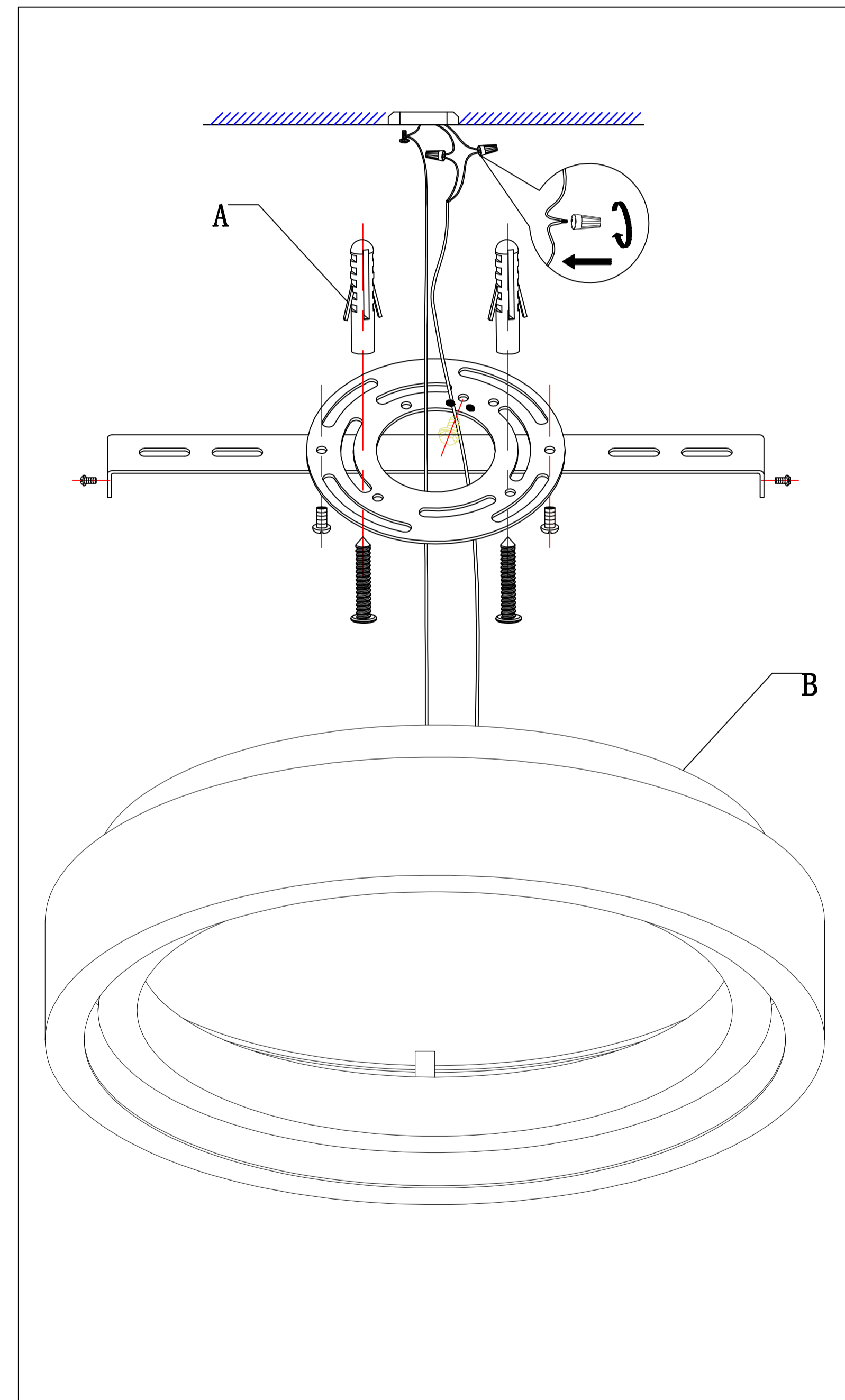
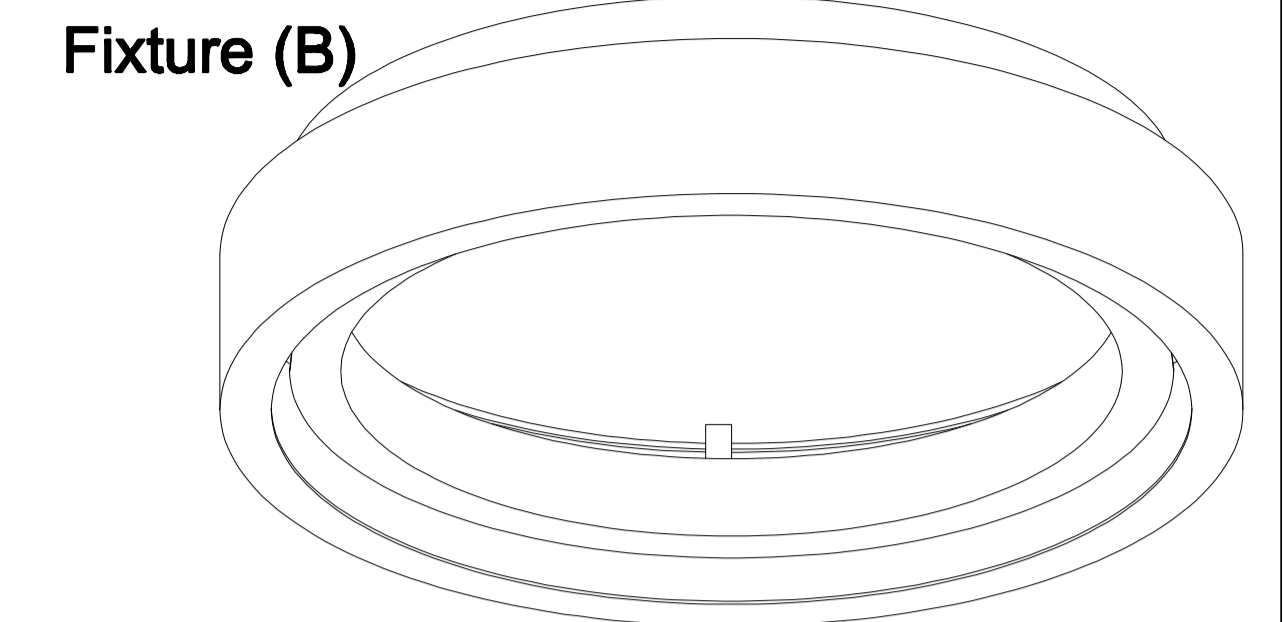
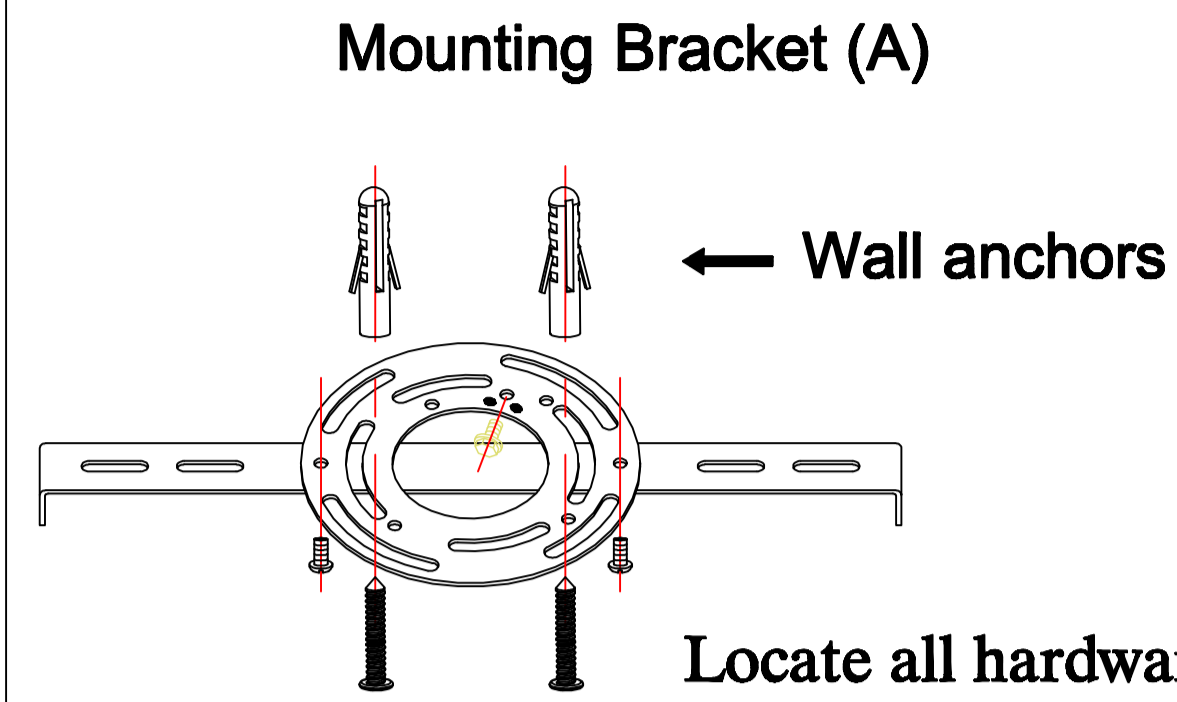
40W Friends of Hue Color Ambiance LED Strip (Integrated)



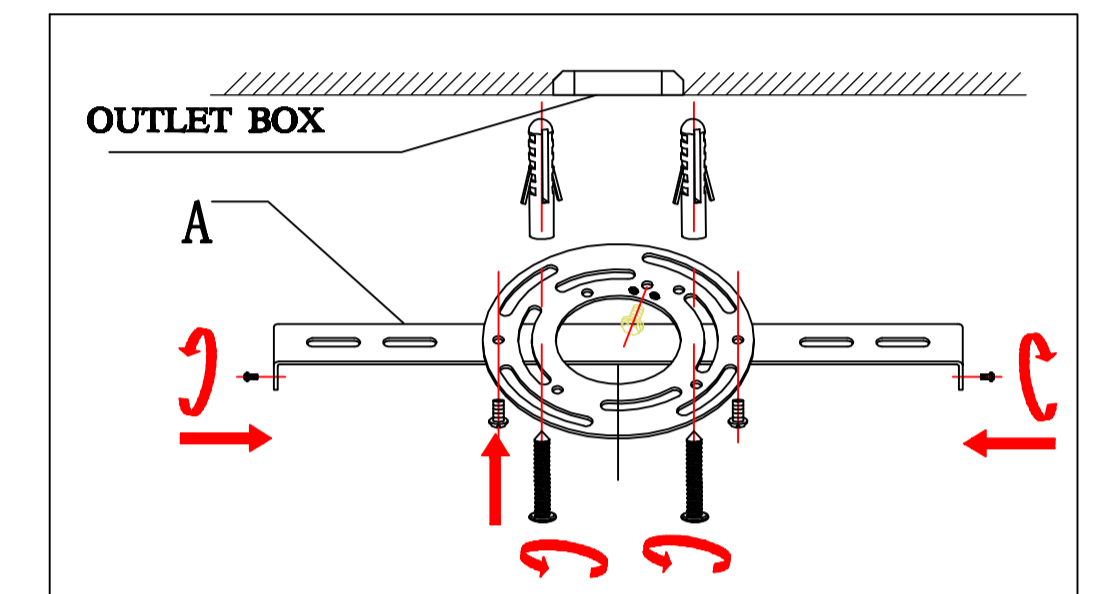
Made in China  
Page 1 of (2)

ET2 via its licencor grants you a non-exclusive right to solely access and use the software (and any updates thereto) included in the Hue Components as part of the Friends of Hue fixture. Any software included in the Hue Components (and any updates thereto), is licensed and not sold. No other use is permitted, and Signify (Philips Lighting) retains for itself all title and ownership to any software delivered hereunder

**IMPORTANT:** Turn off the power at the main fuse or circuit breaker box before starting installation

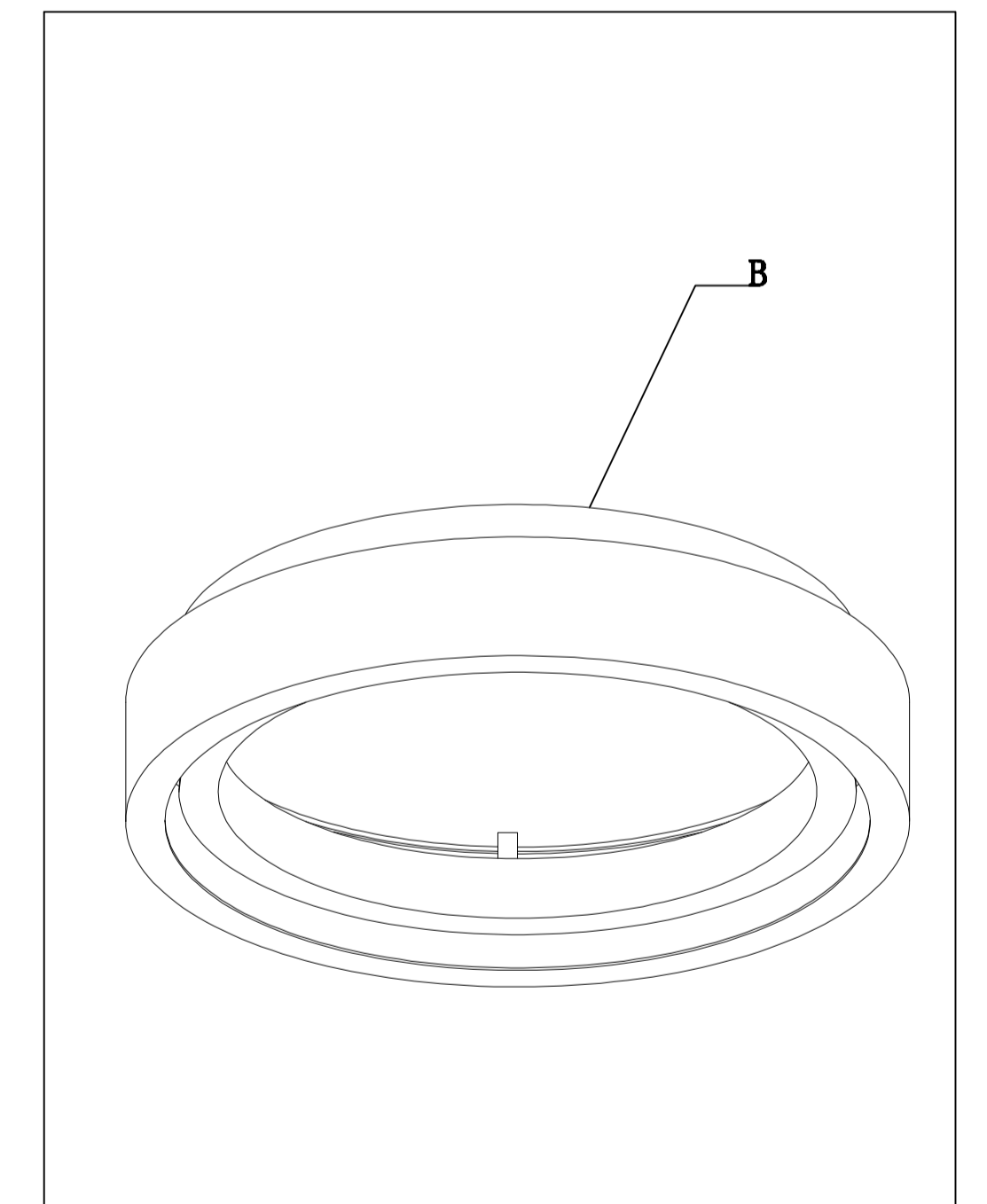


1.)



**Step.1:** Remove mounting bracket from fixture and install to electrical box. Mark where screws at ends of bracket meet the ceiling. Remove mounting bracket from ceiling. Drill holes using 3/16"± drill bit where marked. Install mounting bracket to outlet box and attach anchors to secure bracket at ends.

2.)



**Step.2:** Adjust wire length to desired mounting height, and tighten strain relief screws to secure. Wire fixture to wires in outlet box. Install fixture to bracket and tighten screws at the ends of the canopy to secure.



After installation is complete,  
Plug in your HUE Bridge and connect to the Wi-Fi router.  
Install the HUE App for pairing and configuring your Friends of HUE product.

Please be informed that Signify (Philips Lighting) will have access to your personal and usage data via the Hue bridge. In order to understand how Signify (Philips Lighting) processes your personal data and usage data please read respectively Supplier privacy notice and terms of use which can be found on [www.meethue.com](http://www.meethue.com)

**Cleaning & Care:**  
Clean with soft cloth and a mild detergent.  
Do not use abrasive cleaner.

Page 2 of (2)



INSTALL LIGHT

DOWNLOAD WIZ APP

PAIR YOUR NEW LIGHT

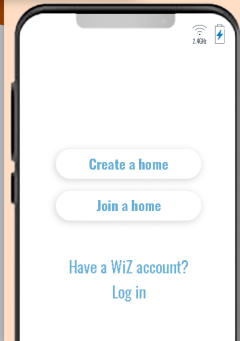


### STEP 1 DOWNLOADING THE WIZ APP

Make sure you've properly installed your light fixture prior to syncing device. Download the **Wiz App** from Google Play or the Apple App Store. **(IF YOU HAVE NOT YET INSTALLED YOUR LIGHT, INSTRUCTIONS CAN BE FOUND IN THE PRIOR PAGES TITLED "ASSEMBLY INSTRUCTIONS.")**

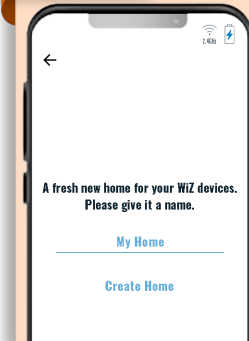
**NOTE:** The Wiz app **MUST CONNECT TO A 2.4GHz Wi-Fi NETWORK** IN ORDER TO PAIR YOUR LIGHTS.

#### STEP 2



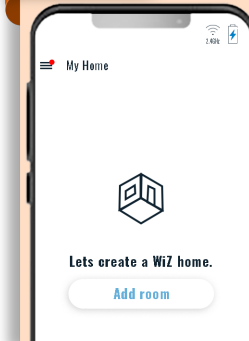
Create or join a home

#### STEP 3



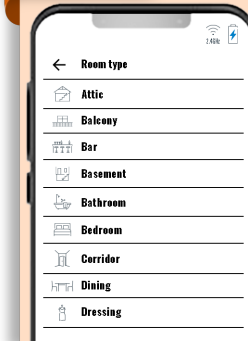
Name Your Home

#### STEP 4



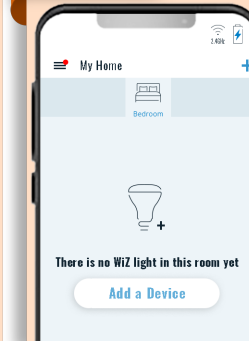
Add your rooms

#### STEP 5



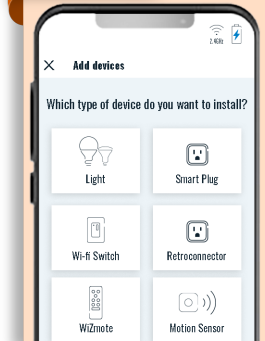
Choose your room

#### STEP 6



Add your devices

#### STEP 7



Select 'Type of device' and follow instructions

**NOTE:** Please allow up to 1 minute after initial startup, for fixture to pair.

### TROUBLESHOOTING

PROBLEM	CAUSE	SOLUTION
Unable to find light fixture on the network	Light may not be in Connectivity Mode	Cycle the light switch connected to light ON/OFF 3 times to enter <b>Pairing Mode</b> .
Unable to operate light fixture with the connected light switch	Wiring Issue	Review and confirm the INSTALLATION instructions.
	No Electricity	Check that the power is ON at the connected light switch and circuit breaker.
Lights not responding to WIZ APP control	Network is not connected	Check wireless network connectivity.
	Light may not be paired correctly	Cycle the light switch connected to light ON/OFF 5 times to enter <b>Pairing Mode</b> .
	Permissions are not granted on mobile device	Check to see that permissions are granted for the WIZ APP.
Lights not connecting to the WIZ APP	Wi-Fi password is incorrect	Re-enter WiFi Password.
	Weak/low Wi-Fi signal	Check Wi-Fi signal to ensure you're within range of router.
	Wi-Fi not connected	Confirm Wi-Fi router is broadcasting a 2.4GHz signal. Re-connect.



The following importer is the responsible party:  
LLC Sales, Inc. DBA Liteline USA  
1209 Orange Street, Wilmington, DE, 19801  
Liteline.com/contact-us

This device complies with part 15 of the FCC Rules. Operation is subject to the following two conditions: (1) This device may not cause harmful interference, and (2) this device must accept any interference received, including interference that may cause undesired operation.

Changes or modifications not expressly approved by the responsible party could void the user's authority to operate the equipment.

Note: This equipment has been tested to comply with the limits for a Class B digital device, pursuant to part 15 of the FCC Rules. These limits are designed to provide reasonable protection against harmful interference in a residential installation. This equipment generates, uses and can radiate radio frequency energy and, if not installed and used in accordance with the instructions, may cause harmful interference to radio communications. However, there is no guarantee that interference will not occur in a particular installation. If this equipment does cause harmful interference to radio or television reception, which can be determined by turning the equipment off and on, the user is encouraged to try to correct the interference by one or more of the following measures: (1) reorient or relocate the receiving antenna; (2) increase the separation between the equipment and receiver; (3) connect the equipment into an outlet on a circuit different from that to which the receiver is connected; consult the dealer or an experienced radio/TV technician for help.

#### RF Exposure Requirements:

This device complies with FCC RF radiation exposure limits set forth for an uncontrolled environment. The antenna(s) used for this transmitter must not be co-located or operating in conjunction with any other antenna or transmitter and must be installed to provide a separation distance of at least 20cm from all persons.

#### ISED Canada Compliance Statement:

This device contains licence-exempt transmitter(s)/receiver(s) that comply with Innovation, Science and Economic Development Canada's licence exempt RSS(s). Operation is subject to the following two conditions: (1) This device may not cause interference; and (2) This device must accept any interference, including interference that may cause undesired operation of the device.

#### Déclaration de Conformité ISDE Canada

L'émetteur/récepteur exempt de licence contenu dans le présent appareil est conforme aux CNR d'Innovation, Sciences et Développement Économique Canada applicables aux appareils radio exempts de licence. L'exploitation est autorisée aux deux conditions suivantes: (1) L'appareil ne doit pas produire de brouillage; et (2) L'appareil doit accepter tout brouillage radioélectrique subi, même si le brouillage est susceptible d'en compromettre le fonctionnement.

For more help contact WIZ support:

[www.liteline.com/Wizsupport](http://www.liteline.com/Wizsupport)



Installez votre  
luminaire

Téléchargez  
l'application

Synchronisez votre  
nouveau luminaire

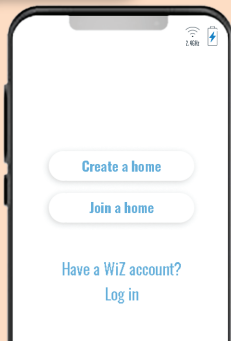


## ETAPE 1 TÉLÉCHARGER L'APPLICATION WIZ

Assurez vous d'installer votre luminaire correctement avant de le synchroniser. Téléchargez l'application **WIZ** depuis Google Play ou sur l'App Store. **(SI VOTRE LUMINAIRE N'EST PAS ENCORE INSTALLÉ, REFERREZ VOUS AUX INSTRUCTIONS EN DÉBUT DE SECTION SOUS LA RUBRIQUE "INSTRUCTIONS D'ASSEMBLAGE").**

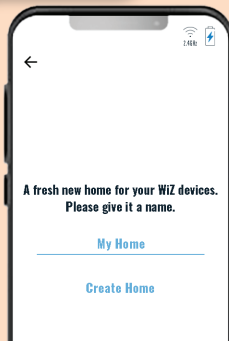
**NOTE:** L'application WIZ **DOIT OBLIGATOIREMENT ÊTRE CONNECTÉE A UN RÉSEAU Wi-Fi 2.4Gz** afin de synchroniser vos luminaires.

### ETAPE 2



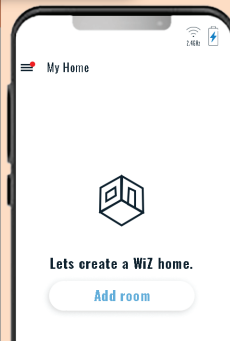
Créer un domicile  
Joindre un domicile

### ETAPE 3



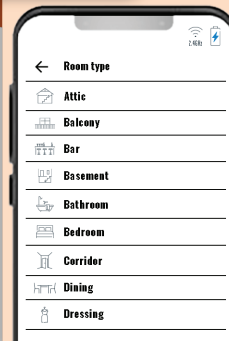
Nommez votre  
Domicile

### ETAPE 4



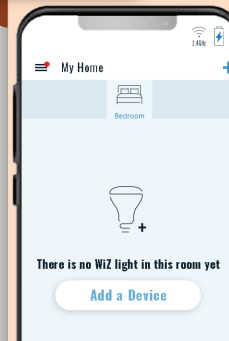
Ajoutez vos  
pièces

### ETAPE 5



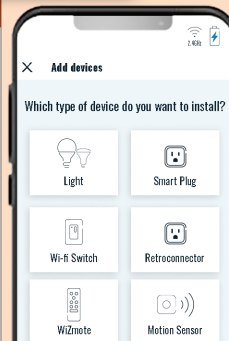
Choisissez votre  
pièce

### ETAPE 6



Ajouter vos  
appareils

### ETAPE 7



Sélectionnez 'Type of  
device' et suivez  
les instructions

**NOTE:** Apres la première installation, veuillez patienter 1 minute avant chaque mise à jour

## DÉPANNAGE

PROBLÈME	CAUSE	SOLUTION
Luminaire introuvable sur le réseau	Luminaire pourrait ne pas être au mode de connectivité	Actionnez l'interrupteur connecté au luminaire trois fois (ALLUMÉ/ÉTEINT) pour passer au <b>Mode de Jumelage</b> .
Impossible d'actionner luminaire avec l'interrupteur connecté	Problème de câblage	Relisez les instructions d'INSTALLATION et confirmez.
	Pas d'électricité	Assurez-vous que l'interrupteur connecté et le disjoncteur du circuit sont sous tension.
Luminaire ne réagit pas à une commande de l'appli WIZ	Réseau non connecté	Vérifiez la connectivité au réseau sans fil.
	Luminaire n'est pas jumelé correctement	Actionnez l'interrupteur connecté au luminaire cinq fois (ALLUMÉ/ÉTEINT) pour passer au <b>Mode de Jumelage</b> .
	Permissions non accordées sur l'appareil mobile	Assurez-vous que les permissions sont accordées à l'appli WIZ.
Luminaire ne se connecte pas à l'appli WIZ	Mot de passe WiFi incorrect	Saisissez le mot de passe WiFi de nouveau.
	Signal WiFi faible	Assurez-vous d'être en-deça de la portée du répartiteur.
	WiFi non connecté	Assurez-vous que le répartiteur WiFi émet un signal de 2,4 GHz. Reconnectez-vous.



The following importer is the responsible party:  
LLC Sales, Inc. DBA Liteline USA  
1209 Orange Street, Wilmington, DE, 19801  
Liteline.com/contact-us

This device complies with part 15 of the FCC Rules. Operation is subject to the following two conditions: (1) This device may not cause harmful interference, and (2) this device must accept any interference received, including interference that may cause undesired operation.

Changes or modifications not expressly approved by the responsible party could void the user's authority to operate the equipment.

Note: This equipment has been tested to comply with the limits for a Class B digital device, pursuant to part 15 of the FCC Rules. These limits are designed to provide reasonable protection against harmful interference in a residential installation. This equipment generates, uses and can radiate radio frequency energy and, if not installed and used in accordance with the instructions, may cause harmful interference to radio communications. However, there is no guarantee that interference will not occur in a particular installation. If this equipment does cause harmful interference to radio or television reception, which can be determined by turning the equipment off and on, the user is encouraged to try to correct the interference by one or more of the following measures: (1) reorient or relocate the receiving antenna; (2) increase the separation between the equipment and receiver; (3) connect the equipment into an outlet on a circuit different from that to which the receiver is connected; consult the dealer or an experienced radio/TV technician for help.

#### RF Exposure Requirements:

This device complies with FCC RF radiation exposure limits set forth for an uncontrolled environment. The antenna(s) used for this transmitter must not be co-located or operating in conjunction with any other antenna or transmitter and must be installed to provide a separation distance of at least 20cm from all persons.

#### ISED Canada Compliance Statement:

This device contains licence-exempt transmitter(s)/receiver(s) that comply with Innovation, Science and Economic Development Canada's licence exempt RSS(s). Operation is subject to the following two conditions: (1) This device may not cause interference; and (2) This device must accept any interference, including interference that may cause undesired operation of the device.

#### Déclaration de Conformité ISDE Canada

L'émetteur/récepteur exempt de licence contenu dans le présent appareil est conforme aux CNR d'Innovation, Sciences et Développement Économique Canada applicables aux appareils radio exempts de licence. L'exploitation est autorisée aux deux conditions suivantes: (1) L'appareil ne doit pas produire de brouillage; et (2) L'appareil doit accepter tout brouillage radioélectrique subi, même si le brouillage est susceptible d'en compromettre le fonctionnement.

Pour plus d'aide, veuillez contacter Wiz Support à l'aide du lien suivant

[www.liteline.com/WIZsupport](http://www.liteline.com/WIZsupport)