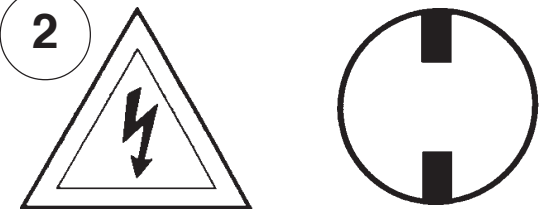


CHANDELIER 1308H TRIM DIAGRAM

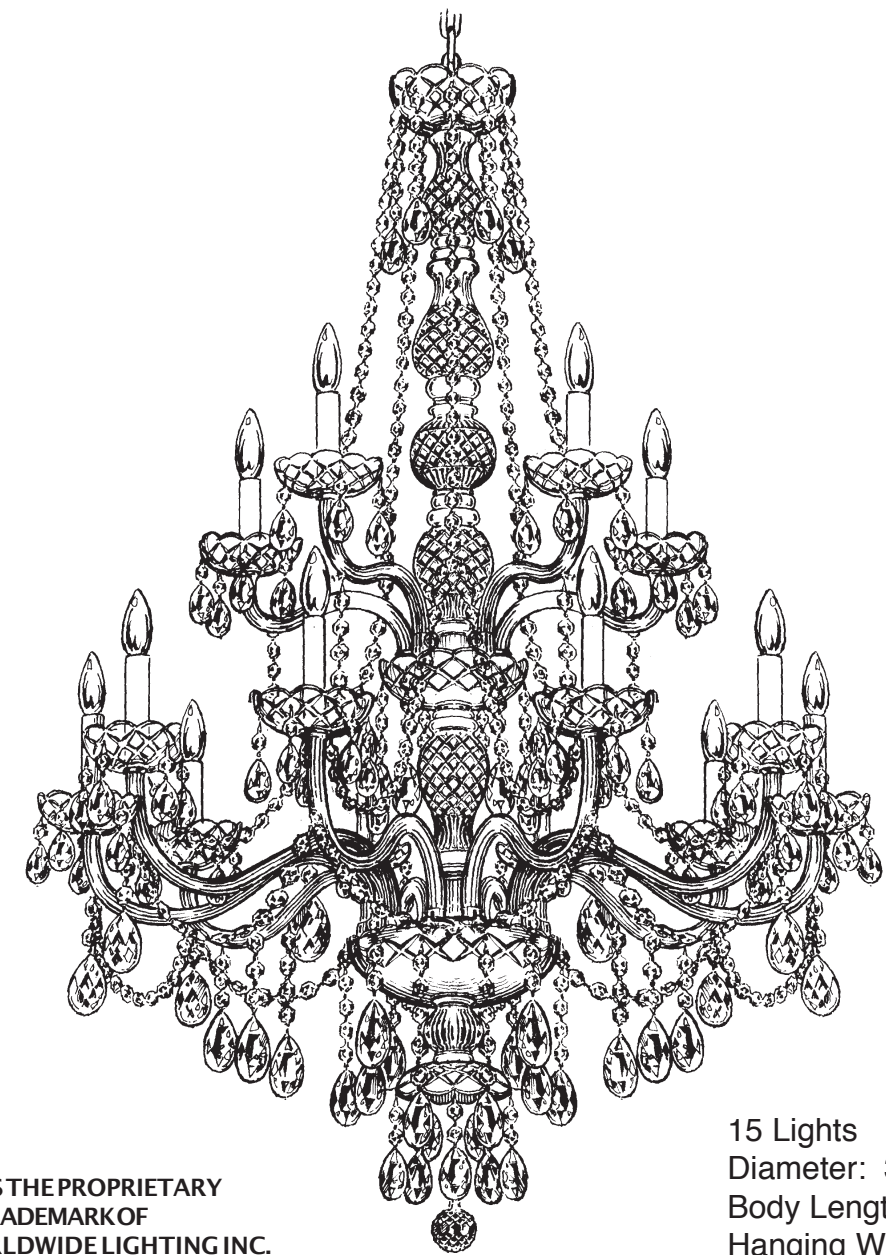
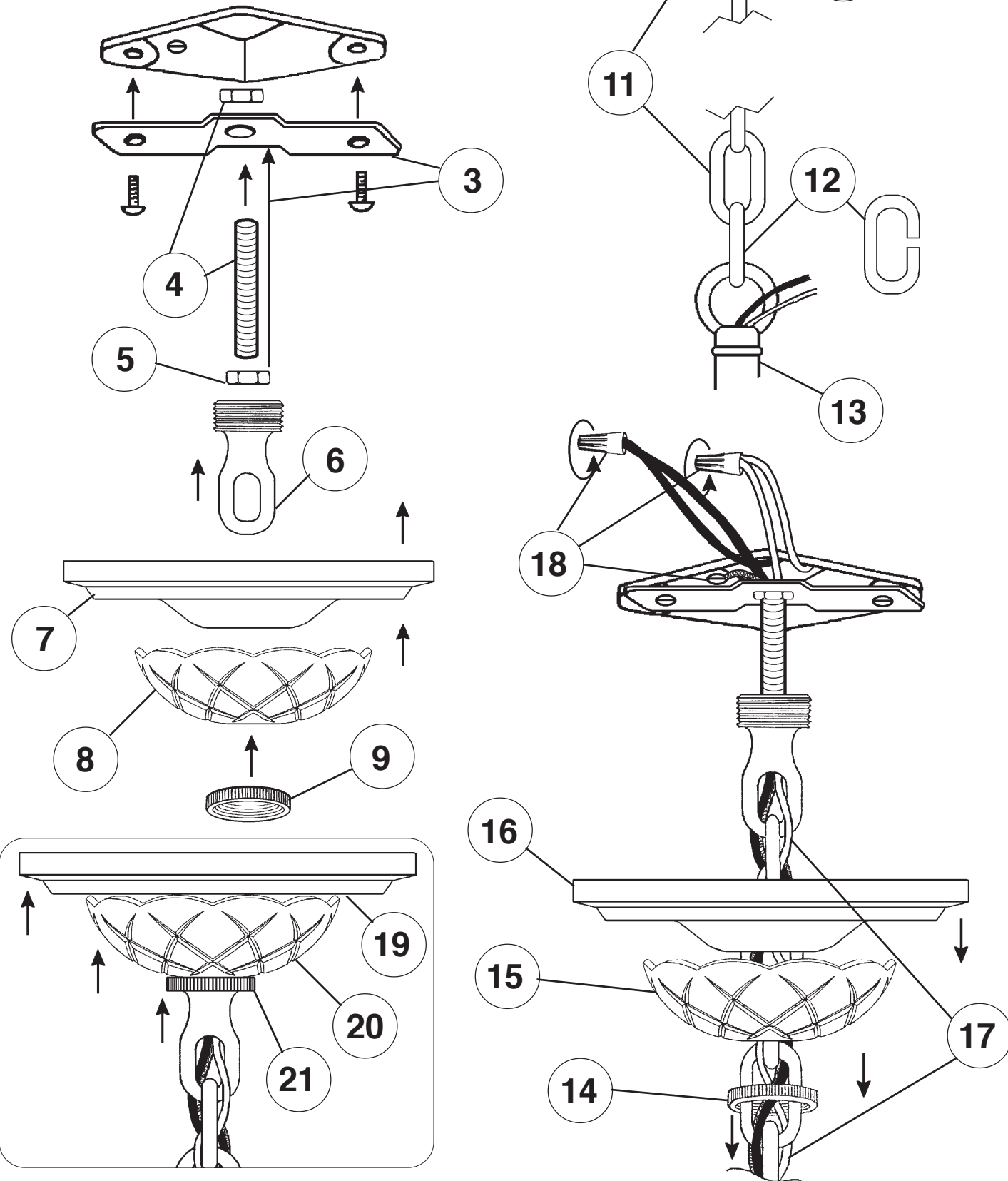
Instructions for electrician STEPS 2 - 21

WARNING:

2 

Electrical Danger Turn Power Off

All electrical components must be installed by a licensed electrician in accordance with the National Electric Code and the appropriate local electrical codes.



15 Lights
Diameter: 32"
Body Length: 48"
Hanging Weight: 30 pounds

T HIS DESIGN IS THE PROPRIETARY TRADE DRESS/TRADE MARK OF SCHONBEK WORLDWIDE LIGHTING INC.

SCHONBEK®

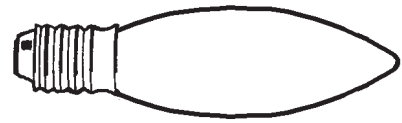
See diagram on back page
Follow steps in exact order
Save this trim diagram for future reference

1 **IMPORTANT**
Person who opens carton should record the following information for future service.

CODE # _____ Four-digit number on outside of carton.
PACKER # _____ See crystal package label.
ORDER # _____ See crystal package label.

SCHONBEK IS A WORLD LEADER IN CHANDELIER DESIGN. PATENTS INCLUDE:
#D5,460,269 & D5,873,652

Instructions for crystal trimming
STEPS 22 - 34



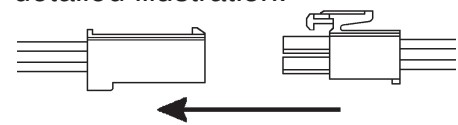
23

You will need 15 - B10
25 Watts Recommended
60 Watts Max

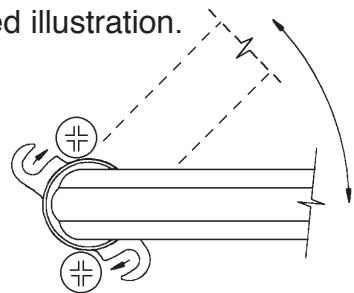
Install bulbs and be
sure to test fixture
BEFORE trimming.

22

Connect upper arm wires to the
center column using plug-in connectors.
See detailed illustration.



Push wires into hole and attach arm to
upper washer by rotating arm into place.
Lock down by tightening screws into flange.
See detailed illustration.



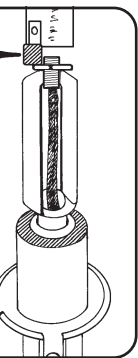
Repeat steps for lower arms.
Install bobeches.

CAUTION: Glass parts are fragile.
To avoid breakage use care when
assembling or cleaning.

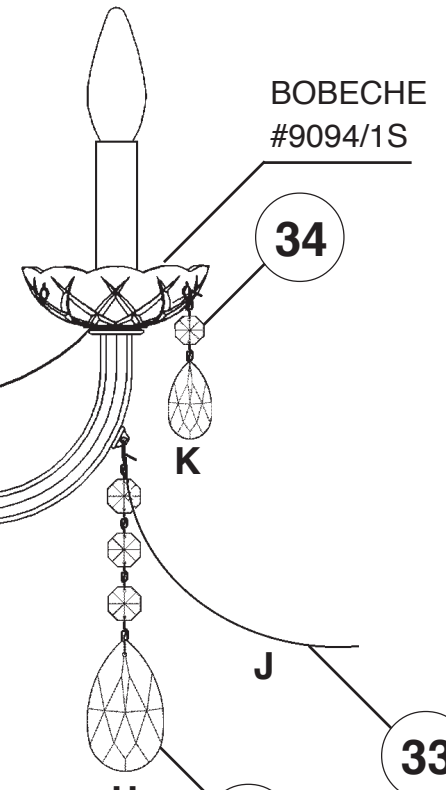
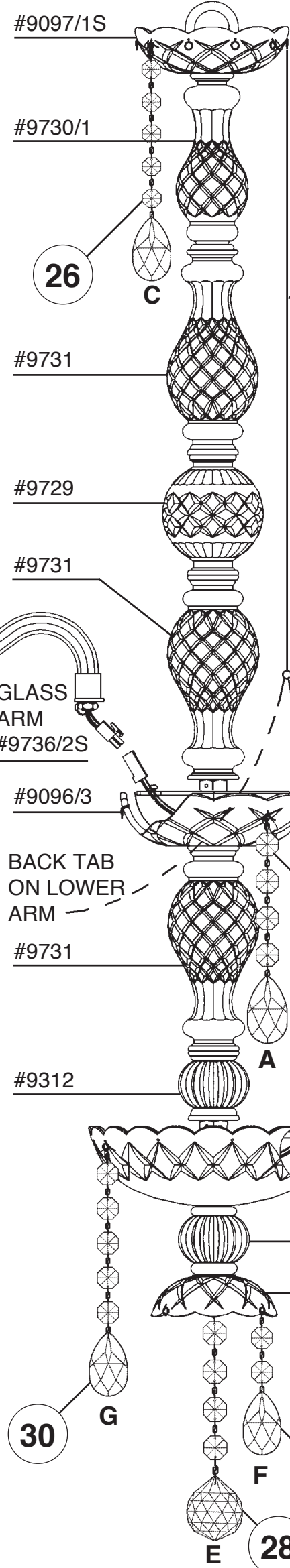
**WHEN ORDERING REPLACEMENT
ARM(S):**

- Give arm number from trim diagram
- Give color code from the arm itself

COLOR →



BOBECHE
#9094/1S



LOWER ARM TO
LOWER ARM

