



CAL LIGHTING

3625 E. Philadelphia St. Ontario CA. 91761 • Tel: 909.947.5200 • Fax:
909.947.5673 • www.calighting.com • service@calighting.com •
Specifications subject to change without notice

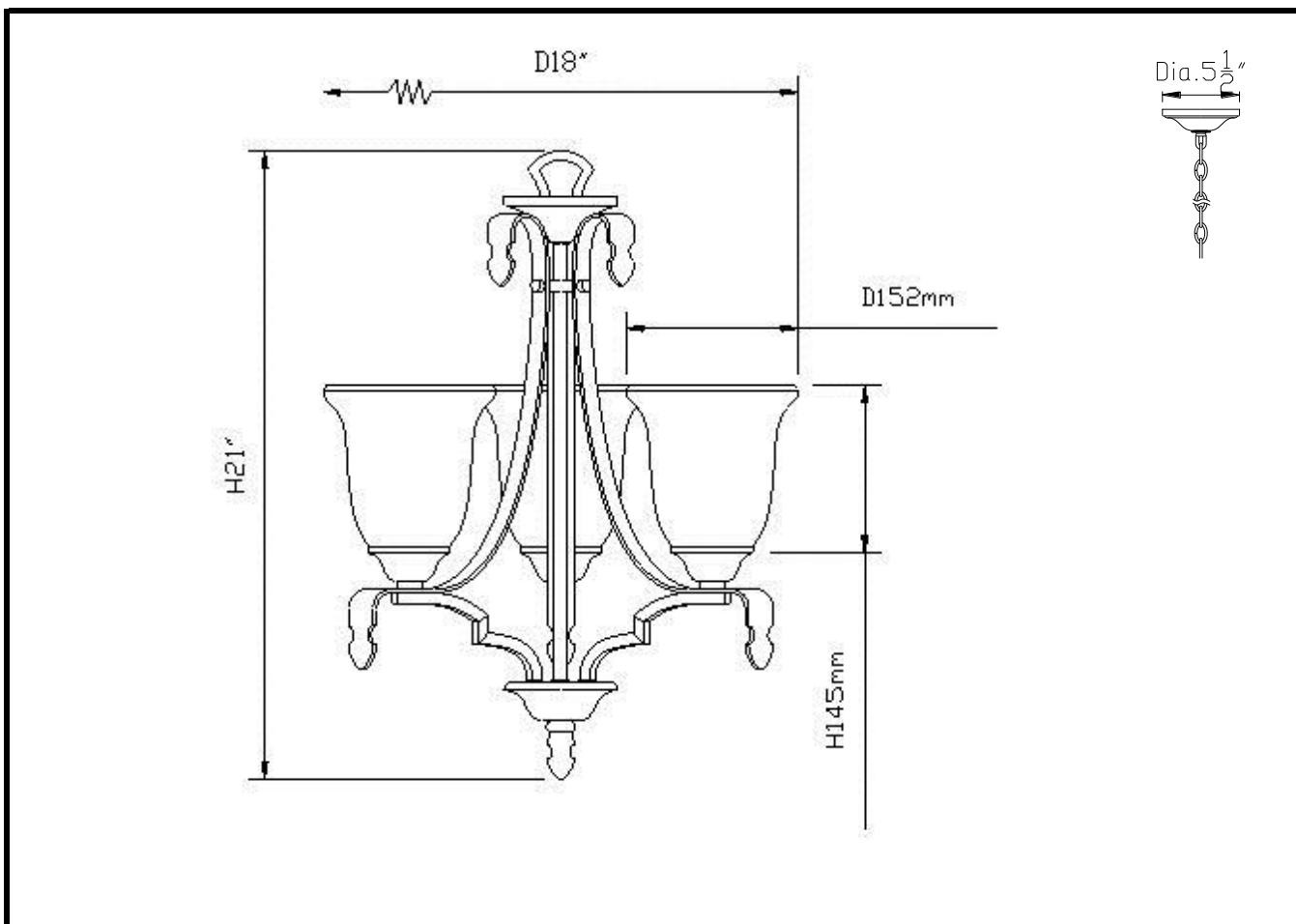
Type: _____

Project: _____

Catalog No.: _____

Lamp/Wattage: _____

Drawing:



- Model No:** FX-3506/3
Description: Dabois Hand Forged Iron 3 Light Chandelier With Glass Shades
Material: Metal
Finish : Gold Bronze
Height: 21"
Width: 18"
Wattage : 60W x 3
Socket : Medium Base (E26)
Bulb: Incandescent
Chain Length: 6'
Wire Length: 10'
Wire Color: Brown
Shade No:
Material: Glass
Shade size: D 6" X 5 1/2"
Certificate : 