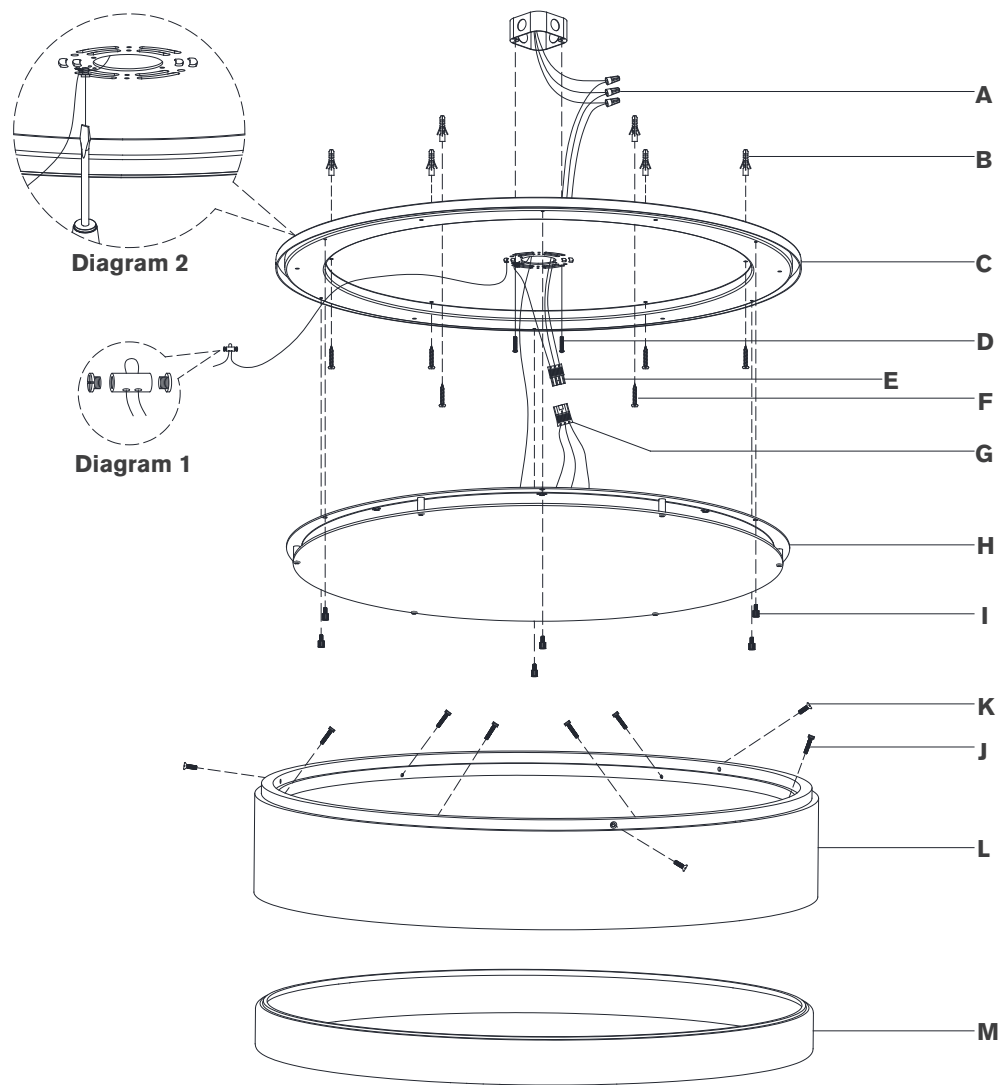


## ASSEMBLY INSTRUCTIONS



## Shaw Grande Flush Mount

Item # S 4045

### NOTICE:

This light fixture should be installed in accordance with all applicable, local installation codes, and by a person familiar with the construction and operation of it, as well as the hazards involved. Inspect item and contents carefully. If any damage or defect is found, do not install. Retain all packaging material until installation is complete and approved.

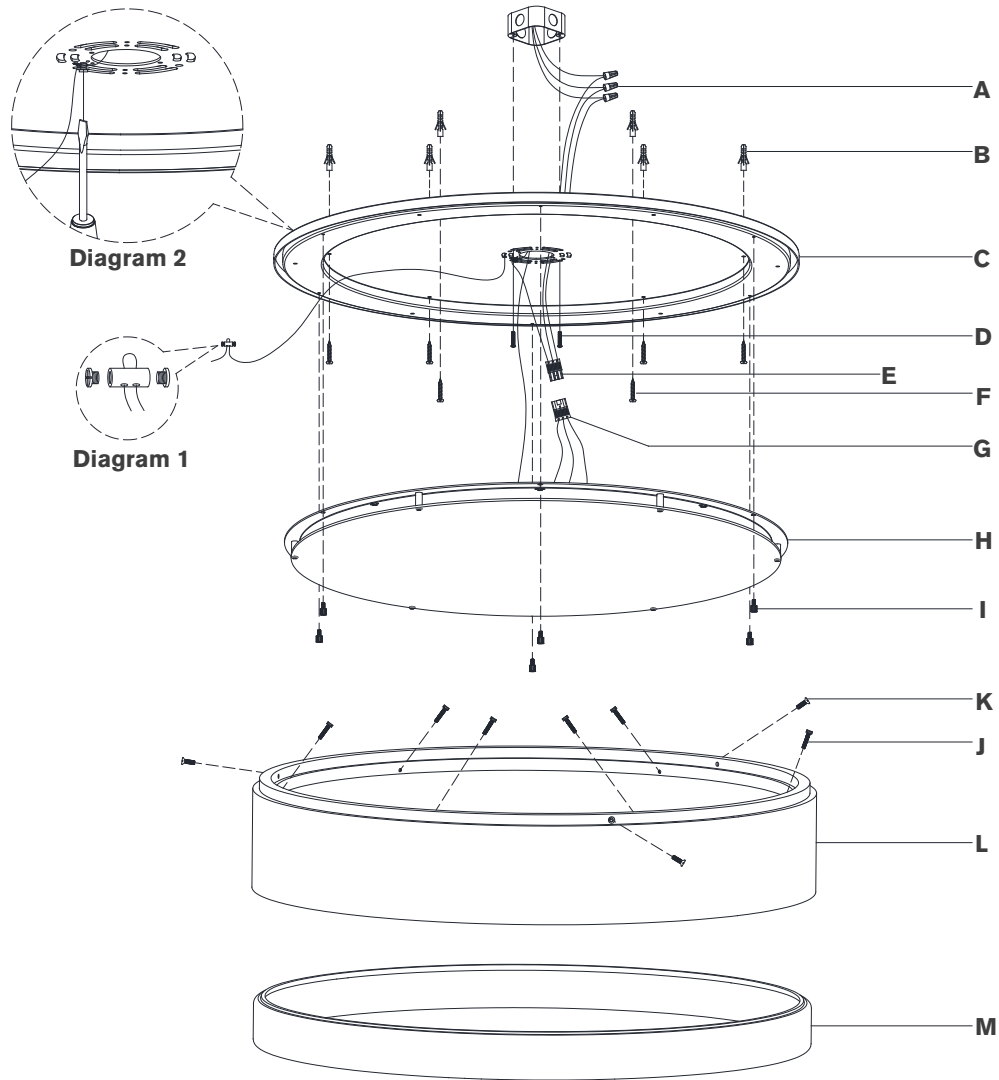
### TOOLS REQUIRED (NOT INCLUDED):

Phillips Screwdriver          Slotted Screwdriver          Drill  
Pencil                                  Hammer

1. Carefully remove all parts from the box. Place on a clean, soft surface.
2. Remove mounting plate (C) from fixture body (L) by removing screws (K).
3. Remove light source (H) from mounting plate (C) by removing screws (I).
4. Using mounting plate (C) as a guide, line up with the junction box and mark anchor positions.
5. Using a drill bit slightly smaller than the anchor, drill holes in the marked positions. Install anchors (B) into the holes using hammer.
6. Install mounting plate (C) to the junction box and secure with mounting screws (D), then secure wood screws (F) to anchors (B).
7. Run support cable through hole on back of mounting plate (C). Loosen cable lock and install to end of support cable. Insert other end of cable through the cable lock and tighten ends with a screwdriver to secure. (see diagram 1)
8. Remove quick connector (G) from light source.
9. Wrap quick connector ground wire (bare copper) around the green grounding screw (see diagram 1). Tighten. Continue quick connector ground wire and connect to supply ground wire (usually green or bare copper) using wire nut (A).

**NOTE:** It is imperative that the fixture is grounded.

## ASSEMBLY INSTRUCTIONS



## Shaw Grande Flush Mount

Item # S 4045

### NOTICE:

This light fixture should be installed in accordance with all applicable, local installation codes, and by a person familiar with the construction and operation of it, as well as the hazards involved. Inspect item and contents carefully. If any damage or defect is found, do not install. Retain all packaging material until installation is complete and approved.

10. Connect quick connector neutral wire (white) to the supply neutral wire (usually white) using wire nut **(A)**.
11. Connect quick connector hot wire (black) to the supply hot wire (usually black) using wire nut **(A)**.  
**CAUTION:** Do not reverse the hot and neutral connections.
12. Make sure all wire connections are tight, then carefully tuck into the junction box.
13. Connect quick connectors **(E & G)** together, then install light source **(J)** to mounting plate **(C)** and secure with screws **(I)**.
14. Install glass shade **(M)** to fixture body **(L)** and secure with screws **(J)**.  
**NOTE:** Do not over-tighten otherwise shade could become damaged.
15. Install fixture body **(L)** to mounting plate **(C)** and secure with screws **(K)**.

**Care Instructions:** Clean only with a soft dry cloth or feather duster. Do not use abrasive or chemical agents.