

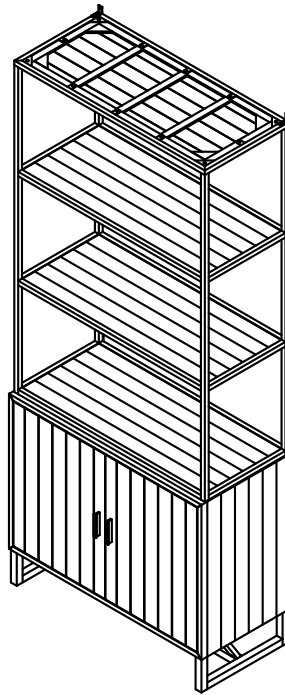
# MOE'S

home collection

## ASSEMBLY INSTRUCTIONS.

SIERRA BOOKSHELF NATURAL



**FR-1043-24**








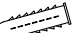




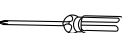
THANK YOU FOR YOUR PURCHASE!

# PARTS AND HARDWARE.

## PARTS LIST

NO.	DESCRIPTION	IMAGE	Q'TY
P1	TOP SHELF		1
P2	BASE CABINET		1

## HARDWARE LIST

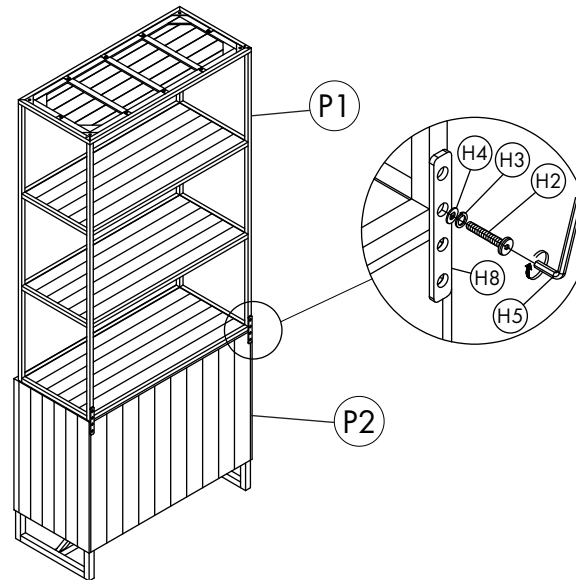
NO.	DESCRIPTION	IMAGE	Q'TY
H1	BOLT M6 x 20		4
H2	BOLT M8 x 20		8
H3	SPRING WASHER M8		8
H4	WASHER M8		8
H5	ALLEN KEY M4		1
H6	WALL ANCHOR		2
H7	SCREW M6 x 60		2
H8	METAL PLATE		2
H9	METAL PLATE		2
H10	SCREW M4 x 40		2
H11	SCREW DRIVER		NOT PROVIDE

## NOTES.

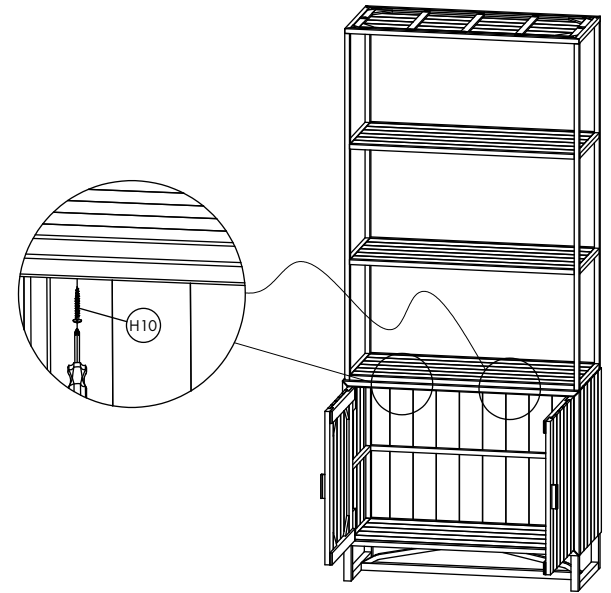
Thank you for purchasing this quality product! Be sure to check all packing material carefully for small part that may have come loose inside the carton during shipping.

**CAUTION:** The item is heavy, assembly should be performed by two people.

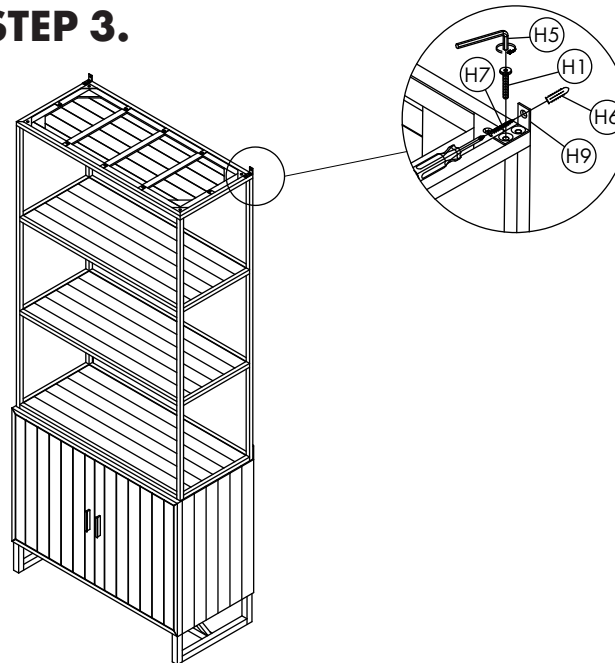
## STEP 1.



## STEP 2.



## STEP 3.



## STEP 4.

