

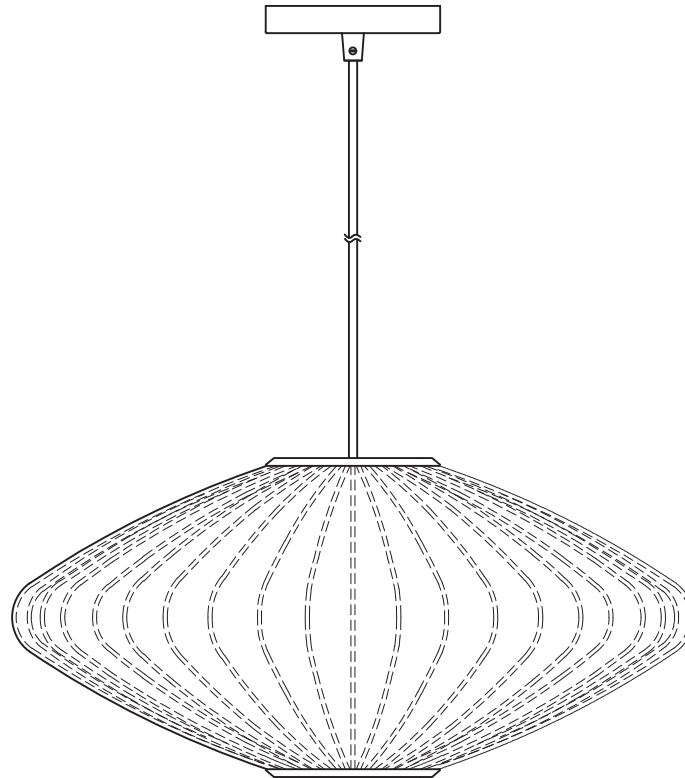
# MOE'S

home collection

## **ASSEMBLY INSTRUCTIONS.**

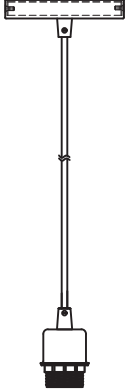


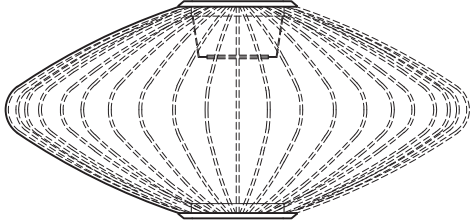
LYS PENDANT LIGHT

**ZA-1008-18**



THANK YOU FOR YOUR PURCHASE!

## PARTS AND HARDWARE.

Lamp Body 1PC	Terminal 3PCS
	
	Screw 3PCS
	
Glass Shade 1PC	
	

### NOTES.

Thank you for purchasing this quality product!  
Be sure to check all packing material carefully for small part that may have come loose inside the carton during shipping.

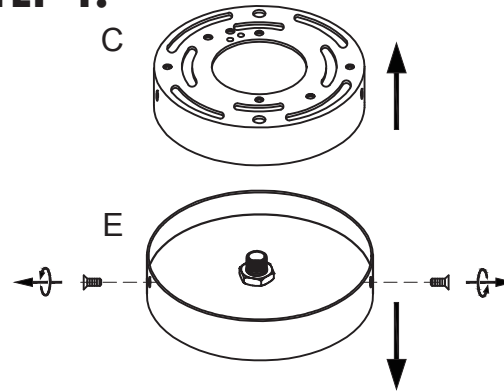
Have 2 adults on hand for assembly.

Assemble on a padded, non-marring surface

Ensure the bulb is secure in the socket before operating the pendant.

**CAUTION:** To prevent the risk of fire, do not use light bulbs with wattage greater than 15W.

### STEP 1.

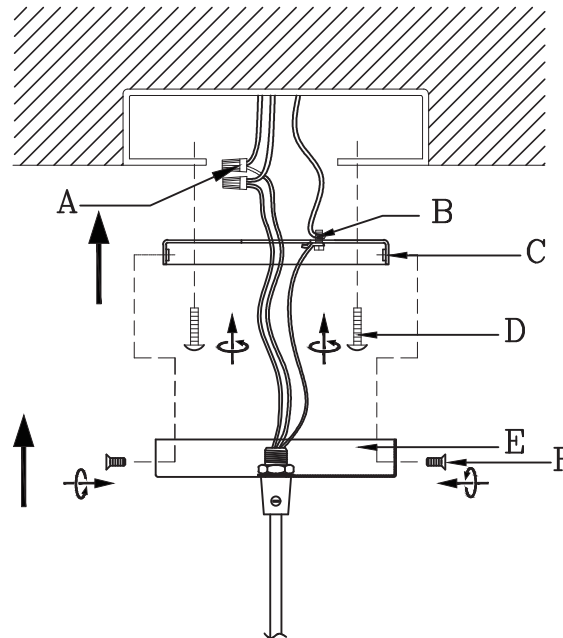


### STEP 2.

(N) Neutral (White)

(E) Earth

(L) Live (Black)



### STEP 3.

