



CAL LIGHTING

3625 E. Philadelphia St. Ontario CA. 91761 • Tel: 909.947.5200 • Fax:
909.947.5673 • www.calighting.com • service@calighting.com •
Specifications subject to change without notice

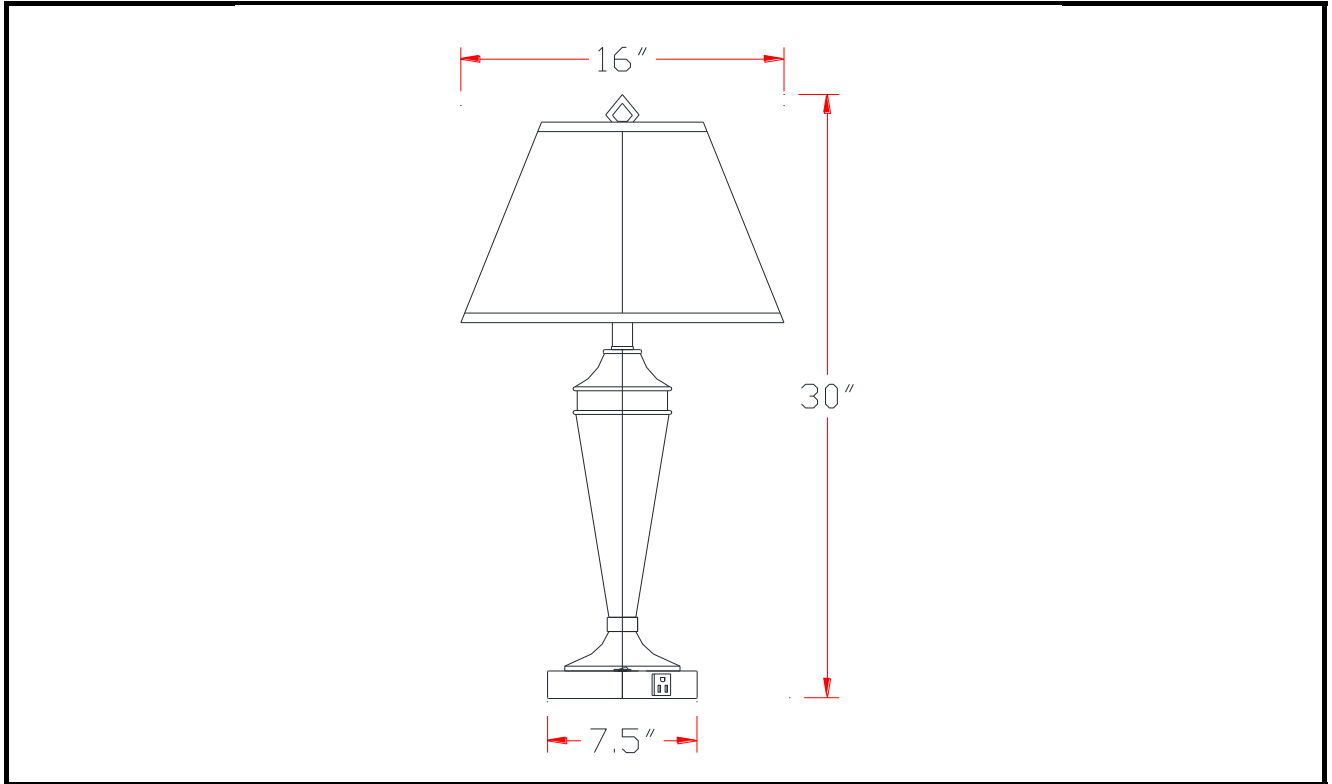
Type: _____

Project: _____

Catalog No.: _____

Lamp/Wattage: _____

Drawing:



- Model No:** LA-694TB-1R
- Description:** 100W Metal/resin night stand lamp with Rocker base switch
- Material:** METAL+POLY+FABRIC
- Finish :** Chrome/Dark Wood
- Height:** 30"
- Base Width:** D 7-1/2"
- Harp Size:** 8 1/2"
- Wattage :** 100W
- Socket :** Medium Base (E26)
- Switch:** Rocker base switch
- Bulb:** Incandescent, CFL
- Power Outlet:** 1
- Ethernet Jack:** None
- Cord:** SVT 18#
- Cord Length:** 6'
- Cord Color:** Black
- Shade No:** SH-7210-1
- Material:** Fabric
- Shade size:** (6"+8")X (12"+16")X 10"

Certificate :

