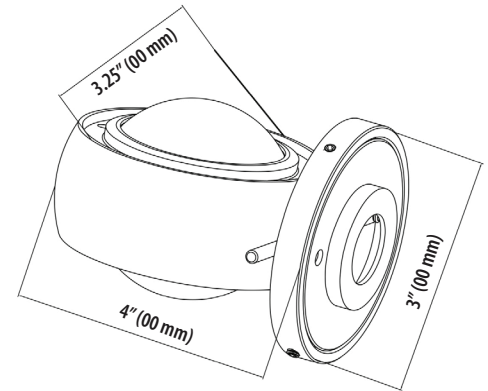
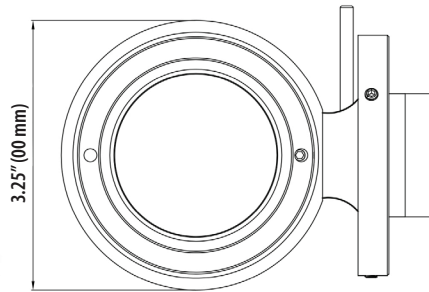


ORBIT SERIES

VMWA004201A008CH

VONN

PROJECT:	TYPE:	CATALOG #:	DATE:
----------	-------	------------	-------



NOMINAL STANDARD SPECIFICATIONS

SKU:	VMWA004201A008CH
FINISH:	CHROME
LUMEN OUTPUT:	383.98
INPUT VOLTAGE:	120 V
COLOR TEMPERATURE:	3000K
CRI: 90	90
DIMMING:	ELV
POSITIONING:	ADJUSTABLE 350° LEFT - RIGHT.
BEAM ANGLE:	85°
WATTAGE:	8 W
CUT OUT:	1.5" Dia.
ENVIRONMENT:	DAMP / IP44
MOUNTING:	SURFACE

FEATURES

- LED Adjustable wall + ceiling downlight, ORBIT Series
- Aluminum body structure available in 2 finishes Chrome and Antique Brass
- Integrated AC LED fixture, surface mounted
- IC Rated
- Light direction up and down
- OVERALL DIMENSIONS: 3.25"W x 4"D x 3"H
- BACKPLATE DIMENSIONS: 3" Diameter x 0.5"H
- LIGHT HEAD DIMENSIONS: 3.25" Diameter x 2.5"H
- ETL, cETL, Title 20 Compliant, Title 24 Compliant, Prop 65 Compliant, Energy Star Compliant
- 3 Year Limited Warranty

THE MEASUREMENTS ARE ROUNDED TO THE NEAREST 1/4"

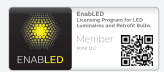
SAMPLE ORDERING SKU

1	2	3	4	5	6
VMWA004201A	08	BL	30K	B85	
1 - SKU	2 - WATTAGE	3 - FINISH	4 - COLOR TEMP.	5 - BEAM ANGLE	6 - OTHER OPTIONS
VMWA004201A	08 - 8 W	CH - Chrome AB - Antique Brass*	27K - 2700* 30K - 3000 35K - 3500* 40K - 4000*	B85 - 85°	EMD - EMERGENCY DRIVER EMC - EMERGENCY CIRCUIT

NOTES

RELATED PRODUCTS AVAILABLE:

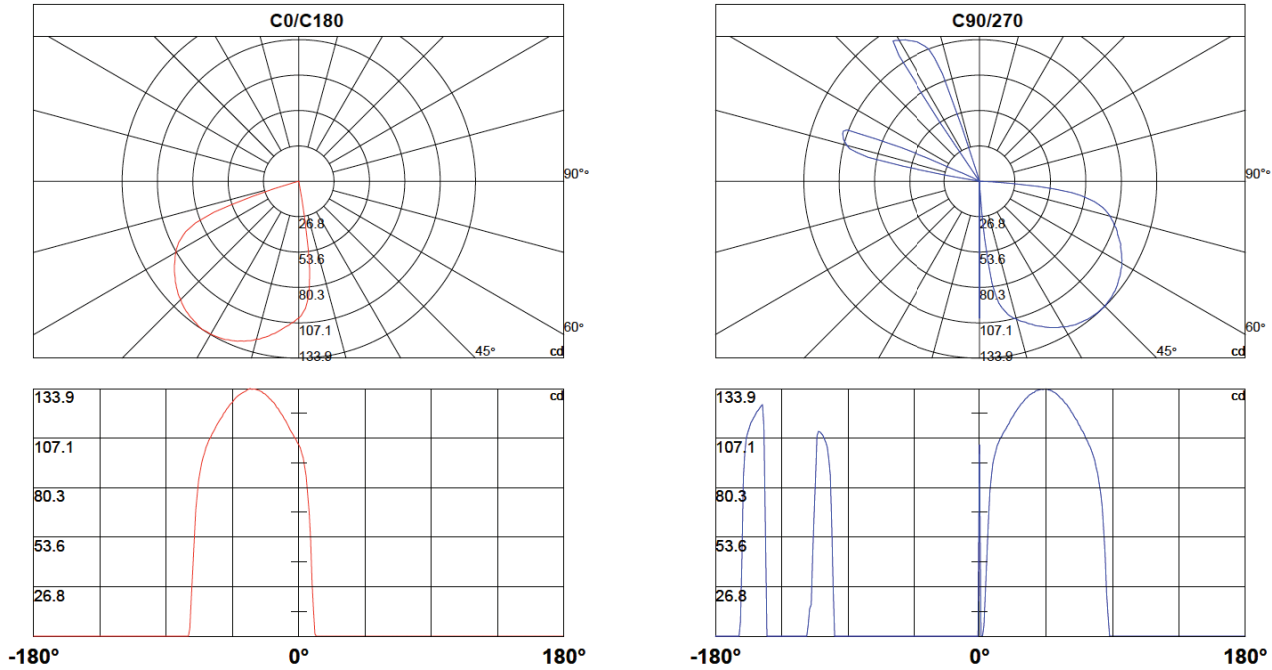
- VMWA004201A008AB
- VMCL004701A008CH
- VMCL004701A008AB
- VMDL000701A020WH



PROJECT: _____ TYPE: _____ CATALOG #: _____ DATE: _____

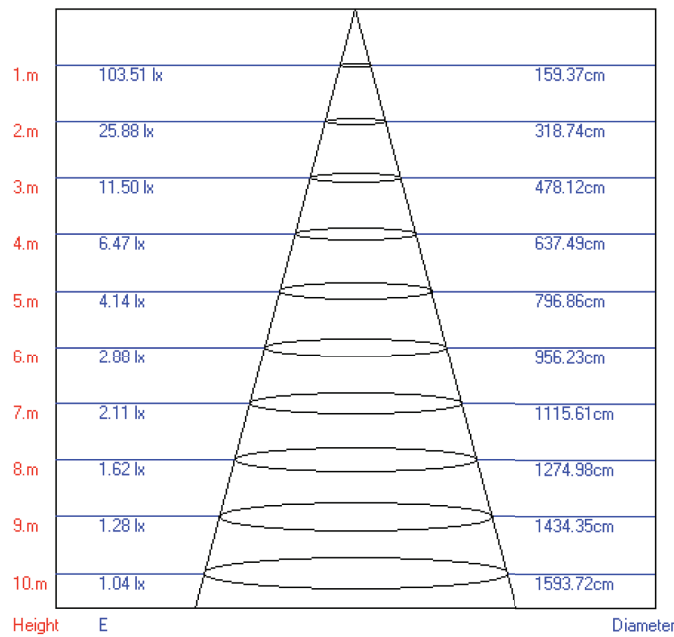
PHOTOMETRICS

30K - 3000 - STANDARD



BEAM ANGLE

30K - 3000 - STANDARD



Beam Angle: 77.10°