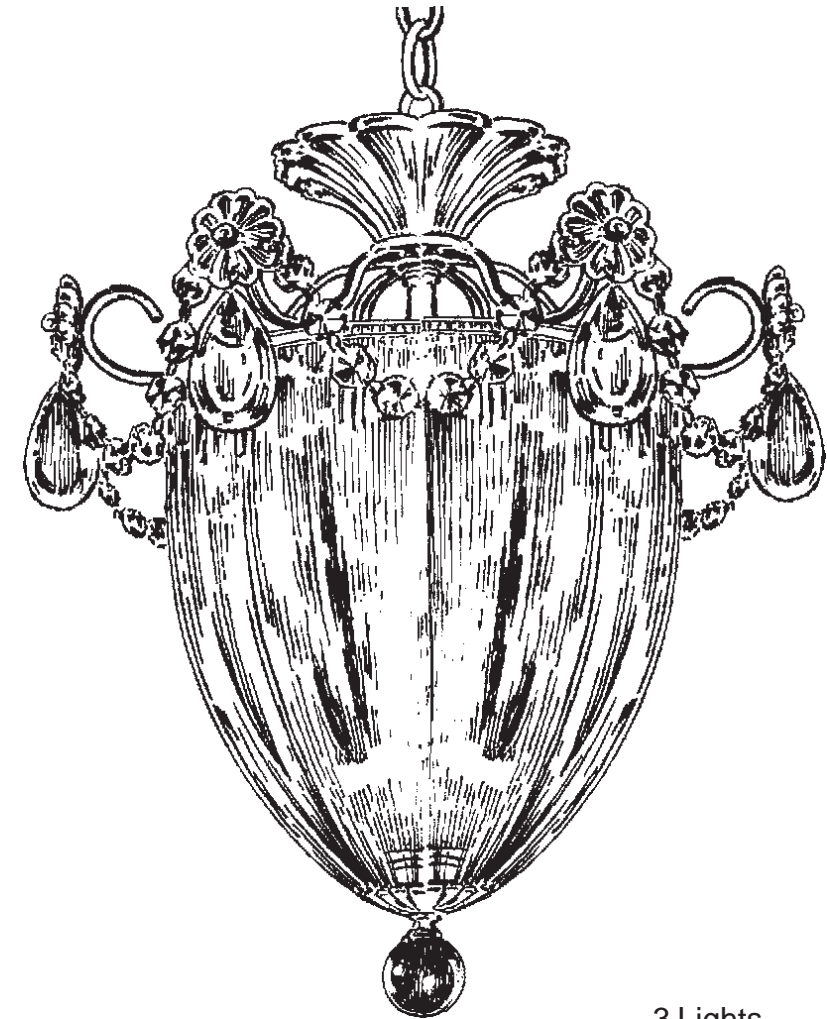




**SCHONBEK®**

**BAGATELLE 1243- \_\_\_\_\_**



**T**HIS DESIGN IS THE PROPRIETARY TRADE DRESS/TRADemark OF SWAROVSKI LIGHTING, LTD.

3 Lights  
Diameter: 10-1/2"  
Body Length: 12-1/2"  
Hanging Weight: 8 lbs.

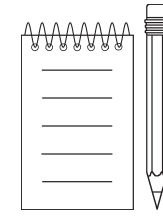
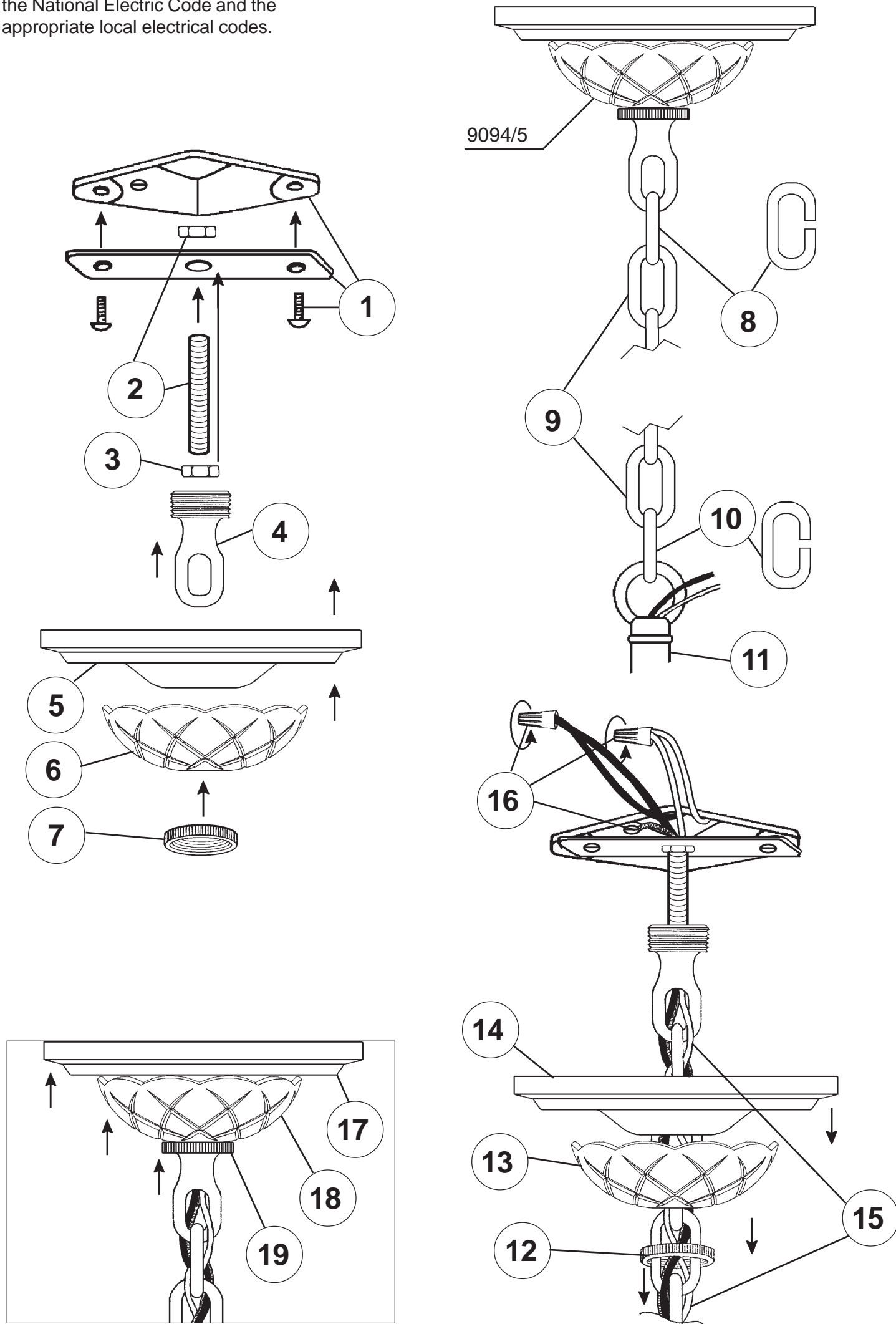


**SCHONBEK®**

MAX 60 W		110-120 V						

SCHONBEK® is a member of the Swarovski group.

All electrical components must be installed by a licensed electrician in accordance with the National Electric Code and the appropriate local electrical codes.



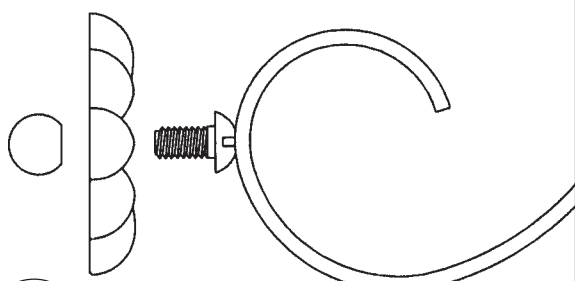




**20**

You will need 3 - B10  
25 Watts Recommended  
60 Watts Max

**Install bulbs and be sure  
to test fixture BEFORE  
trimming.**



**21**

Slide rosettes with flat side  
facing towards you onto the  
screws and secure with balls  
provided.

