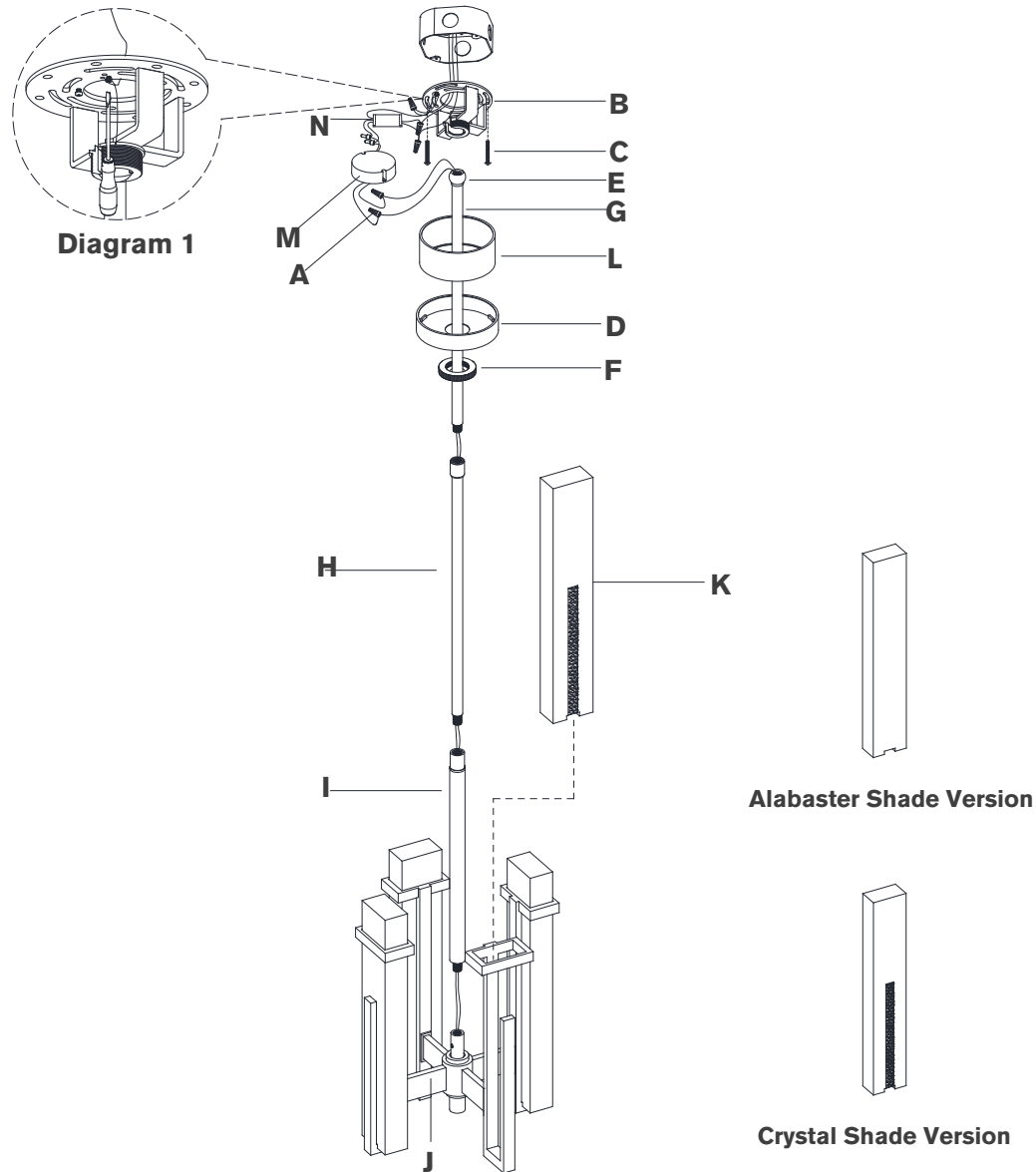


ASSEMBLY INSTRUCTIONS

Option 1: Canopy Mounted Driver



Malik Small Chandelier

Item # S5910

NOTICE:

This light fixture should be installed in accordance with all applicable, local installation codes, and by a person familiar with the construction and operation of it, as well as the hazards involved. Inspect item and contents carefully. If any damage or defect is found, do not install. Retain all packaging material until installation is complete and approved.

TOOLS REQUIRED (NOT INCLUDED):

Phillips Screwdriver

Slotted Screwdriver

Wire Cutters

Wire Strippers

1. Carefully remove all parts from the box. Place on a clean, soft surface.
2. Remove mounting plate **(B)** from driver housing **(L)** and canopy **(D)** by removing collar ring **(F)**.
3. Install mounting plate **(B)** to junction box and secure with mounting screws **(C)**.
4. Feed fixture wire and ground wire through stem **(I)** and connect to fixture body **(J)**.
5. Feed fixture wire and ground wire through bottom rod **(H)** and connect to stem **(I)**.
6. Continue feeding wires through collar ring **(F)**, canopy **(D)**, driver housing **(L)** and top rod **(G)**.
7. Holding fixture upright, slide collar ring **(E)** and canopy **(D)**, and driver housing **(L)** down stem **(I)** and rest on fixture body **(J)**. Then connect top rod **(G)** to bottom rod **(H)**.

NOTE: Slide components down slowly to avoid damages.

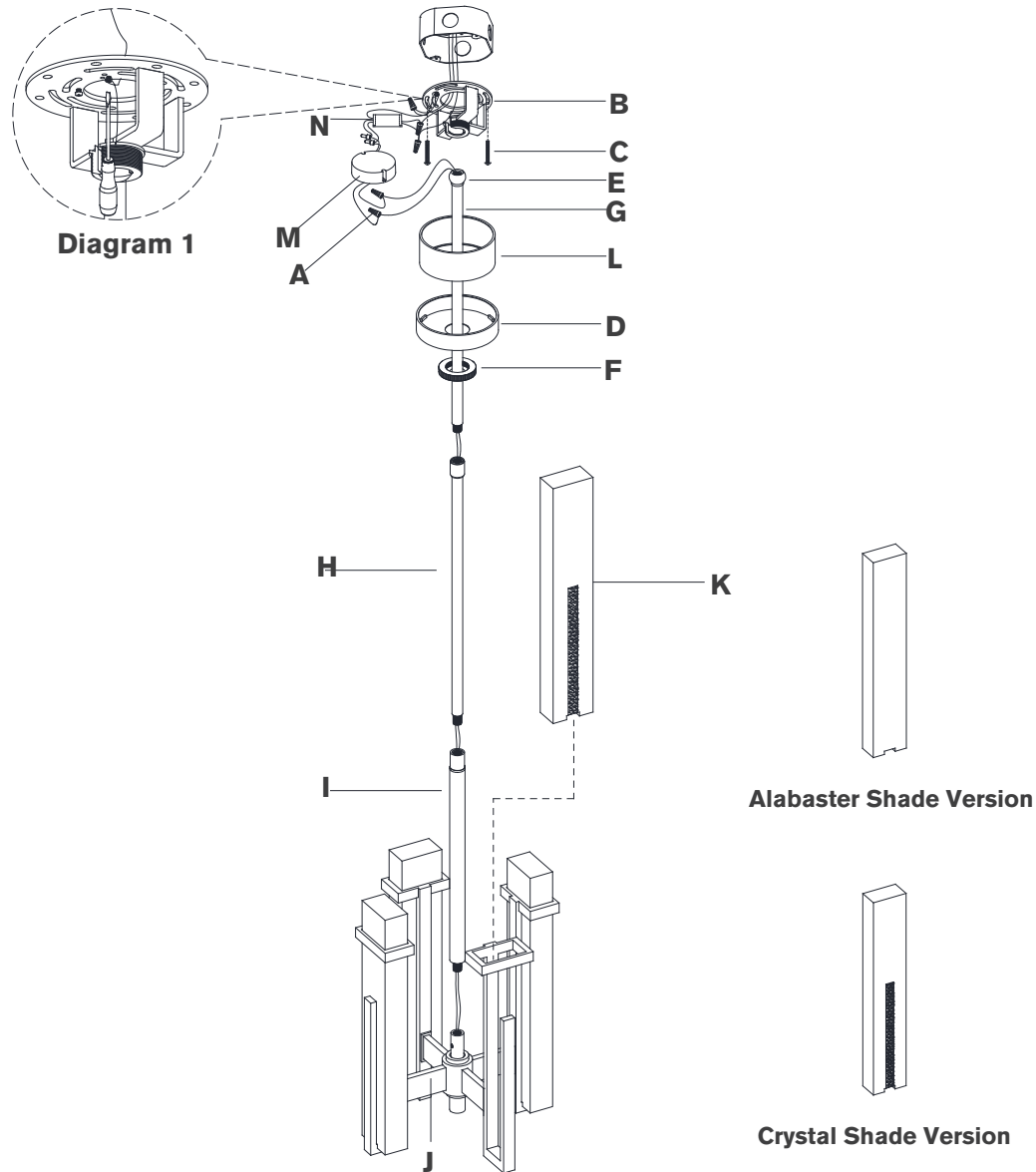
8. Hang fixture swivel ball **(E)** to the center of mounting plate **(B)**.
9. Cut excess wires, being sure to leave enough length to reach the junction box.

NOTE: : Separate black and red wires, and strip insulation on each 5/8".

10. Connect fixture neutral wire (black) to the driver output neutral wire (black) using wire nut **(A)**.

ASSEMBLY INSTRUCTIONS

Option 1: Canopy Mounted Driver



Malik Small Chandelier

Item # S5910

NOTICE:

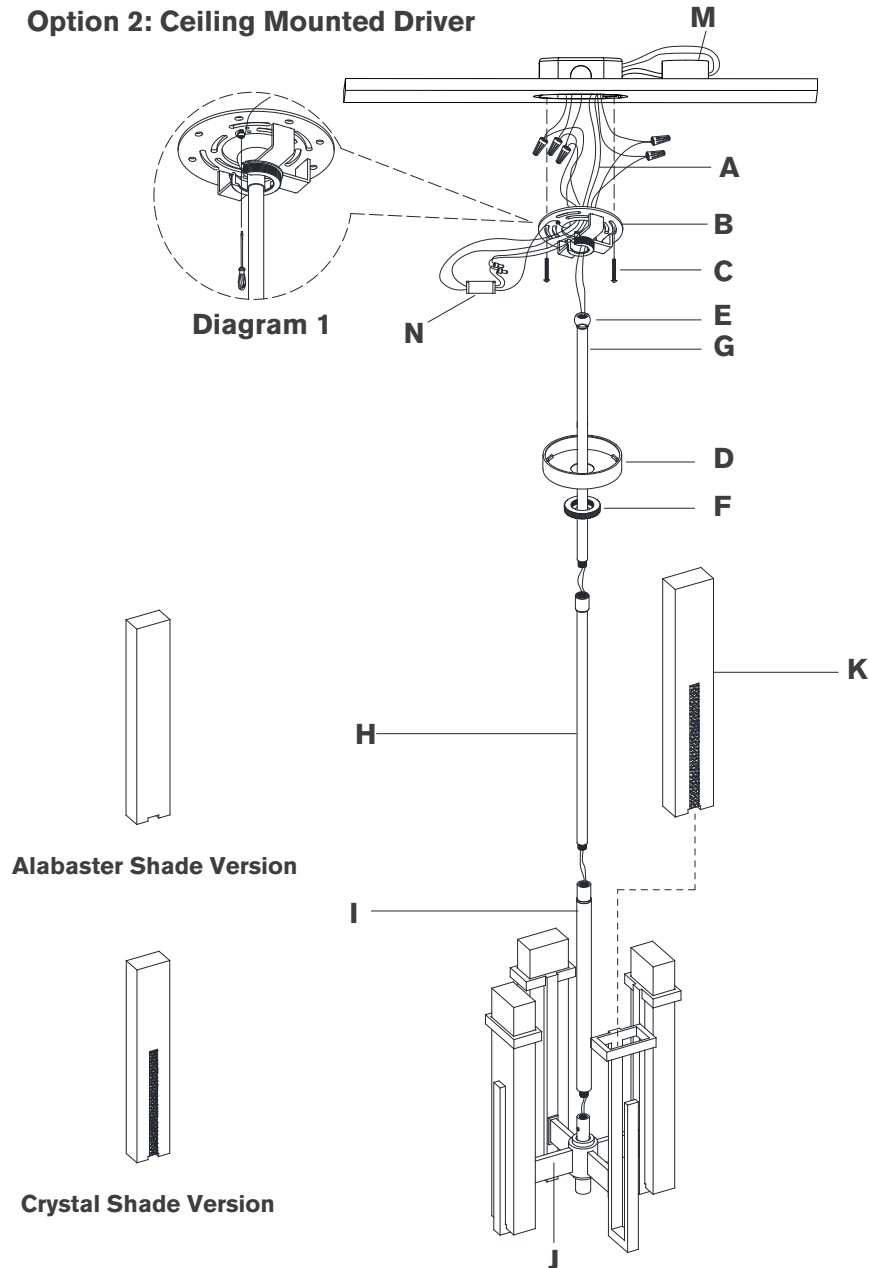
This light fixture should be installed in accordance with all applicable, local installation codes, and by a person familiar with the construction and operation of it, as well as the hazards involved. Inspect item and contents carefully. If any damage or defect is found, do not install. Retain all packaging material until installation is complete and approved.

11. Connect fixture hot wire (red) to the driver output hot wire (red) using wire nut **(A)**.
12. Wrap filter **(N)** ground wire (green) around the green grounding screw (see diagram 1). Tighten. Continue filter ground wire and connect to supply ground wire (usually green or bare copper) using wire nut **(A)**.
NOTE: It is imperative that the fixture is grounded.
13. Connect filter **(N)** neutral wire (white) to the supply neutral wire (usually white) using wire nut **(A)**.
14. Connect filter **(N)** hot wire (black) to the supply hot wire (usually black) using wire nut **(A)**.
CAUTION: Do not reverse the hot and neutral connections.
15. Make sure all wire connections are tight, then carefully tuck into the junction box.
16. Insert driver **(M)** and filter **(N)** into mounting plate bracket.
17. Install driver housing **(L)**, canopy **(D)** to mounting plate **(B)** by securing with collar ring **(F)**.
18. Insert shades **(K)** into fixture body.

Care Instructions: Clean only with a soft dry cloth or feather duster. Do not use abrasive or chemical agents.

ASSEMBLY INSTRUCTIONS

Option 2: Ceiling Mounted Driver



Malik Small Chandelier

Item # S5910

NOTICE:

This light fixture should be installed in accordance with all applicable, local installation codes, and by a person familiar with the construction and operation of it, as well as the hazards involved. Inspect item and contents carefully. If any damage or defect is found, do not install. Retain all packaging material until installation is complete and approved.

TOOLS REQUIRED (NOT INCLUDED):

Phillips Screwdriver

Slotted Screwdriver

Wire Cutters

Wire Strippers

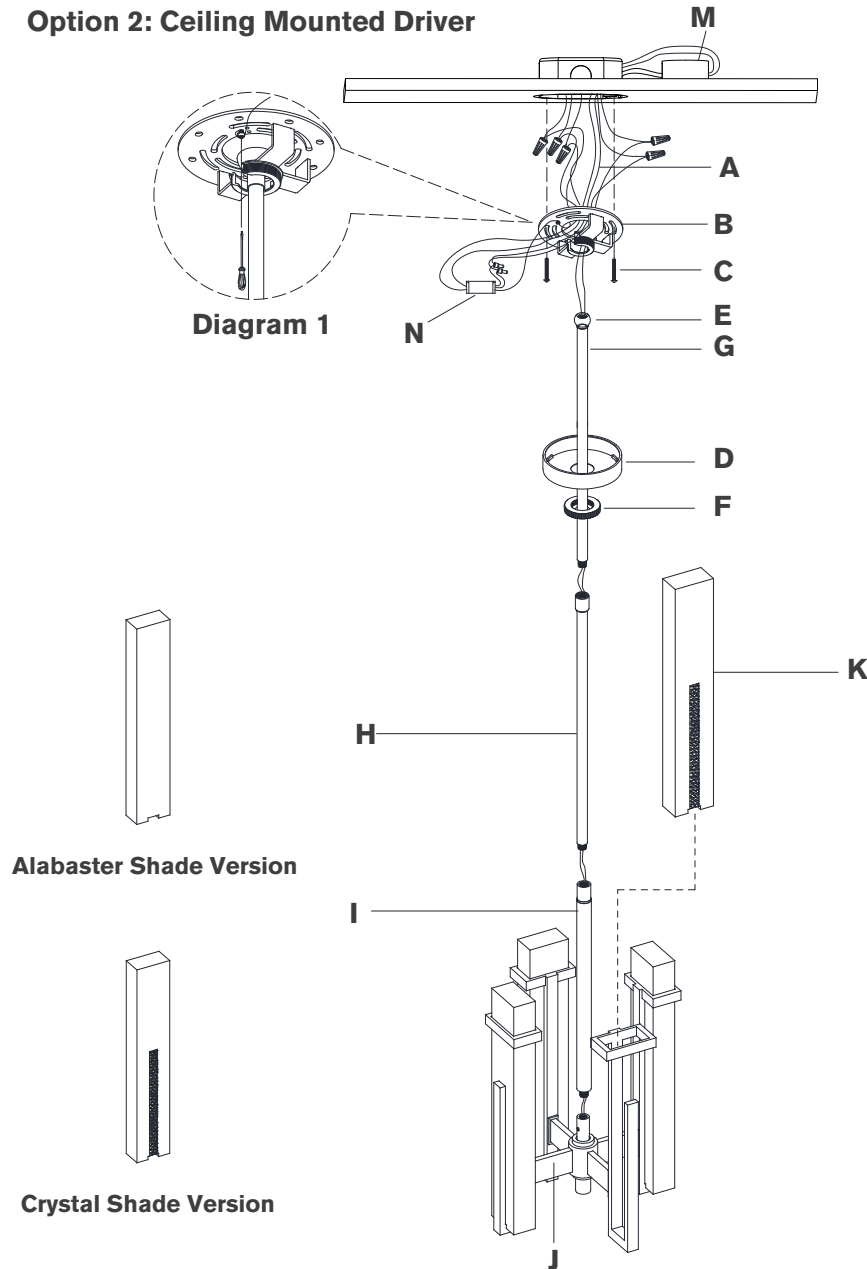
1. Carefully remove all parts from the box. Place on a clean, soft surface.
 2. Place driver (**M**) into ceiling and route all wires through one of the knockouts in the junction box.
 3. Remove mounting plate (**B**) from canopy (**D**) by removing collar ring (**F**).
 4. Install mounting plate (**B**) to junction box and secure with mounting screws (**C**).
 5. Feed fixture wire and ground wire through stem (**I**) and connect to fixture body (**J**).
 6. Feed fixture wire and ground wire through bottom rod (**H**) and connect to stem (**I**).
 7. Continue feeding wires through collar ring (**F**), canopy (**D**) and top rod (**G**).
 8. Holding fixture upright, slide collar ring (**E**) and canopy (**D**) down stem (**I**) and rest on fixture body (**J**). Then connect top rod (**G**) to bottom rod (**H**).
- NOTE:** Slide components down slowly to avoid damages.
9. Hang fixture swivel ball (**E**) to the center of mounting plate (**B**).
 10. Cut excess wires, being sure to leave enough length to reach the junction box.
- NOTE:** : Separate black and red wires, and strip insulation on each 5/8".

VISUAL COMFORT



ASSEMBLY INSTRUCTIONS

Option 2: Ceiling Mounted Driver



Malik Small Chandelier

Item # S5910

NOTICE:

This light fixture should be installed in accordance with all applicable, local installation codes, and by a person familiar with the construction and operation of it, as well as the hazards involved. Inspect item and contents carefully. If any damage or defect is found, do not install. Retain all packaging material until installation is complete and approved.

11. Connect fixture neutral wire (black) to the driver output neutral wire (black) using wire nut **(A)**.
12. Connect fixture hot wire (red) to the driver output hot wire (red) using wire nut **(A)**.
13. Wrap filter **(N)** ground wire (green) around the green grounding screw (see diagram 1). Tighten. Continue filter ground wire and connect to supply ground wire (usually green or bare copper) using wire nut **(A)**.
NOTE: It is imperative that the fixture is grounded.
14. Connect filter **(N)** neutral wire (white) to the supply neutral wire (usually white) using wire nut **(A)**.
15. Connect filter **(N)** hot wire (black) to the supply hot wire (usually black) using wire nut **(A)**.
CAUTION: Do not reverse the hot and neutral connections.
16. Make sure all wire connections are tight, then carefully tuck into the junction box.
17. Insert filter **(N)** into mounting plate bracket.
18. Install canopy **(D)** to mounting plate **(B)** and secure with collar ring **(F)**.
19. Insert shades **(K)** into fixture body.

Care Instructions: Clean only with a soft dry cloth or feather duster. Do not use abrasive or chemical agents.

VISUAL COMFORT

