

ASSEMBLY INSTRUCTIONS

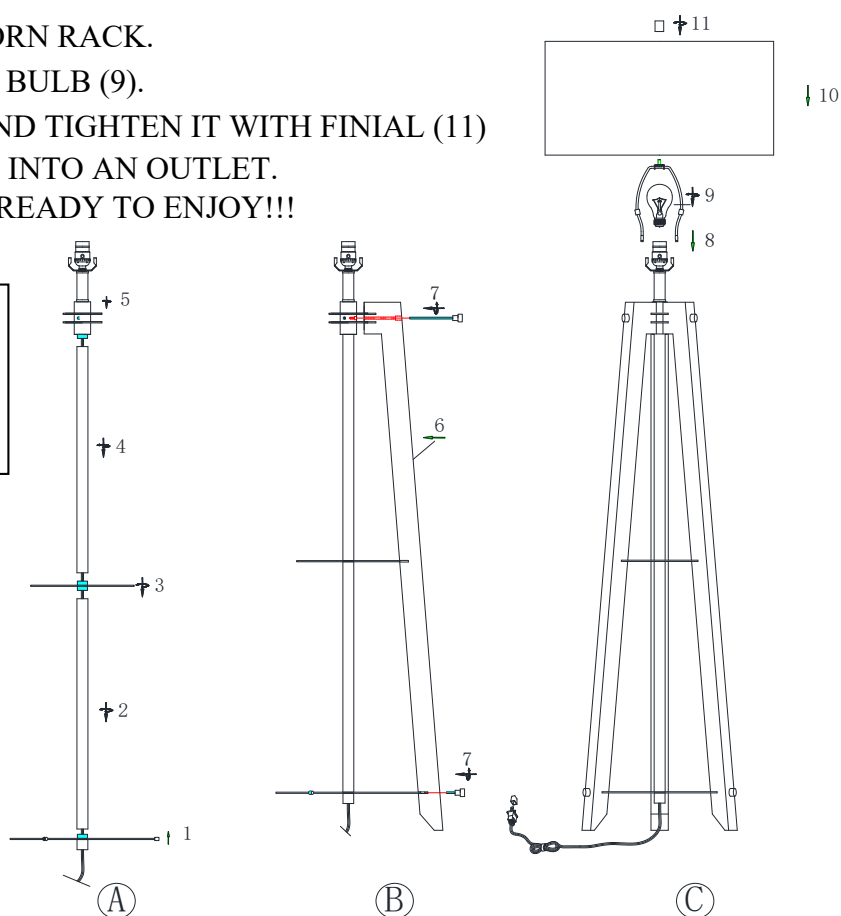
ITEM NO: BO-2833FL

CAREFULLY UNPACK AND PLACE ALL PARTS ON A SMOOTH SURFACE.

1. SCREW POLE (2) TO LOWER FRAME (1) CLOCKWISE TO TIGHTEN.
2. SCREW POLE (2) TO UPPER FRAME (3) CLOCKWISE TO TIGHTEN.
3. SCREW POLE (4) TO UPPER FRAME (3) CLOCKWISE TO TIGHTEN.
4. SCREW SOCKET PARTS (5) TO POLE (4) CLOCKWISE TO TIGHTEN.
5. ATTACH THE WOOD FOOT (6) TO THE FRAME AND SOCKET PART AND TIGHTEN WITH SCREWS (7).
6. PLACE HARP (8) ONTO HORN RACK.
7. INSTALL RECOMMENDED BULB (9).
8. PUT ON THE SHADE (10) AND TIGHTEN IT WITH FINIAL (11)
9. INSERT THE POWER PLUG INTO AN OUTLET.

YOUR LAMP IS NOW READY TO ENJOY!!!

**Use 3-WAY 150W Max
type A bulb
(bulb not included)**



IMPORTANT SAFETY INSTRUCTIONS:

THIS PORTABLE LAMP HAS A POLARIZED PLUG (ONE BLADE IS WIDER THAN THE OTHER) AS A SAFETY FEATURE TO REDUCE THE RISK OF ELECTRIC SHOCK. THIS PLUG WILL FIT IN A POLARIZED OUTLET ONLY ONE WAY. IF IT DOES NOT FIT FULLY IN THE OUTLET, REVERSE THE PLUG. IF IT STILL DOES NOT FIT, CONTACT A QUALIFIED ELECTRICIAN. NEVER USE WITH AN EXTENSION CORD UNLESS THE PLUG CAN BE FULLY AND EASILY INSERTED. DO NOT ATTEMPT TO ALTER THE PLUG.

SAVE THESE INSTRUCTIONS FOR FUTURE REFERENCE.