

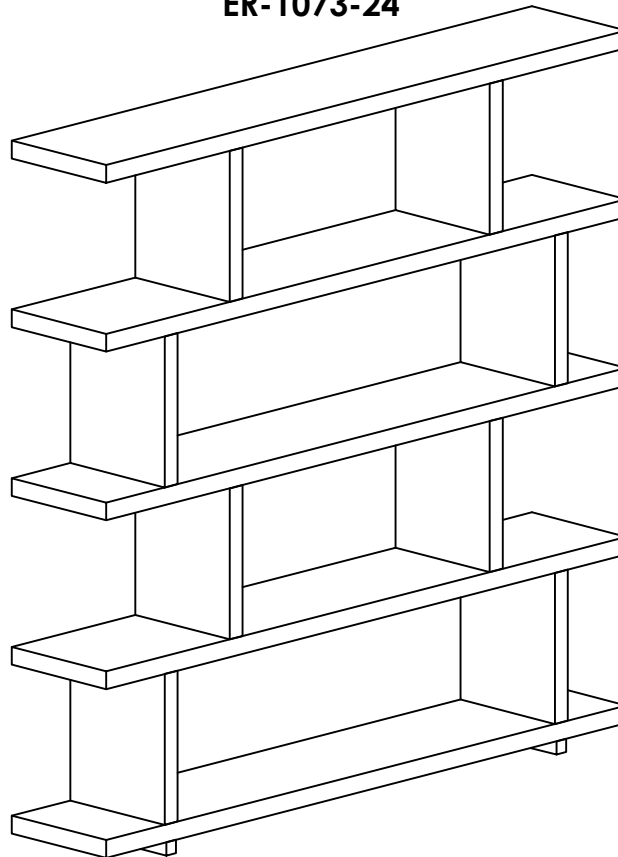
# MOE'S

home collection

## ASSEMBLY INSTRUCTIONS.

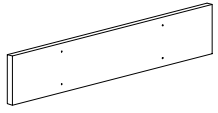
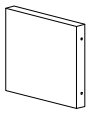
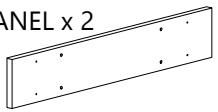
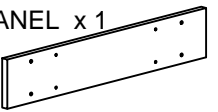
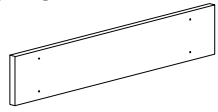
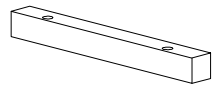



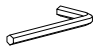






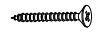

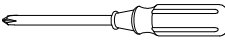
MIRI SHELF LARGE OAK

ER-1073-24



THANK YOU FOR YOUR PURCHASE!

# PARTS AND HARDWARE.

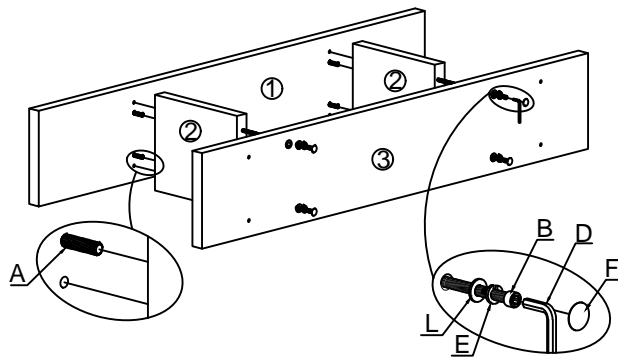
1. TABLE TOP x 1 	2. MIDDLE SIDE PANEL x 8 		
3. MIDDLE SHELF PANEL x 2 	4. MIDDLE SHELF PANEL x 1 		
5. BOTTOM PANEL x 1 	6. LEG x 2 		
A. WOOD PLUG x 32PCS 	B. BOLT M8*390MM x 12PCS 	C. BOLT M8*420MM x 4PCS 	D. ALLEN KEY M6 x 1PC 
E. SPRING WASHER x 16PCS 	F. STICKER x 12PCS 	G. SCREW M4*16MM x 1PC 	H. FLAT WASHER DIA12MM x 2PCS 
I. ANTI PRERVENTION DEVICE x 1PC 	J. WALL FIXING DEVICE x 1PC 	K. SCREW M4*25MM x 1PC 	L. FLAT WASHER DIA17MM x 16PCS 
SCREW DRIVER (NOT INCLUDED) 			

## NOTES.

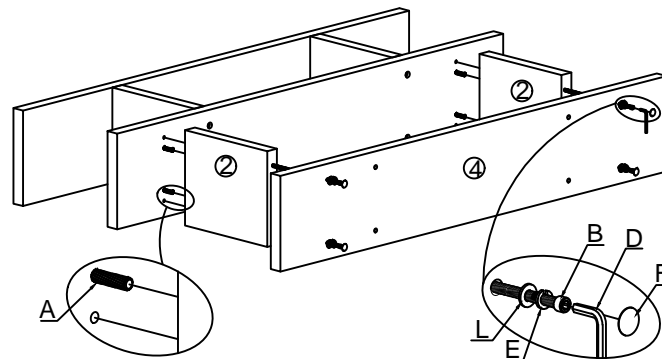
Thank you for purchasing this quality product! Be sure to check all packing material carefully for small part that may have come loose inside the carton during shipping.

**CAUTION:** The item is heavy, assembly should be performed by two people.

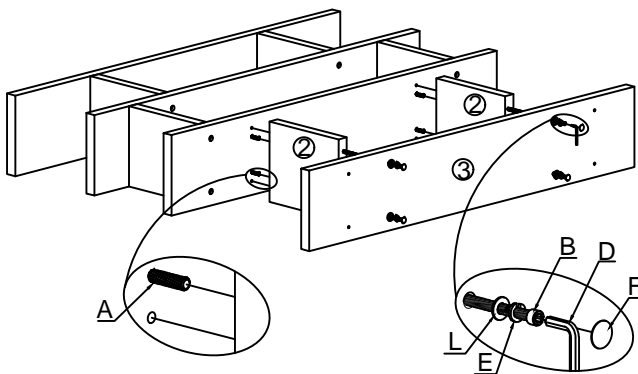
## STEP 1.



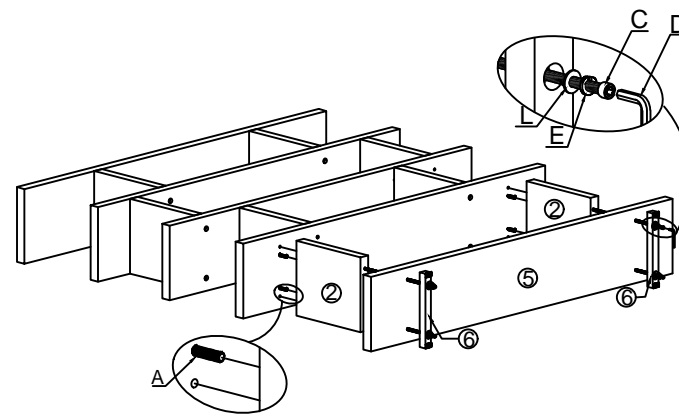
## STEP 2.



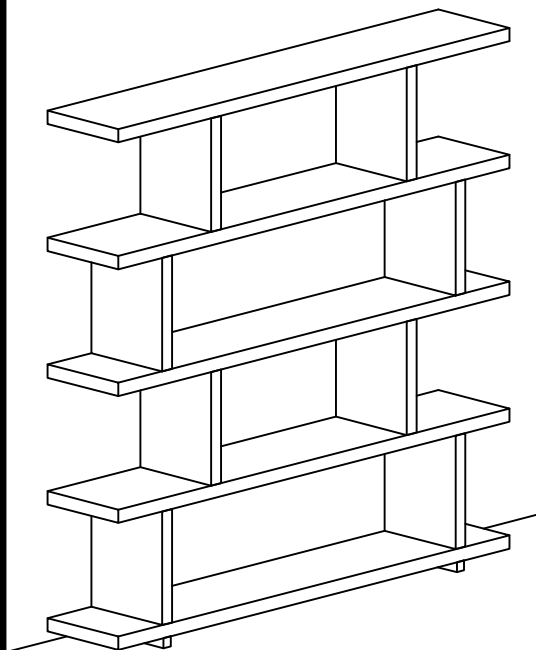
## STEP 3.



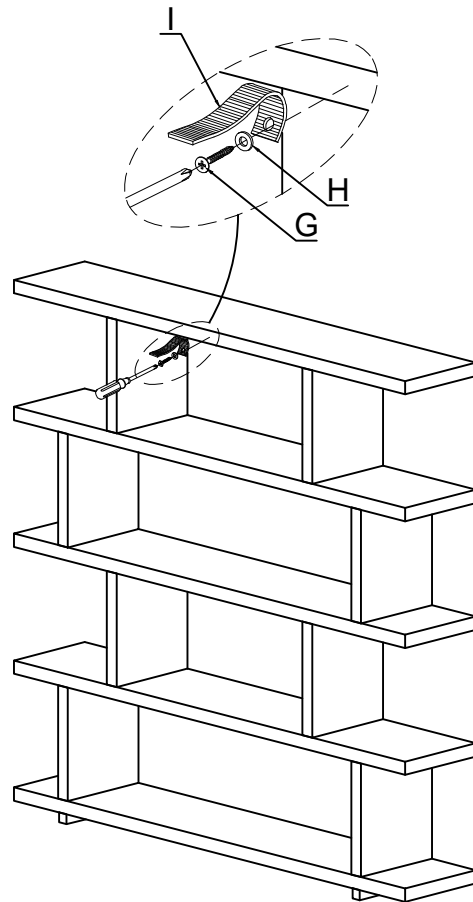
## STEP 4.



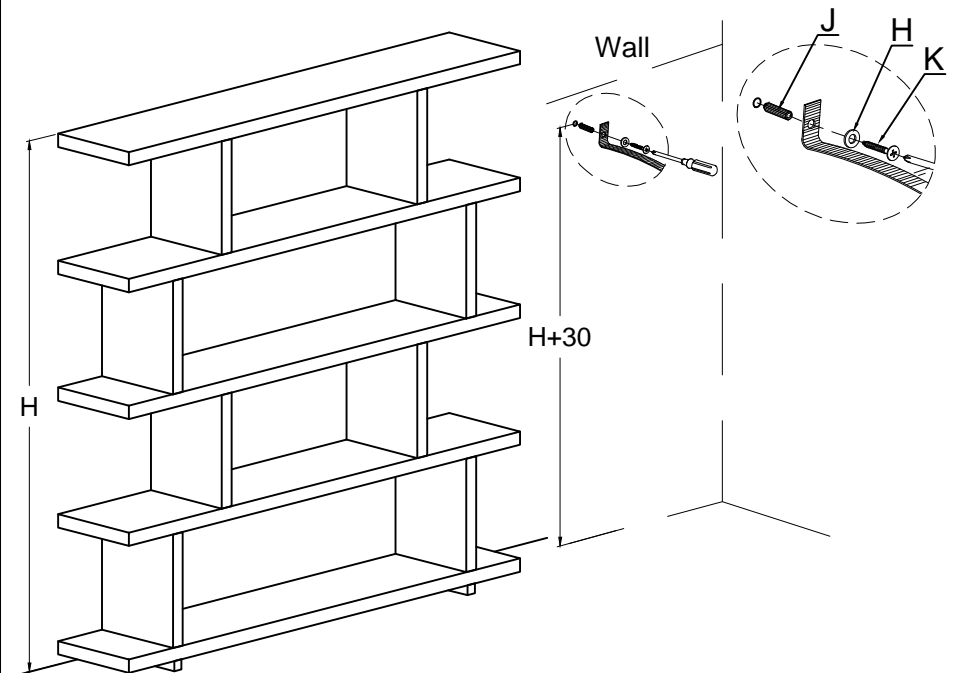
### STEP 5.



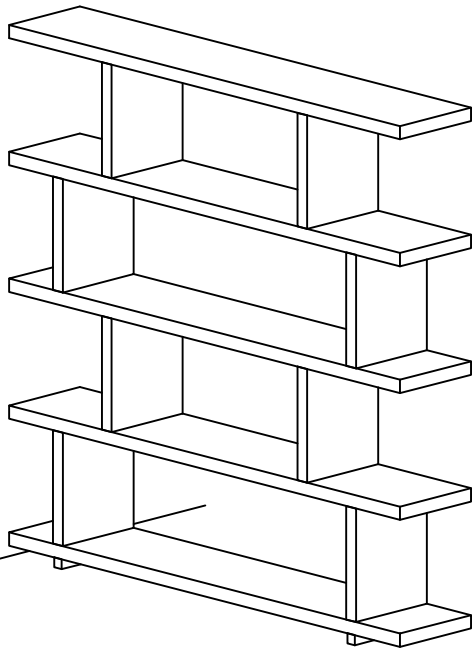
### STEP 6.



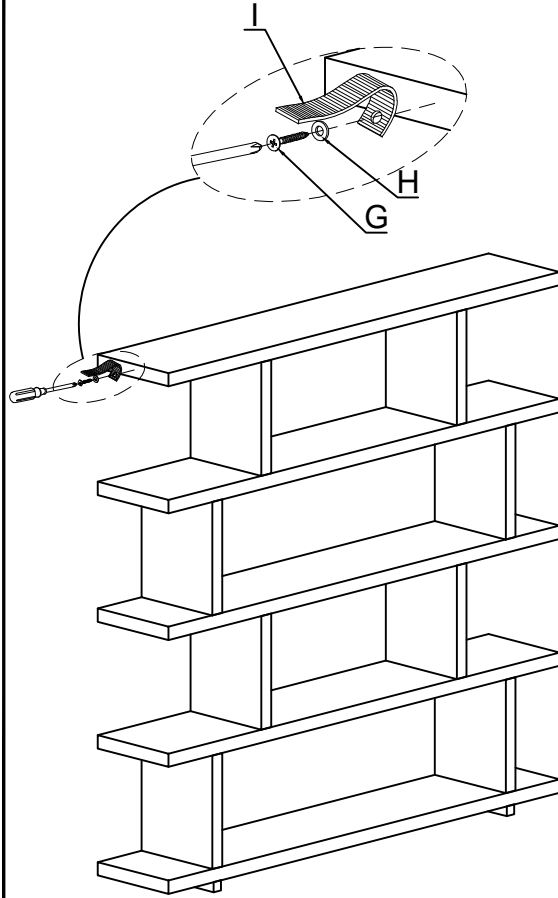
### STEP 7.



### STEP 8.



### STEP 9.



### STEP 10.

