



# CAL LIGHTING

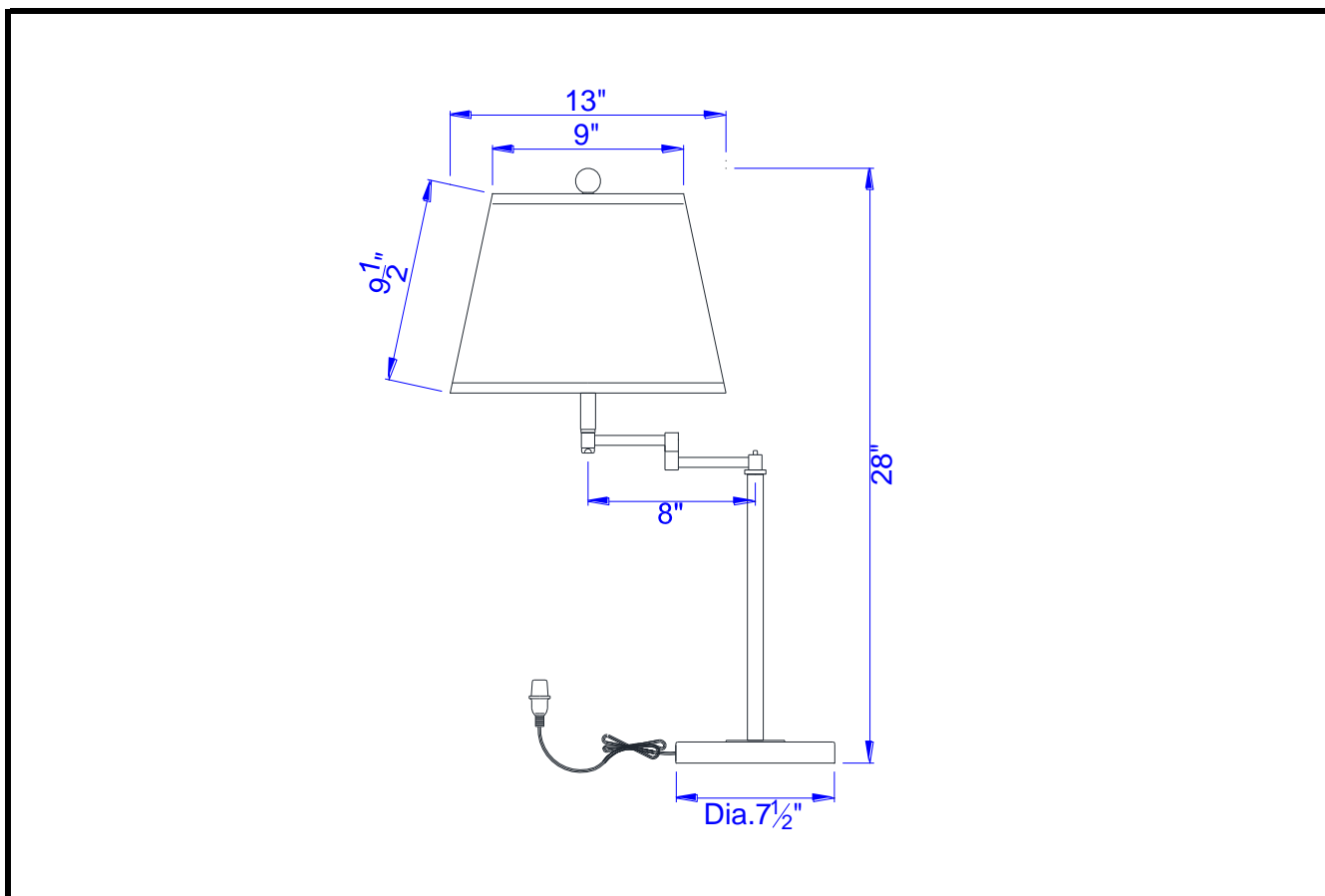
3625 E. Philadelphia St. Ontario CA. 91761 • Tel: 909.947.5200 • Fax:  
909.947.5673 • www.calighting.com • service@calighting.com •  
Specifications subject to change without notice

Type: \_\_\_\_\_

Project: \_\_\_\_\_

Catalog No.: \_\_\_\_\_

Lamp/Wattage: \_\_\_\_\_



- Model No:** BO-2077TB  
**Description:** Andos Metal Swing Arm Table Lamp  
**Material:** Metal  
**Finish :** DB (Dark Bronze)  
**Height:** 28"  
**Base Width:** Dia.7 1/2"  
**Wattage :** 150W  
**Socket :** Medium Base (E27)  
**Switch:** 3-way  
**Bulb:** Incandescent, CFL  
**Wire Length:** 6'  
**Wire Color:** Black  
**Shade No:** SH-1367(DB)  
**Material:** Fabric  
**Shade size:** 9"x13"x 9 1/2"

**Certificate :**

