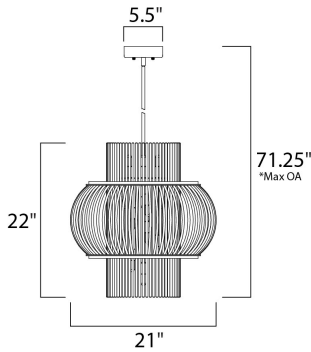




PRODUCT DESCRIPTION

Heavy weight steel cages support a circular band of individual glass rods which run beyond the entire height of the fixtures. A spiraling cluster of G9 LED bulbs refract light in an unusual pattern creating a lighting effect sure to create attention. You can chose between the rounds style in Anthracite and Clear rods or the more transitional faceted shape in Oil Rubbed Bronze with Cognac rods.



*max overall height

MEASUREMENTS

- DIMENSION : 21" L x 21" W x 22" H
- MAX OAH : 71.25" OAH
- CANOPY : 5.51" W x 1.38" H x 5.51" L
- HANGING WEIGHT : 29.54 lb

LAMPING

- INPUT VOLTAGE : 120V
- LUMENS : 2,730 Rated
- BULB : 13 x 3W LED G9 , 39W Total
- BULB INCLUDED : (Included)
- DIMMABLE : Triac CL
- CRI : 80+ CRI
- COLOR_TEMP : 3500K

FINISHES OPTION

- Anthracite

GLASS

- Clear CL

MATERIAL

- Steel

RATINGS

- Dry Location



ADDITIONAL

- ADJUSTABLE OPERATING TEMPERATURE: -20°C (-4°F), 40°C (104°F)

Always consult a qualified electrician before installing any lighting product.



WESTERN DISTRIBUTION CENTER (HEADQUARTER)
 253 NORTH VINELAND AVE | CITY OF INDUSTRY, CA 91746
EASTERN DISTRIBUTION CENTER
 4200 SHIRLEY DR. | ATLANTA, GA 30336
 P. 626.956.4200 | F. 626.956.4225 | maximlighting.com