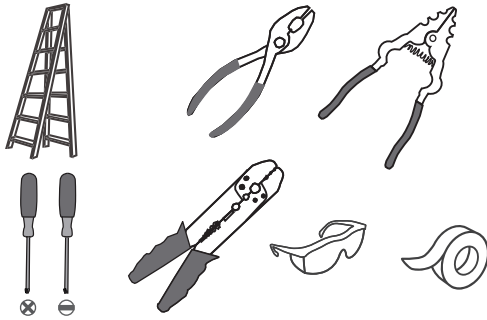
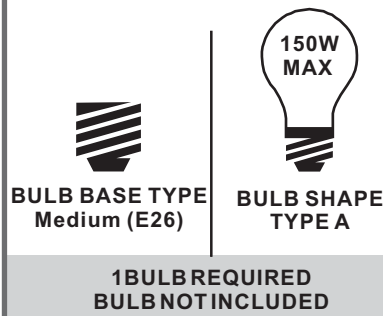


**Tools Required**



**Light Source**



**Fixture Height Adjustable  
23" to 120.5"**

**⚠ Warnings and Cautions**

Turn off the electricity at the circuit breaker before installation. Consult a licensed electrician if in doubt about installation.

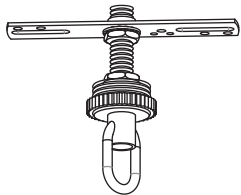
Turn off power to the fixture and allow the bulbs to cool before replacing.

**Package Contents**

**Preparation:** Identify and inspect all parts before beginning the installation.

Missing or damaged parts? Contact your original place of purchase.

**PARTS BAG**



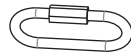
**A** Crossbar Assembly  
x 1



**B** Outlet Box Screw  
x 2



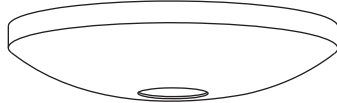
**C** Wire Connector  
x 3



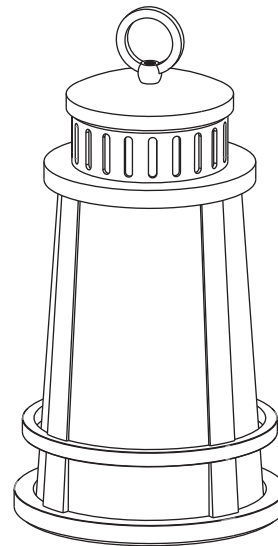
**D** Quick Link  
x 2



**E** Fixture Chain  
x 1



**F** Ceiling Canopy  
x 1

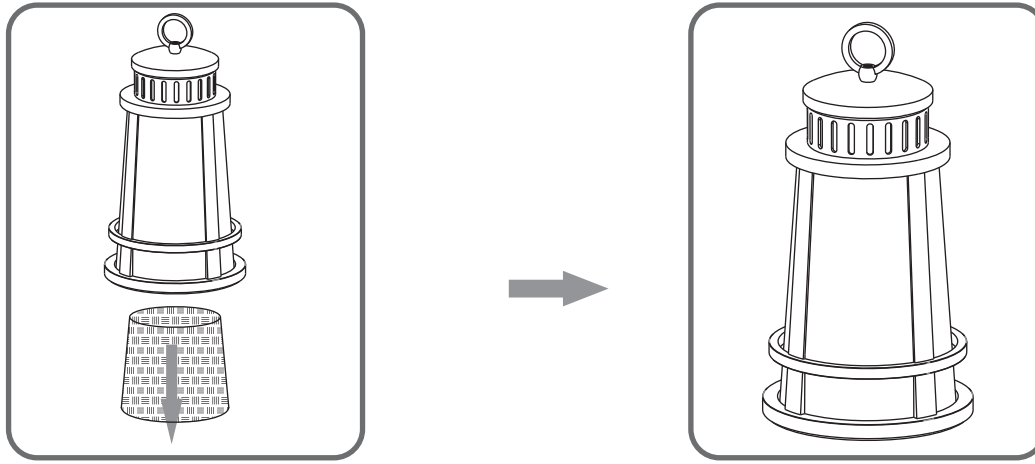


**G** Fixture Body  
x 1

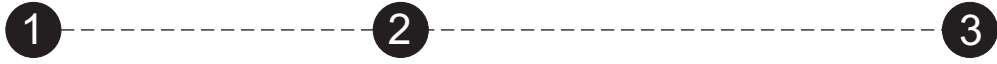
**Table of Contents**

Remove Styrofoam	Crossbar Assembly	Fixture Chain	Wiring	Ceiling Canopy	Bulb	Replace Glass
<b>STEP 1</b>	<b>STEP 2</b>	<b>STEP 3</b>	<b>STEP 4</b>	<b>STEP 5</b>	<b>STEP 6</b>	<b>STEP 7</b>

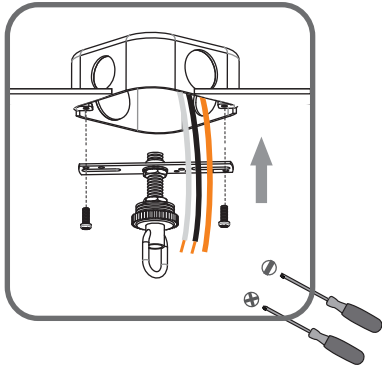
**STEP 1**



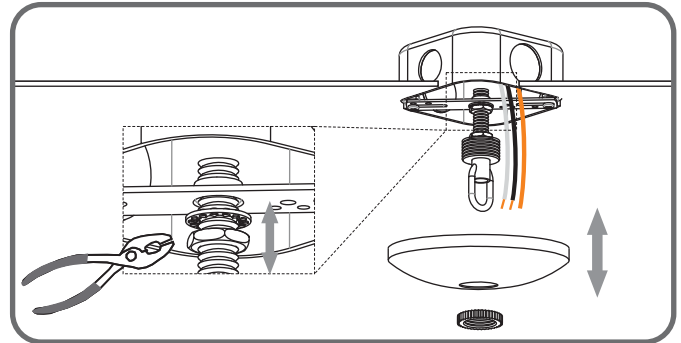
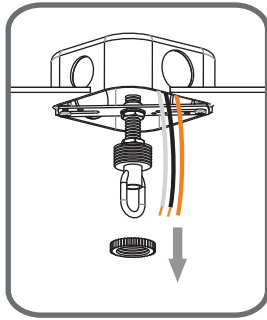
**STEP 2**



**Step 1**  
Install crossbar assembly



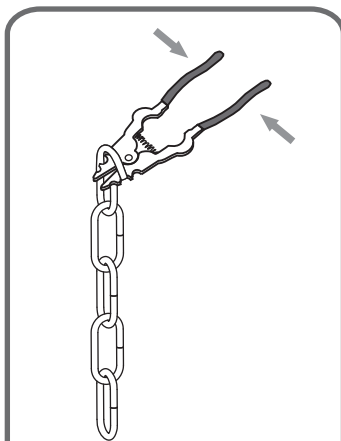
**Step 2 - 3**  
Test fitting ceiling canopy to nipple



**STEP 3**



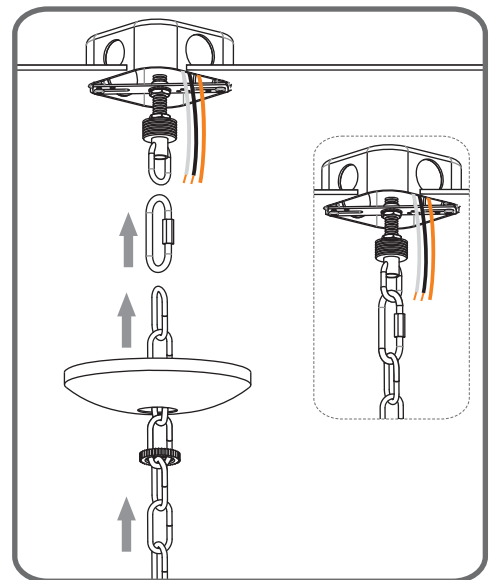
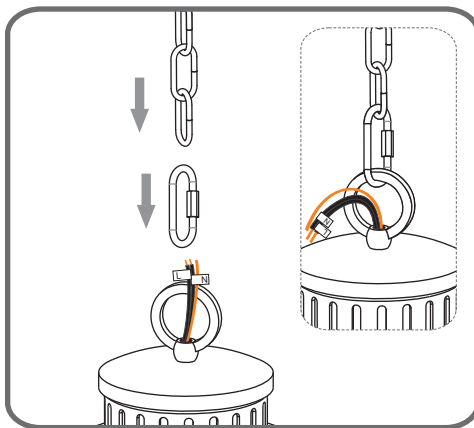
**Step 1**  
Adjust fixture chain length



**Suggested Chain Length:**

- 8' ceiling:** 13" Chain
- 9' ceiling:** 25" Chain
- 10' ceiling:** 37" Chain

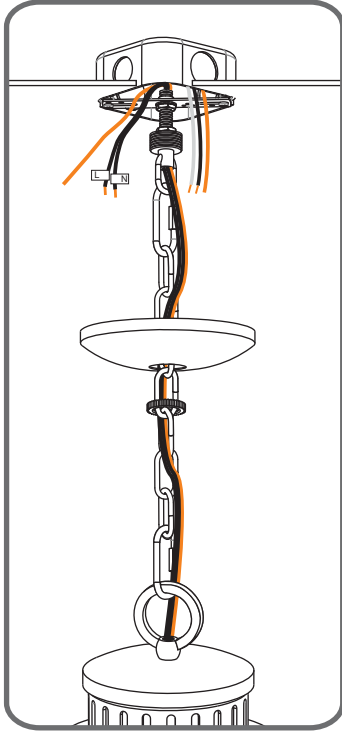
**Step 2 - 3**  
Install Fixture Chain



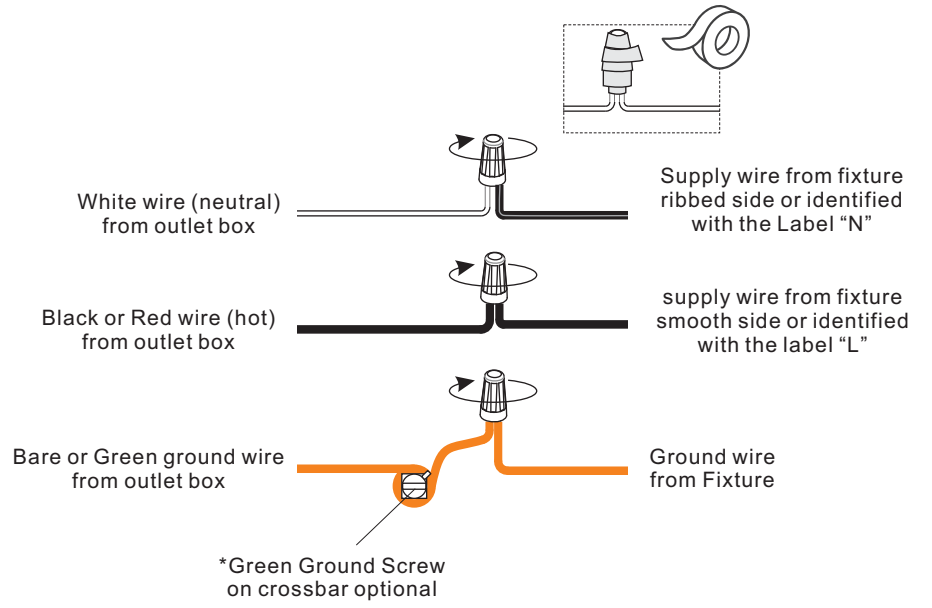
# STEP 4

1

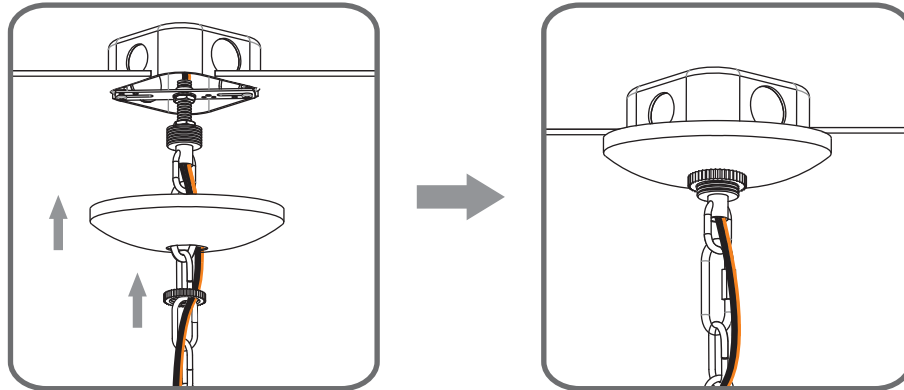
Step 1  
Feed the fixture wires  
through the loop



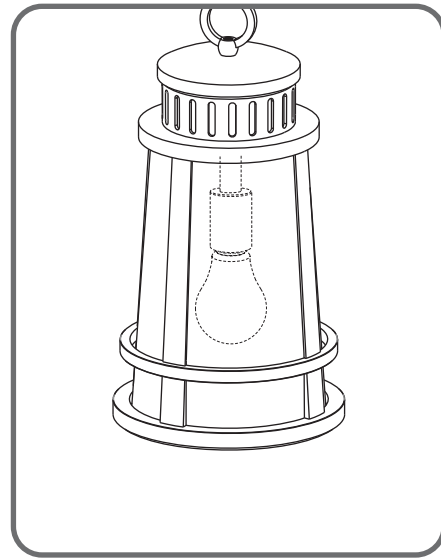
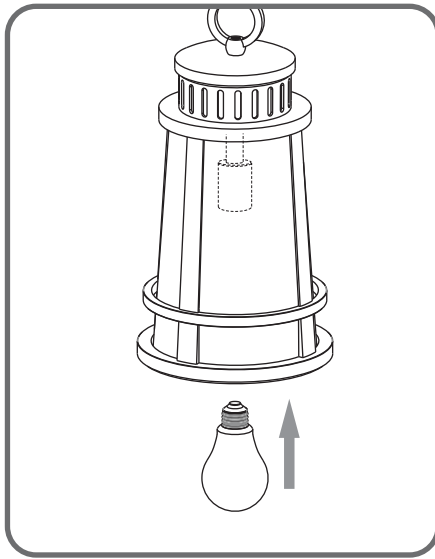
2



# STEP 5



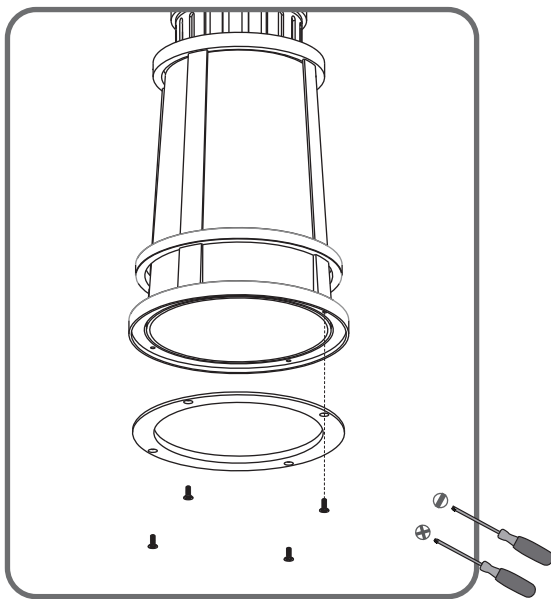
**STEP 6**



**STEP 7 - How to Replace Glass**

**1**

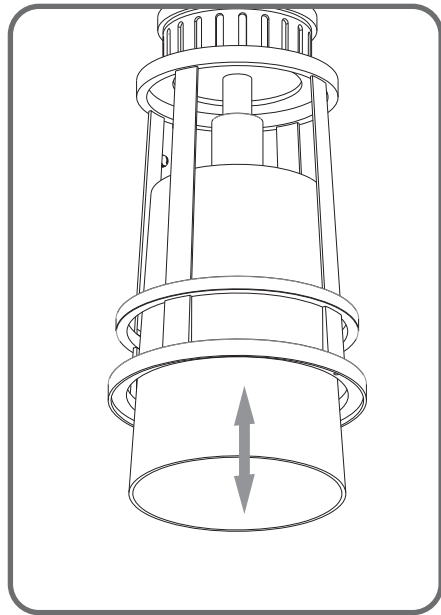
Remove glass holder



Reinstall glass holder

**2**

Replace glass



**3**