



CAL LIGHTING

3625 E. Philadelphia St. Ontario CA. 91761 • Tel: 909.947.5200 • Fax:
909.947.5673 • www.calighting.com • service@calighting.com • Specifications
subject to change without notice

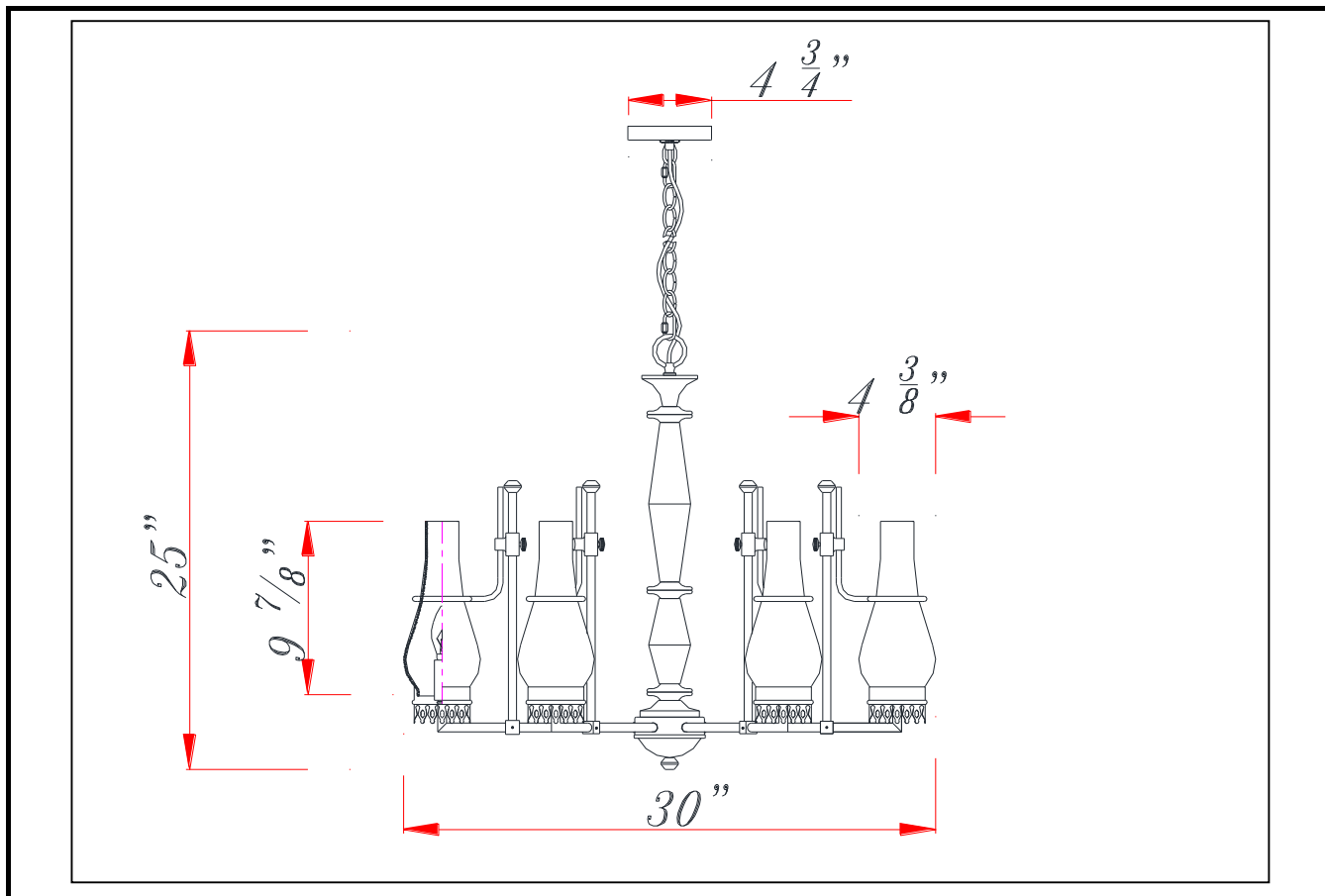
Type: _____

Project: _____

Catalog No.: _____

Lamp/Wattage: _____

Drawing:



- Model No:** FX-3564/6
- Description:** Trenton Chandelier with Bubbled clear Glass Shade
- Material:** Metal/Glass/Wood
- Finish :** Metal/Wood
- Height:** 25"
- Width:** 30"
- Wattage :** 60W x 6
- Socket :** Candelabra Base (E12)
- Bulb:** Incandescent
- Chain Length:** 6'
- Wire Length:** 10'
- Wire Color:** Black
- Shade No:**
- Material:** Glass
- Shade size:** 4 3/8"x4 3/8"x 9 7/8"

