



# CAL LIGHTING

3625 E. Philadelphia St. Ontario CA. 91761 • Tel: 909.947.5200 • Fax:  
909.947.5673 • www.calighting.com • service@calighting.com •  
Specifications subject to change without notice

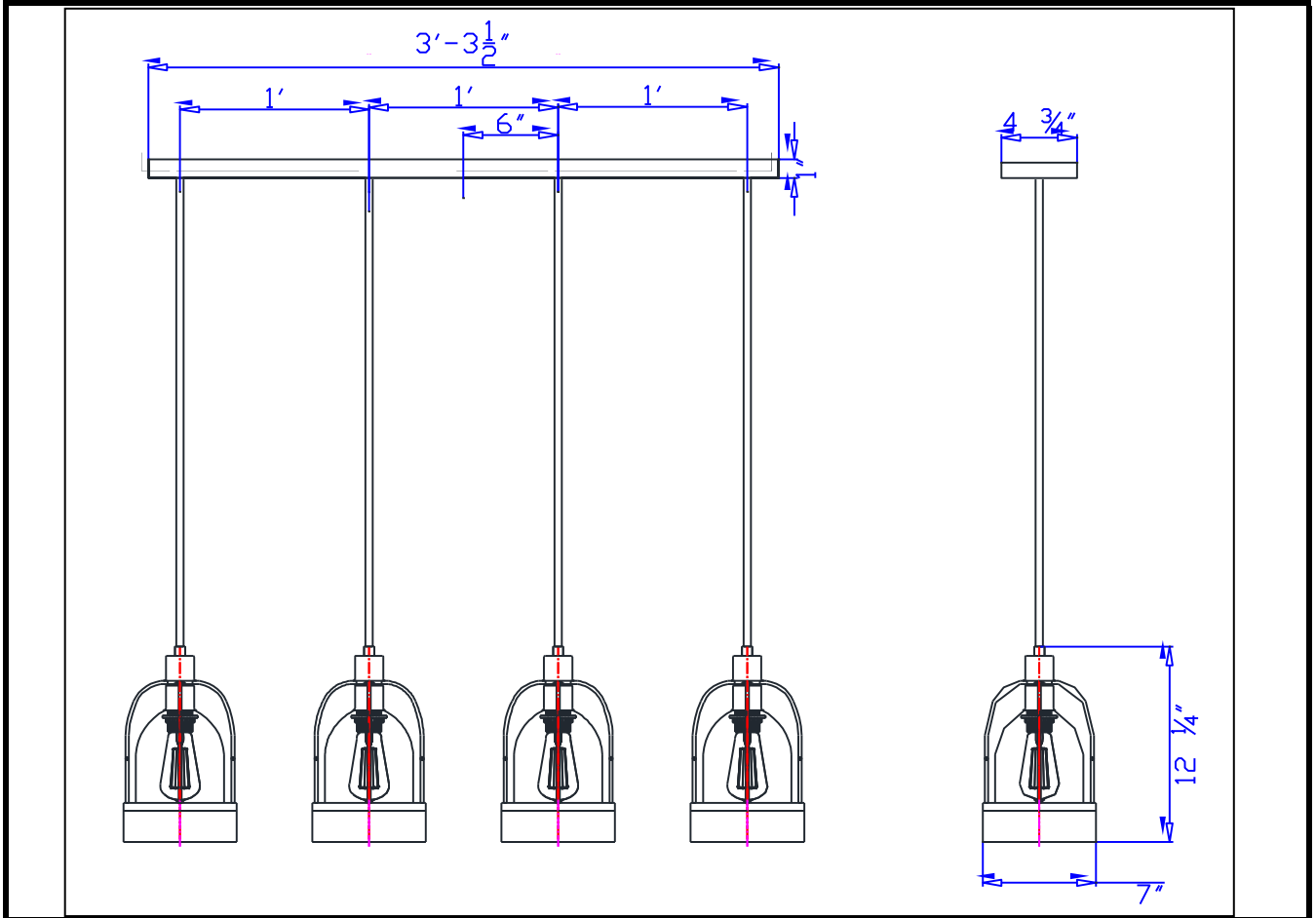
Type: \_\_\_\_\_

Project: \_\_\_\_\_

Catalog No.: \_\_\_\_\_

Lamp/Wattage: \_\_\_\_\_

Drawing:



- Model No:** FX-3584-4
- Description:** Beacon glass/wood island fixture
- Material:** Metal+Glass+WOOD
- Finish :** Wood/Dark Bronze
- Height:** 12 1/4"
- Width:** 7"
- Wattage :** 60Wx4
- Socket :** Medium Base (E27)
- Bulb:** Incandescent
- Chain Length:**
- Wire Length:** 6'
- Wire Color:** Black
- Shade No:**
- Material:**
- Shade size:**
- Certificate :**

