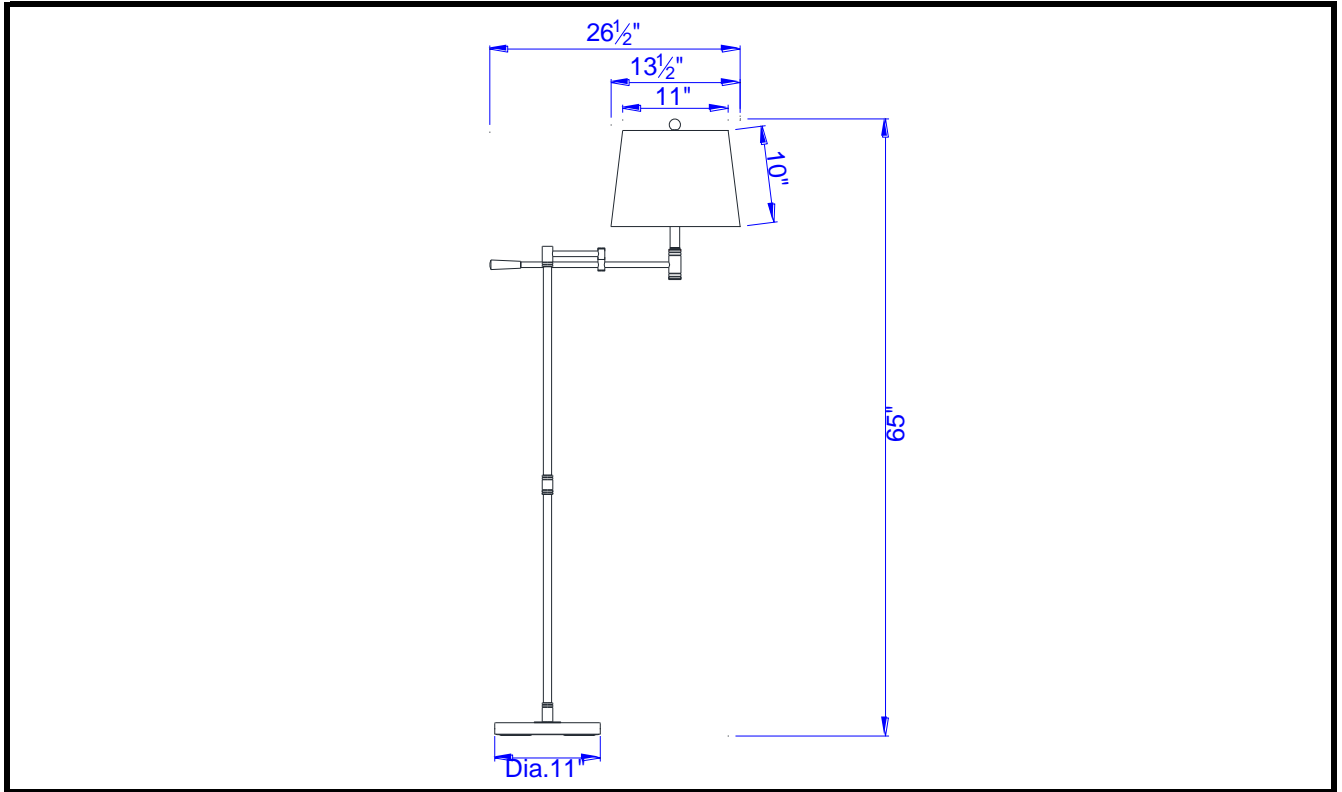




CAL LIGHTING

3625 E. Philadelphia St. Ontario CA. 91761 • Tel: 909.947.5200 • Fax:
909.947.5673 • www.calighting.com • service@calighting.com •
Specifications subject to change without notice

Type: _____
Project: _____
Catalog No.: _____
Lamp/Wattage: _____



- Model No:** BO-2715FL
- Description:** 100W Monticello metal swing arm floor lamp with burlap shade
- Material:** Metal
- Finish :** Oil Rubbed Bronze
- Height:** 65"
- Reach:** 26 1/2"
- Base Width:** Dia. 11"
- Wattage :** 100W
- Socket :** Medium Base (E26)
- Switch:** On/off
- Bulb:** Incandescent, CFL
- Wire Length:** 6'
- Wire Color:** Black
- Shade No:**
- Material:** Fabric
- Shade size:** 11"x13 1/2"x10"

Certificate :

